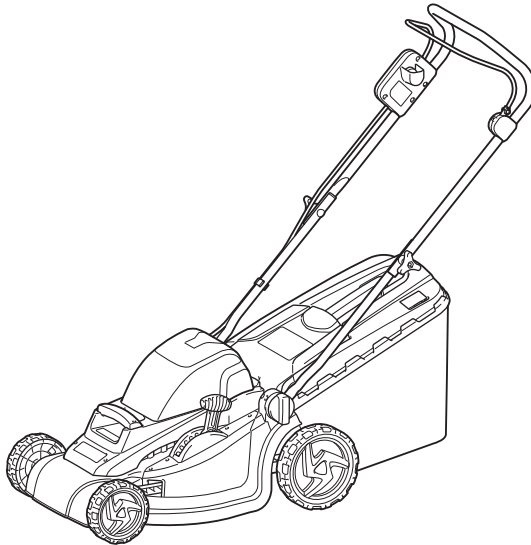
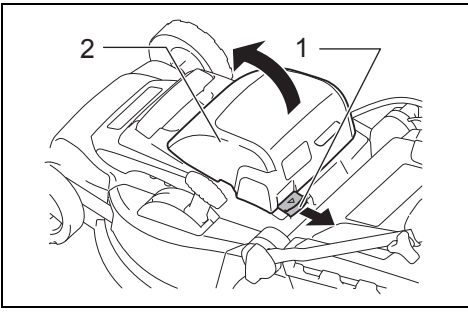




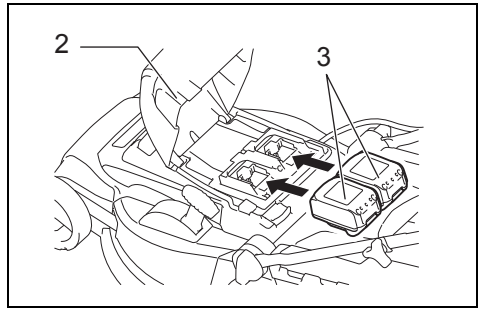
GB	Cordless Lawn Mower	Instruction Manual
F	Tondeuse Sans Fil	Manuel d'instructions
D	Akku Rasenmäher	Betriebsanleitung
I	Tosaerba a batteria	Istruzioni per l'uso
NL	Snoerloze grasmaaier	Gebruiksaanwijzing
E	Cortadora de Cesped	Manual de instrucciones
P	Cortadora de Grama a Bateria	Manual de instruções
DK	Akku-plæneklipper	Brugsanvisning
GR	Μηχανή γκαζόν με μπαταρία	Οδηγίες χρήσεως
TR	Akülü Çim Biçme Makinesi	Kullanma kılavuzu

DLM380

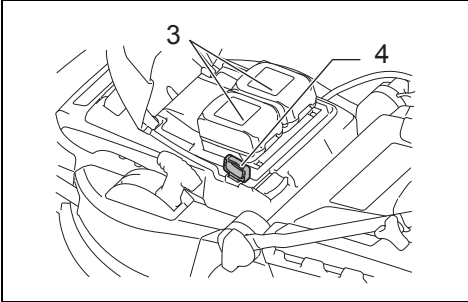




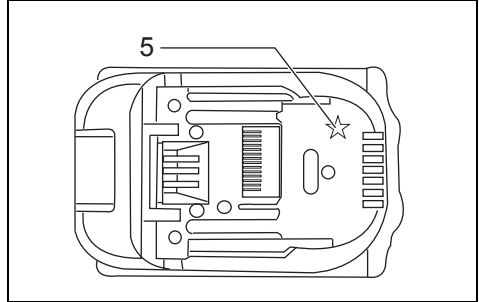
1 014484



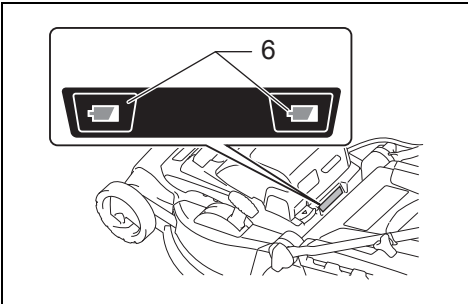
2 014504



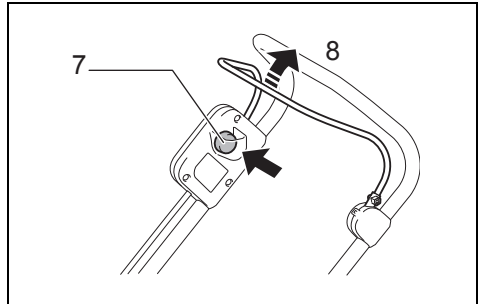
3 014485



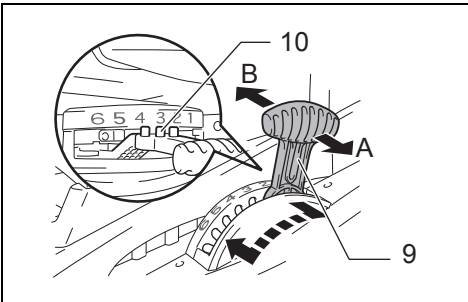
4 012128



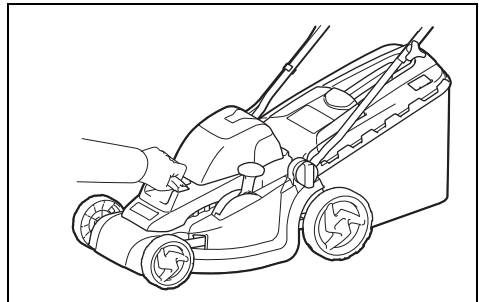
5 014503



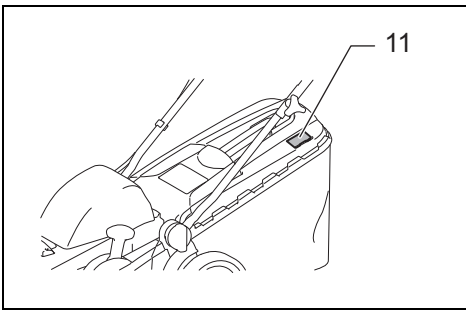
6 014488



7 014486

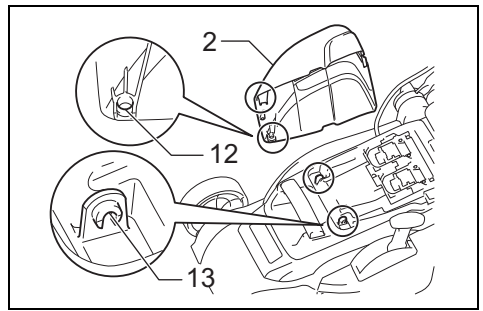


8 014928



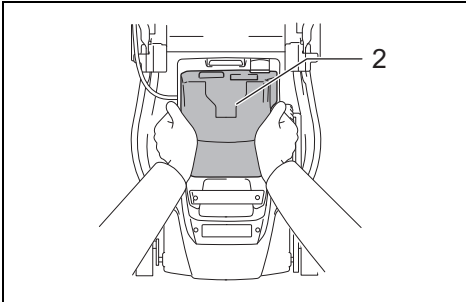
9

014493



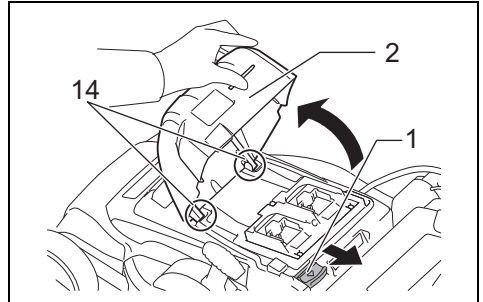
10

014999



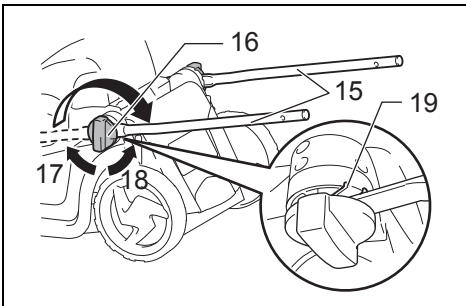
11

015000



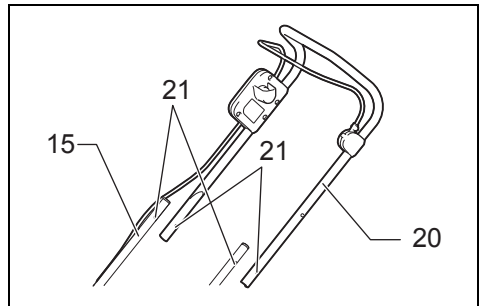
12

015002



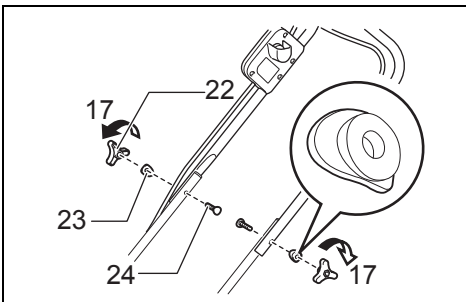
13

014478



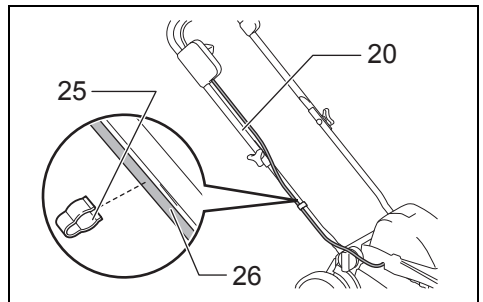
14

014479



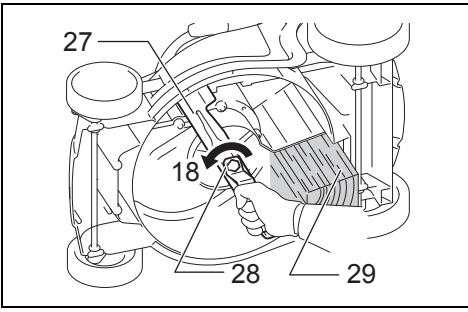
15

014480



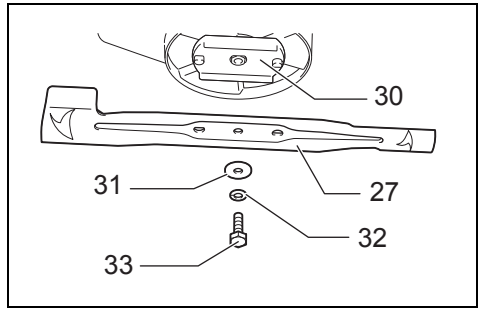
16

014481



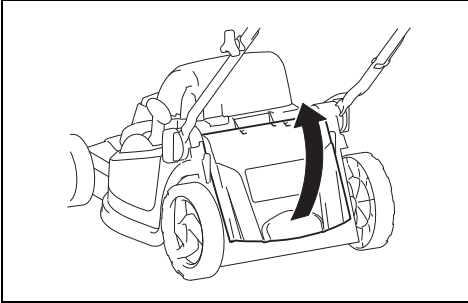
17

014498



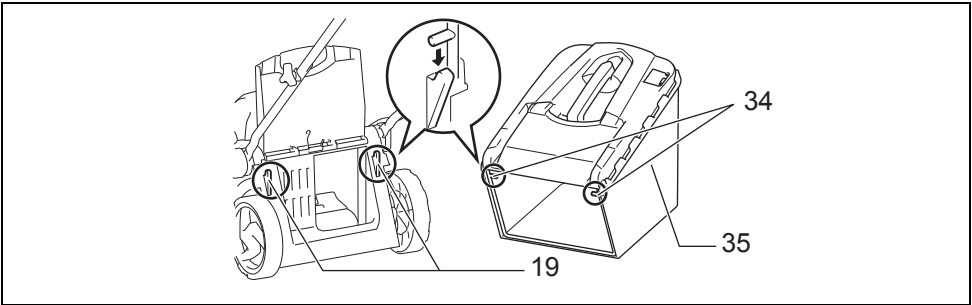
18

014499



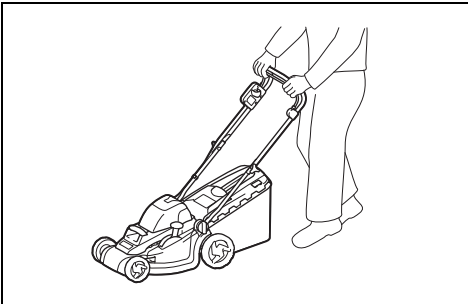
19

014483



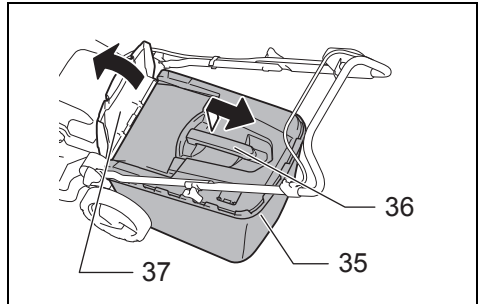
20

014482



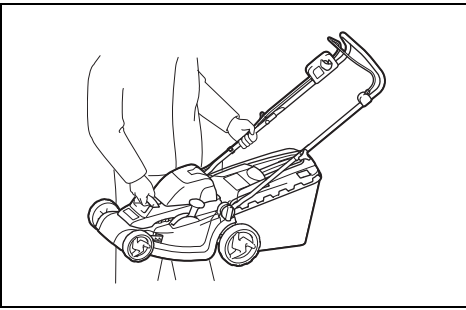
21

014489



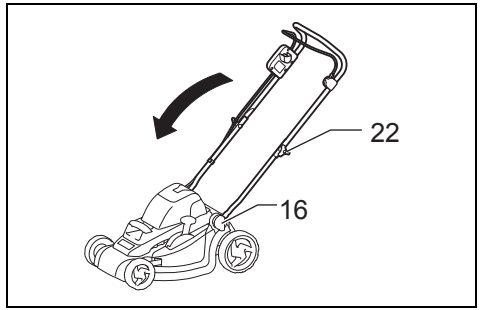
22

014492



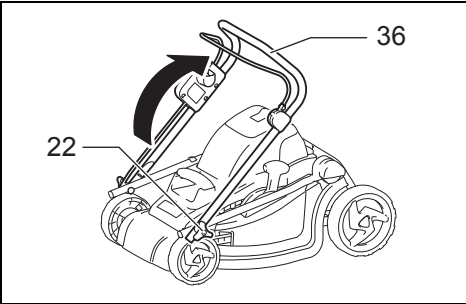
23

014494



24

014495



25

014496

Explanation of general view

1 Battery cover locking lever	14 Pivot point	27 Blade
2 Battery cover	15 Lower handle	28 Wrench
3 Battery cartridge	16 Clamping screw	29 Lumber
4 Lock key	17 Tighten	30 Blade support
5 Star marking	18 Loosen	31 Flat washer
6 Battery indicator	19 Groove	32 Spring washer
7 Switch button	20 Upper handle	33 Bolt
8 Switch lever	21 Holes	34 Hook
9 Mowing height adjusting lever	22 Clamping nut	35 Grass basket
10 Pins	23 Curl washer	36 Handle
11 Grass level indicator	24 Screw	37 Rear guard
12 Hole	25 Holder	
13 Protrusion	26 Cord	

SPECIFICATIONS

Model		DLM380	
Mowing width		380 mm	
No load speed		3,700 min ⁻¹	
Dimensions (L x W x H)	during operation	1,145 mm x 465 mm x 1,023 mm – 1,070 mm	
	when stored	680 mm x 470 mm x 505 mm	
Rated voltage		D.C. 36 V	
Standard battery cartridge(s) ⚠ Warning: Use only the battery cartridge(s) described.		BL1815N	BL1830 / BL1840
Net weight		14.5 kg	15.0 kg

- Due to our continuing program of research and development, the specifications herein are subject to change without notice.
- Specifications and battery cartridge may differ from country to country.
- Weight, with battery cartridge, according to EPTA-Procedure 01/2003



- Only for EU countries
Do not dispose of electric equipment or battery pack together with household waste material!
In observance of the European Directives, on Waste Electric and Electronic Equipment and Batteries and Accumulators and Waste Batteries and Accumulators and their implementation in accordance with national laws, electric equipment and batteries and battery pack(s) that have reached the end of their life must be collected separately and returned to an environmentally compatible recycling facility.

END016-5

SYMBOLS

The following show the symbols used for the equipment. Be sure that you understand their meaning before use.

- Take particular care and attention.
- Read instruction manual.
- Danger; be aware of thrown objects.
- The distance between the tool and bystanders must be at least 15 m.
- Never put your hands and feet near the blade under the mower.
- Remove the lock key before inspecting, adjusting, cleaning, servicing, leaving and storing the mower.

GEB091-6

IMPORTANT SAFETY INSTRUCTIONS

⚠ WARNING! Read all safety warnings and all instructions. Failure to follow the warnings and instructions may result in electric shock, fire and/or serious injury.

Save all warnings and instructions for future reference.

- 1. Do not insert key into mower until it is ready to be used.**

2. This appliance is not intended for use by persons (including children) with reduced physical, sensory or mental capabilities, or lack of experience and knowledge, unless they have been given supervision or instruction concerning use of the appliance by a person responsible for their safety.
3. Children should be supervised to ensure that they do not play with the appliance.
4. Never allow children or people unfamiliar with these instructions to use the machine. Local regulations can restrict the age of the operator.
5. Never operate the machine while people, especially children, or pets are nearby.
6. Keep in mind that the operator or user is responsible for accidents or hazards occurring to other people or their property.
7. While operating the machine always wear substantial footwear and long trousers. Do not operate the machine when barefoot or wearing open sandals. Avoid wearing clothing or jewelry that is loose fitting or that has hanging cords or ties. They can be caught in moving parts.
8. Operate the machine only in daylight or in good artificial light.
9. Avoid operating the machine in wet grass.
10. Never operate the mower in the rain.
11. **Battery tool use and care**
 - **Recharge only with the charger specified by the manufacturer.** A charger that is suitable for one type of battery cartridge may create a risk of fire when used with another battery cartridge.
 - **Use power tools only with specifically designated battery cartridges.** Use of any other battery cartridges may create a risk of injury and fire.
 - **When battery cartridge is not in use, keep it away from other metal objects, like paper clips, coins, keys, nails, screws or other small metal objects, that can make a connection from one terminal to another.** Shorting the battery terminals together may cause burns or a fire.
 - **Under abusive conditions, liquid may be ejected from the battery; avoid contact. If contact accidentally occurs, flush with water. If liquid contacts eyes, additionally seek medical help.** Liquid ejected from the battery may cause irritation or burns.
12. **Always keep a firm hold on the handle.**
13. **Always be sure of your footing on slopes.**
14. **Walk, never run.**
15. **Don't grasp the exposed cutting blades or cutting edges when picking up or holding the appliance.**
16. **Physical condition — Do not operate mower while under the influence of drugs, alcohol, or any medication.**
17. **Keep guards in place and in working order.**
18. **Keep hands and feet away from rotating blades. Caution — Blades coast after turn off.**
19. **Remove key before servicing, cleaning or removing material from the gardening appliance.**
20. **Use only the manufacturer genuine blades specified in this manual.**
21. **Check the blades carefully for cracks or damage before operation. Replace cracked or damaged blades immediately.**
22. **Be sure the area is clear of other people before mowing. Stop mower if anyone enters the area.**
23. **Remove foreign matters such as rocks, wire, bottles, bones and large sticks from the work area before mowing to prevent personal injury or damage to the mower.**
24. **Stop operation immediately if you notice anything unusual. Switch off the mower and remove the key from the appliance. Then inspect the mower.**
25. **Never attempt to make wheel height adjustments while mower is running.**
26. **Release switch lever and wait for blade rotation to stop before crossing driveways, walks, roads, and any gravel-covered areas. Also remove key if you leave it, reach to pick up or remove something out of your way, or for any other reason that may distract you from what you are doing.**
27. **Objects struck by the lawn mower blade can cause severe injuries to persons. The lawn should always be carefully examined and cleared of all objects prior to each mowing.**
28. **If lawn mower strikes a foreign object, follow these steps:**
 - **Stop the mower, release the switch lever and wait until the blade comes to a complete stop.**
 - **Remove the lock key and the battery cartridge.**
 - **Thoroughly inspect the mower for any damage.**
 - **Replace the blade if it is damaged in any way. Repair any damage before restarting and continuing to operate the mower.**
29. **Check the rear bag frequently for wear or deterioration. For storage, always make sure the rear bag is empty. Replace a worn bag with a new factory replacement bag for safety.**
30. **Stop the motor and remove key whenever you leave the equipment, before cleaning the mower housing, and before making any repairs or inspections.**
31. **Use extreme caution when reversing or pulling the machine towards you.**
32. **Stop the blade(s) if the machine has to be tilted for transportation when crossing surfaces other than grass, and when transporting the machine to and from the area to be used.**
33. **Never operate the machine with defective guards or shields, or without safety devices, for example deflectors and/or grass collector, in place.**
34. **Switch on the motor carefully according to instructions and with feet well away from the blade(s).**
35. **Do not tilt the machine when switching on the motor, except if the machine has to be tilted for starting. In this case, do not tilt it more than absolutely necessary and lift only the part, which is away from the operator.**
36. **Do not start the machine when standing in front of the discharge opening.**

37. Do not put hands or feet near or under rotating parts. Keep clear of the discharge opening at all times.
 38. Do not transport the machine while the mower is turned on.
 39. Stop the machine, and remove the disabling device. Make sure that all moving parts have come to a complete stop
 - whenever you leave the machine,
 - before clearing blockages or unclogging chute,
 - before checking, cleaning or working on the machine,
 - after striking a foreign object. Inspect the machine for damage and make repairs before restarting and operating the machine;
 40. If the machine starts to vibrate abnormally (check immediately)
 - inspect for damage,
 - replace or repair any damaged parts,
 - check for and tighten any loose parts.
 41. Be careful during adjustment of the machine to prevent entrapment of the fingers between moving blades and fixed parts of the machine.
 42. Mow across the face of slopes, never up and down. Exercise extreme caution when changing direction on slopes. Do not mow excessively steep slopes.
 43. Do not wash with a hose; avoid getting water in motor and electrical connections.
 44. Check the blade mounting bolt at frequent intervals for proper tightness.
 45. Keep all nuts, bolts, and screws tight to be sure the equipment is in safe working condition.
 46. Always allow the machine to cool down before storing.
 47. When servicing the blades be aware that, even though the power source is switched off, the blades can still be moved.
 48. Replace worn or damaged parts for safety. Use only genuine replacement parts and accessories.
4. If electrolyte gets into your eyes, rinse them out with clear water and seek medical attention right away. It may result in loss of your eyesight.
 5. Do not short the battery cartridge:
 - (1) Do not touch the terminals with any conductive material.
 - (2) Avoid storing battery cartridge in a container with other metal objects such as nails, coins, etc.
 - (3) Do not expose battery cartridge to water or rain.
A battery short can cause a large current flow, overheating, possible burns and even a breakdown.
 6. Do not store the tool and battery cartridge in locations where the temperature may reach or exceed 50°C (122°F).
 7. Do not incinerate the battery cartridge even if it is severely damaged or is completely worn out. The battery cartridge can explode in a fire.
 8. Be careful not to drop or strike battery.
 9. Do not use a damaged battery.
 10. Follow your local regulations relating to disposal of battery.

SAVE THESE INSTRUCTIONS.

Tips for maintaining maximum battery life

1. Charge the battery cartridge before completely discharged.
Always stop tool operation and charge the battery cartridge when you notice less tool power.
2. Never recharge a fully charged battery cartridge. Overcharging shortens the battery service life.
3. Charge the battery cartridge with room temperature at 10°C – 40°C (50°F – 104°F). Let a hot battery cartridge cool down before charging it.
4. Charge the battery cartridge once in every six months if you do not use it for a long period of time.

SAVE THESE INSTRUCTIONS.

WARNING:

DO NOT let comfort or familiarity with product (gained from repeated use) replace strict adherence to safety rules for the subject product. MISUSE or failure to follow the safety rules stated in this instruction manual may cause serious personal injury.

ENC007-8

IMPORTANT SAFETY INSTRUCTIONS

FOR BATTERY CARTRIDGE

1. Before using battery cartridge, read all instructions and cautionary markings on (1) battery charger, (2) battery, and (3) product using battery.
2. Do not disassemble battery cartridge.
3. If operating time has become excessively shorter, stop operating immediately. It may result in a risk of overheating, possible burns and even an explosion.

FUNCTIONAL DESCRIPTION

Installing or removing battery cartridge

CAUTION:

- Always switch off the tool before installing or removing the battery cartridge.
- Make sure that you lock the battery cover before use. Otherwise, mud, dirt, or water may cause damage to the product or the battery cartridge.
- Always install the battery cartridge fully until the red indicator cannot be seen. If not, it may accidentally fall out of the tool, causing injury to you or someone around you.
- Do not install the battery cartridge forcibly. If the cartridge does not slide in easily, it is not being inserted correctly.

NOTE:

- The tool does not work with only one battery cartridge.

To install the battery cartridge;

1. Pull the battery cover locking lever toward yourself and open the battery cover. (Fig. 1)
2. To install the battery cartridge, align the tongue on the battery cartridge with the groove in the housing and slip it into place. Insert it all the way until it locks in place with a little click. If you can see the red indicator on the upper side of the button, it is not locked completely. (Fig. 2)
3. Insert the lock key in the place shown in the figure as far as it will go. (Fig. 3)
4. Close the battery cover and push it on until it is latched with the locking lever.

To remove the battery cartridge from the mower;

1. Pull the battery cover locking lever toward yourself and open the battery cover.
2. Slide it from the tool while sliding the button on the front of the cartridge.
3. Pull out the lock key.
4. Close the battery cover.

Battery protection system

The tool is equipped with a tool/battery protection system. This system automatically cuts off power to the motor to extend tool and battery life.

The tool will automatically stop during operation if the tool or battery is placed under one of the following conditions. In some conditions, the indicators light up.

Overload protection

When the tool is operated in a manner that causes it to draw an abnormally high current, the tool automatically stops without any indication. In this situation, turn the tool off and stop the application that caused the tool to become overloaded. Then turn the tool on to restart.

Overheat protection

When the tool or battery is overheated, the tool stops automatically without any indications. The tool does not start even if turning on the tool. In this situation, let the tool or battery cool before turning the tool on again.

NOTE:

- The battery overheat protection works only with a battery cartridge with a star marking. The tool overheat protection system works with any battery cartridges. (Fig. 4)

Overdischarge protection (Fig. 5)

When the remaining battery capacity gets low, the battery indicator blinks on the applicable battery side. By further use, the tool stops and the battery indicator lights up about 10 seconds. In this situation, charge the battery cartridge.

Power switch action

WARNING:

- **Before installing the battery cartridge in the tool, always check to see that the switch lever actuates properly and returns to the original position when released.** Operating a tool with a switch that does not actuate properly can lead to loss of control and serious personal injury.

NOTE:

- Trying to mow much grass at a time may not allow the motor to start due to the overload. At this time, change the mowing height to higher level to restart.

- The mower does not start without pressing the switch button even if the switch lever is pulled.

This mower is equipped with the interlock switch and handle switch. If you notice anything unusual with either of these switches, stop operation immediately and have them checked by your nearest Makita Authorized Service Center.

1. Install the battery cartridges. Insert the lock key into the interlock switch and then close the battery cover. (Fig. 3)
2. Press the switch button.
3. Pull the switch lever toward you while pressing the switch button.
4. Release the switch button as soon as the motor starts running. The mower will continue to run until you release the switch lever. (Fig. 6)
5. Release the switch lever to stop the motor.
6. When not in use, remove the lock key. Store the lock key in a safe place out of reach of children.

Adjusting the mowing height (Fig. 7)

WARNING:

- Never put your hand or leg under the mower unit when adjusting the mowing height.
- Always make sure that the lever fits in the groove properly before operation.

The mowing height can be adjusted in the range of between 25 mm – 75 mm.

1. Remove the lock key.
2. Pull the mowing height adjusting lever toward A side. Move it to your desired mowing height level. Make sure that the pins on the mowing height adjusting lever fit in the holes and the lever returns to B side.

NOTE:

- The mowing height figures should be used just as a guideline, as the state of the lawn or ground may cause lawn height to be slightly different to the set height figure.
- Try a test mowing of grass in a less conspicuous place to get your desired height.
- It is easier to move the mowing height adjusting lever with holding the tool firmly. (Fig. 8)

Grass level indicator (Fig. 9)

Grass level indicator shows the volume of caught grass.

- When the grass basket is not full, the indicator floats during mowing.
- When the grass basket is full, the indicator does not float during mowing. In this case, stop mowing immediately and empty the basket. After emptying the basket, clean it so that its meshwork vents the air.

NOTE:

- This indicator is rough guide. Depending on the conditions of inside of the basket, this indicator may not work properly.

ASSEMBLY

WARNING:

- **Always be sure that the lock key and battery cartridge are removed before carrying out any work on the mower.** Failure to remove the lock key and the battery cartridge may result in serious personal injury from accidental start-up.
- **Never start the tool unless it is completely assembled.** Operation of the tool in a partially assembled state may result in serious personal injury from accidental start-up.

Installing the battery cover

WARNING:

- Do not insert the lock key and battery cartridge before installing the battery cover. Failure to do so may cause a serious injury.

Install the battery cover completely before operating the tool to protect the tool and battery cartridge from mud, dirt, or water.

1. Place the battery cover on the tool with aligning the protrusions on the tool and the holes of the battery cover. (Fig. 10)
2. Place your hands in the middle of the battery cover and depress it. (Fig. 11)
3. Before the first operation, check that the pivot point of the battery cover is assembled properly. To check it, pull the battery cover locking lever toward yourself and open the battery cover. (Fig. 12)

Installing the handle (Fig. 13, 14 & 15)

WARNING:

- When installing handles, position the wires so that they are not caught by anything in between the handles.

1. Loosen the clamping screws (two pcs).
2. Expand the lower handle to its both sides and with it expanded in that position pivot it backward and then fit it in the groove in the deck.
3. Tighten the clamping screws on both sides to secure the lower handle.
4. Raise the upper handle and align the screw holes in the upper handle with those in the lower handle. Secure them with the supplied screws, curl washers and clamping nuts.

NOTE:

- At this time, keep a firm grip on the upper handle so that it does not drop off your hand.

NOTE:

- Install the upper handle so that the direction of the upper handle and the power supply cord are positioned as shown in the figure. (Fig. 16)

Removing or installing the blade (Fig. 17 & 18)

WARNING:

- Always remove the lock key and battery cartridge when removing or installing the blade. Failure to remove the lock key and battery cartridge may cause a serious injury.
 - The blade coasts for a few seconds after releasing the switch. Make sure that the blade has come to a complete stop.
 - Always wear gloves when handling the blade.
1. Put the mower on its side so that the mowing height adjusting lever is placed on the upper side.

2. To lock the blade, insert a lumber or similar into the mower.
3. Loosen the bolt counterclockwise with the box wrench.
4. Remove the bolt, spring washer, flat washer, and blade in order.

To install the blade, take the blade removal procedure in reverse.

WARNING:

- Install blade carefully as they have a top/bottom facing.
- Tighten the bolt clockwise firmly to secure the blade.
- Put the blade so that the blade side with a rotational direction arrow faces outward.
- Make sure that the blade is installed securely.

Installing the grass basket (Fig. 19 & 20)

Remove the lock key.

Raise the rear guard of the mower unit.

Hook the grass basket on the groove of the mower unit.

OPERATION

Mowing

WARNING:

- Before mowing, clear away sticks and stones from mowing area. Furthermore, clear away any weeds from mowing area in advance.
- Always wear the safety goggles or safety glasses with side shields when operating the mower.

Firmly hold the lawn mower handle with both hands when mowing.

The width between the middle of the front wheels shows the guideline of the mowing range. For even mowing, overlap the mowing area partially to the previous mowed area.

Periodically check the level of the grass basket, and empty before it becomes full. Before every periodical check, be sure to stop the mower and remove the lock key and the battery cartridge.

NOTE:

- Using the lawn mower with the grass basket full prevents smooth blade rotation and places an extra load on the motor, which may cause breakdown.

Mowing a long-grass lawn (Fig. 21)

Do not try to cut long grass all in one go. Instead, mow the lawn in stages, leaving it for a day or two between mows, until the lawn is evenly short.

NOTE:

- Mowing long grass to a short length all in one go may cause the grass to die and/or block up the inside of the main unit.

Emptying the grass basket (Fig. 22)

WARNING:

- To reduce a risk of accident, regularly check the grass basket for any damage or weakened strength and replace it if necessary.

1. Release the switch lever.
2. Remove the lock key.
3. Open the rear guard and take out the grass basket with its handle.
4. Empty the grass basket.

MAINTENANCE & STORAGE

WARNING:

- Always be sure that the lock key and battery cartridge are removed from the mower before storage or attempting to perform inspection or maintenance.
- Wear gloves when performing inspection or maintenance.

CAUTION:

- Never use gasoline, benzene, thinner, alcohol or the like. Discoloration, deformation or cracks may result.

MAINTENANCE

1. REMOVE THE LOCK KEY. Store it in a safe place out of the reach of children.
2. Clean your mower using only mild soap and a damp cloth. Do not spray or pour water on your mower when cleaning.
3. Turn mower on its side and clean grass clippings that have accumulated on the underside of mower deck.
4. Check all nuts, bolts, knobs, screws, fasteners etc. for tightness.
5. Inspect moving parts for damage, breakage, and wear. Have repairs made on any damaged or missing parts.
6. Before storing the mower, remove the battery cartridge from it.
7. Store mower indoors in a cool, dry and locked place. Don't store the mower and charger in locations where the temperature may reach or exceed 40°C (104°F).

Storage (Fig. 23, 24 & 25)

WARNING:

- When carrying or storing the mower, hold both the handle and front grip of the mower. Only holding the handles may cause a serious injury or damage to the mower.
1. Loosen the clamping screw, expand the lower handle to both sides and then move down the handle forward. At this time, keep a firm grip on the front grip so that it does not fall down to the far side from the tool.
 2. Loosen the clamping nut and pivot the upper handle back.

To maintain product SAFETY and RELIABILITY, repairs, any other maintenance or adjustment should be performed by Makita Authorized Service Centers, always using Makita replacement parts.

TROUBLE SHOOTING

Before asking for repairs, conduct your own inspection first. If you find a problem that is not explained in the manual, do not attempt to dismantle the tool. Instead, ask Makita Authorized Service Centers, always using Makita replacement parts for repairs.

Malfunction status	Cause	Action
Mower does not start.	Two battery cartridges are not installed.	Install the charged battery cartridges.
	Battery problem (under voltage)	Recharge the battery cartridge. If recharging is not effective, replace battery cartridge.
	The lock key is not inserted.	Insert the lock key.
Motor stops running after a little use.	Battery's charge level is low.	Recharge the battery cartridge. If recharging is not effective, replace battery cartridge.
	Cutting height set is too low.	Raise the height.
It does not reach maximum RPM.	Battery cartridge is installed improperly.	Install the battery cartridge as described in this manual.
	Battery power is dropping.	Recharge the battery cartridge. If recharging is not effective, replace battery cartridge.
	The drive system does not work correctly.	Ask your local authorized service center for repair.
Cutting tool does not rotate: stop the machine immediately!	Foreign object such as a branch is jammed near the blade.	Remove the foreign object.
	The drive system does not work correctly.	Ask your local authorized service center for repair.
Abnormal vibration: stop the machine immediately!	Blade is imbalanced, excessively or unevenly worn.	Replace the blade.

014546

OPTIONAL ACCESSORIES

ENG900-1

⚠ CAUTION:

- These accessories or attachments are recommended for use with your Makita tool specified in this manual. The use of any other accessories or attachments might present a risk of injury to persons. Only use accessory or attachment for its stated purpose.

If you need any assistance for more details regarding these accessories, ask your local Makita Service Center.

- Blade
- Makita genuine battery and charger

NOTE:

- Some items in the list may be included in the tool package as standard accessories. They may differ from country to country.

ENG905-1

Noise

The typical A-weighted noise level determined according to 2000/14/EC:

Sound pressure level (L_{pA}): 81 dB (A)

Sound power level (L_{WA}): 93 dB (A)

Uncertainty (K): 3 dB (A)

Wear ear protection

Vibration

The vibration total value (tri-axial vector sum) determined according to EN60335:

Vibration emission (a_{hv}): 2.5 m/s² or less

Uncertainty (K): 1.5 m/s²

ENG901-1

- The declared vibration emission value has been measured in accordance with the standard test method and may be used for comparing one tool with another.
- The declared vibration emission value may also be used in a preliminary assessment of exposure.

⚠ WARNING:

- The vibration emission during actual use of the power tool can differ from the declared emission value depending on the ways in which the tool is used.
- Be sure to identify safety measures to protect the operator that are based on an estimation of exposure in the actual conditions of use (taking account of all parts of the operating cycle such as the times when the tool is switched off and when it is running idle in addition to the trigger time).

For European countries only

EC Declaration of Conformity

Makita declares that the following Machine(s):

Designation of Machine:
Cordless Lawn Mower
Model No./Type: DLM380
Specifications: see "SPECIFICATIONS" table.

Conforms to the following European Directives:

2000/14/EC, 2006/42/EC

They are manufactured in accordance with the following
Standard or standardized documents:

EN60335

The Technical file in accordance with 2006/42/EC is
available from:

Makita International Europe Ltd.
Technical Department,
Michigan Drive, Tongwell,
Milton Keynes, Bucks MK15 8JD, England

The conformity assessment procedure required by
Directive 2000/14/EC was in Accordance with annex VI

Notified Body:

TÜV Rheinland LGA Products GmbH
Tillystraße 2
90431 Nürnberg, Germany
Identification number 0197

Measured Sound Power Level: 93 dB (A)

Guaranteed Sound Power Level: 94 dB (A)

1.10.2013



Tomoyasu Kato
Director

Makita Corporation
3-11-8, Sumiyoshi-cho,
Anjo, Aichi, 446-8502, JAPAN

Descriptif

1 Levier de verrouillage du couvercle de batterie	12 Trou	26 Cordon
2 Couvercle de batterie	13 Partie saillante	27 Lame
3 Batterie	14 Point d'articulation	28 Clé
4 Clé de sécurité	15 Poignée inférieure	29 Bûche
5 Marque en forme d'étoile	16 Vis de serrage	30 Porte-lame
6 Témoin de capacité restante de la batterie	17 Serrer	31 Rondelle plate
7 Bouton d'interrupteur	18 Desserrer	32 Rondelle à ressort
8 Levier d'interrupteur	19 Rainure	33 Boulon
9 Levier de réglage de la hauteur de tonte	20 Poignée supérieure	34 Crochet
10 Ergots	21 Trous	35 Panier à gazon
11 Témoin de niveau d'herbe	22 Écrou de serrage	36 Poignée
	23 Rondelle courbée	37 Carter de protection arrière
	24 Vis	
	25 Support	

SPÉCIFICATIONS

Modèle		DLM380	
Largeur de tonte		380 mm	
Vitesse à vide		3 700 min ⁻¹	
Dimensions (L x l x H)	pendant l'utilisation	1 145 mm x 465 mm x 1 023 mm – 1 070 mm	
	pendant le rangement	680 mm x 470 mm x 505 mm	
Tension nominale		36 V CC	
Batterie(s) standard ⚠ Avertissement : Utilisez exclusivement les batteries spécifiées.		BL1815N	BL1830 / BL1840
Poids net		14,5 kg	15,0 kg

- Étant donné l'évolution constante de notre programme de recherche et de développement, les spécifications contenues dans ce manuel sont sujettes à modification sans préavis.
- Les spécifications et la batterie peuvent être différentes suivant les pays.
- Poids, avec la batterie, conformément à la procédure EPTA-01/2003



- Retirez la clé de sécurité avant d'inspecter, de régler, de nettoyer, de réparer, de laisser sans surveillance ou de ranger la tondeuse.






- Uniquement pour les pays de l'UE
Ne pas jeter les appareils électriques et les batteries avec les ordures ménagères !

Conformément à la directive européenne relative aux déchets d'équipements électriques et électroniques (DEEE) et à la directive européenne relative aux piles et accumulateurs ainsi qu'aux déchets de piles et accumulateurs et à leur transposition dans la législation nationale, les équipements électriques, les piles et assemblages en batterie qui ont atteint la fin de leur durée de service doivent être collectés à part et être soumis à un recyclage respectueux de l'environnement.

END016-5

SYMBOLES

Nous donnons ci-dessous les symboles utilisés pour l'outil. Assurez-vous que vous en avez bien compris la signification avant d'utiliser l'outil.

-  • Veuillez être prudent et rester attentif.
-  • Lire le mode d'emploi.
-  • Danger : prenez garde aux objets éjectés.
-  • La distance entre l'outil et les personnes présentes doit être d'au moins 15 m.
-  • Ne mettez jamais les mains ou les pieds près de la lame sous la tondeuse.

CONSIGNES DE SÉCURITÉ IMPORTANTES

⚠ AVERTISSEMENT ! Veuillez lire toutes les mises en garde et toutes les instructions. Il y a risque de choc électrique, d'incendie et/ou de blessure grave si les mises en garde et les instructions ne sont pas respectées.

Conservez toutes les mises en garde et instructions pour référence ultérieure.

1. N'insérez la clé dans la tondeuse qu'une fois celle-ci prête pour l'utilisation.
 2. Cet appareil n'est pas conçu pour l'utilisation par des personnes (y compris les enfants) atteintes d'un handicap physique, sensoriel ou mental, ainsi que par des personnes ne possédant pas l'expérience et les connaissances nécessaires, à moins qu'elles ne soient supervisées ou n'aient reçu des instructions sur l'utilisation de l'appareil par une personne responsable de leur sécurité.
 3. Les enfants doivent être surveillés pour s'assurer qu'ils ne jouent pas avec l'appareil.
 4. Ne laissez jamais les enfants et personnes non familières avec ces instructions utiliser la machine. Les réglementations locales peuvent spécifier un âge minimum pour l'utilisation.
 5. N'utilisez jamais la machine alors que des personnes — et tout particulièrement des enfants — ou des animaux domestiques se trouvent à proximité.
 6. Gardez à l'esprit que l'opérateur ou l'utilisateur est responsable des accidents ou risques encourus par les personnes ou leur propriété.
 7. Pendant l'utilisation de la machine, portez toujours des chaussures résistantes et un pantalon long. N'utilisez pas la machine pieds nus ou avec des sandales qui laissent les pieds partiellement découverts. Évitez de porter des vêtements et bijoux amples ou dotés de cordons ou attaches qui pendent. Les pièces mobiles risqueraient de les happer.
 8. N'utilisez la machine qu'à la lumière du jour ou sous un bon éclairage artificiel.
 9. Évitez d'utiliser la machine sur du gazon mouillé.
 10. N'utilisez jamais la tondeuse sous la pluie.
 11. **Utilisation et entretien de la batterie**
 - Ne rechargez qu'avec le chargeur spécifié par le fabricant. Un chargeur conçu pour un type de batterie donné peut présenter un risque d'incendie s'il est utilisé avec une batterie d'un autre type.
 - Utilisez les outils électriques uniquement avec les batteries spécifiquement désignées. L'utilisation de tout autre type de batterie peut présenter un risque de blessure ou d'incendie.
 - Lorsque la batterie n'est pas utilisée, gardez-la à l'écart de tout objet métallique (trombone, pièce de monnaie, clé, clou, vis, etc.) pouvant établir une connexion entre les bornes. Le court-circuitage des bornes de la batterie peut causer des brûlures ou entraîner un incendie.
12. Tenez toujours la poignée fermement.
 13. Assurez-vous toujours d'être en position stable dans les pentes.
 14. Ne courez jamais ; marchez.
 15. Ne saisissez pas et ne soulevez pas l'appareil par ses lames ou par ses bords tranchants.
 16. Condition physique — N'utilisez pas la tondeuse après avoir consommé une drogue, de l'alcool ou un médicament.
 17. Gardez les carters de protection en place et en bon état de fonctionnement.
 18. Gardez mains et pieds à l'écart des lames en rotation. Attention — Les lames continuent de tourner une fois le contact coupé.
 19. Retirez la clé avant de réparer, de nettoyer ou de démonter cet appareil de jardinage.
 20. Utilisez exclusivement les lames authentiques du fabricant spécifiées dans ce manuel.
 21. Vérifiez soigneusement l'absence de fissures ou de dommages sur les lames avant l'utilisation. Remplacez immédiatement les lames fissurées ou abîmées.
 22. Assurez-vous qu'il n'y a personne à proximité avant de commencer à tondre le gazon. Arrêtez de tondre le gazon si quelqu'un s'approche.
 23. Pour éviter de vous blesser ou d'abîmer la tondeuse, enlevez les corps étrangers tels que pierres, câbles, bouteilles, os et gros bouts de bois dans la zone de travail avant de commencer à tondre le gazon.
 24. Cessez immédiatement l'utilisation en cas d'anomalie. Coupez le contact de la tondeuse et retirez la clé. Inspectez ensuite la tondeuse.
 25. N'essayez jamais de régler la hauteur des roues pendant que la tondeuse tourne. Pensez aussi à retirer la clé si vous laissez la tondeuse sans surveillance, si vous vous penchez pour ramasser ou enlever un objet qui fait obstacle, ou pour toute autre action pouvant vous distraire de votre travail.
 26. Libérez le levier d'interrupteur et attendez que la lame ait cessé de tourner avant de traverser une allée, un trottoir, une route ou une zone recouverte de gravier.
 27. Les objets heurtés par la lame de la tondeuse à gazon peuvent causer de graves blessures. Pensez toujours à inspecter soigneusement le gazon et à retirer tous les objets avant de tondre le gazon.
 28. Si la tondeuse à gazon heurte un corps étranger, procédez comme suit :
 - Arrêtez la tondeuse, libérez le levier d'interrupteur et attendez que la lame ait complètement cessé de tourner.
 - Retirez la clé de sécurité et la batterie.
 - Inspectez minutieusement la tondeuse pour vous assurer qu'elle n'a subi aucun dommage.

- Si la lame est abîmée, remplacez-la. Réparez toute pièce endommagée avant de faire redémarrer la tondeuse.
- 29. Assurez-vous régulièrement que le sac arrière n'est ni usé ni abîmé. Avant de ranger la tondeuse, assurez-vous toujours que le sac arrière est vide. Si le sac est usé, remplacez-le par un sac de rechange neuf pour votre sécurité.
- 30. Arrêtez le moteur et retirez la clé chaque fois que vous laissez l'équipement sans surveillance, avant de nettoyer le carter de la tondeuse et avant d'effectuer tout travail de réparation ou d'inspection.
- 31. Soyez très prudent lorsque vous faites reculer la machine ou la tirez vers vous.
- 32. Immobilisez les lames si vous devez incliner la machine pour la transporter en traversant une surface autre que du gazon, et lorsque vous transportez la machine vers ou de la zone d'utilisation.
- 33. N'utilisez jamais la machine si ses carters ou écrans de protection ne fonctionnent pas, ou si ses dispositifs de sécurité (tels que les déflecteurs et/ou le collecteur de gazon) ne sont pas posés.
- 34. Faites démarrer le moteur prudemment, en suivant les instructions et en gardant les pieds bien à l'écart des lames.
- 35. N'inclinez pas la machine en allumant le moteur, sauf si la machine doit être inclinée pour le démarrage. Le cas échéant, ne l'inclinez pas plus que nécessaire et n'inclinez que la partie opposée à vous.
- 36. Ne vous tenez pas devant l'ouverture de décharge pour faire démarrer la machine.
- 37. Ne mettez pas les mains ou les pieds près des pièces en rotation, ou sous celles-ci. Restez en tout temps à l'écart de l'ouverture de décharge.
- 38. Ne transportez pas la tondeuse pendant qu'elle tourne.
- 39. Arrêtez la machine et retirez l'objet bloqué. Assurez-vous que toutes les pièces mobiles sont parfaitement arrêtées
 - chaque fois que vous laissez la machine sans surveillance,
 - avant de retirer un objet bloqué ou de déboucher la chute,
 - avant d'effectuer la vérification, le nettoyage ou la maintenance de la machine,
 - après avoir heurté un corps étranger. Avant de faire redémarrer la machine, vérifiez l'absence de dommages et effectuez les réparations nécessaires.
- 40. Si la machine se met à vibrer anormalement (vérifiez immédiatement)
 - inspectez les dommages,
 - remplacez ou réparez les pièces endommagées,
 - resserrez les pièces mal serrées.
- 41. Lorsque vous réglez la machine, évitez de vous coincer les doigts entre les lames en mouvement et les pièces fixes de la machine.
- 42. Tondez toujours les pentes latéralement, jamais de haut en bas ou vice-versa. Soyez très prudent lorsque vous changez de direction dans les pentes. Ne tondez pas dans les pentes trop abruptes.

- 43. Ne nettoyez pas la tondeuse avec un boyau d'arrosage ; évitez de mouiller le moteur et les connexions électriques.
- 44. Vérifiez régulièrement le boulon de montage de la lame pour vous assurer qu'il est bien serré.
- 45. Gardez tous les écrous, boulons et vis bien serrés pour assurer le fonctionnement sûr de l'équipement.
- 46. Laissez toujours refroidir la machine avant de la ranger.
- 47. Lors de l'entretien des lames, gardez à l'esprit qu'elles peuvent tourner même si la source d'alimentation est coupée.
- 48. Pour votre propre sécurité, remplacez les pièces usées ou endommagées. Utilisez exclusivement des pièces de rechange et accessoires authentiques.

CONSERVEZ CES INSTRUCTIONS.

⚠ AVERTISSEMENT :

NE vous laissez PAS tromper (au fil d'une utilisation répétée) par un sentiment d'aisance et de familiarité avec le produit, en négligeant le respect rigoureux des consignes de sécurité qui accompagnent le produit en question. La MAUVAISE UTILISATION de l'outil ou l'ignorance des consignes de sécurité indiquées dans ce manuel d'instructions peut entraîner une blessure grave.

ENC007-8

CONSIGNES DE SÉCURITÉ IMPORTANTES

POUR LA BATTERIE

- 1. Avant d'utiliser la batterie, lisez toutes les instructions et précautions relatives (1) au chargeur de batterie, (2) à la batterie, et (3) à l'outil utilisant la batterie.
- 2. Ne démontez pas la batterie.
- 3. Cessez immédiatement l'utilisation si le temps de fonctionnement devient excessivement court. Il y a risque de surchauffe, de brûlures, voire d'explosion.
- 4. Si l'électrolyte pénètre dans vos yeux, rincez-les à l'eau claire et consultez immédiatement un médecin. Il y a risque de perte de la vue.
- 5. Ne court-circuitez pas la batterie :
 - (1) Ne touchez pas les bornes avec un matériau conducteur.
 - (2) Évitez de ranger la batterie dans un conteneur avec d'autres objets métalliques, par exemple des clous, des pièces de monnaie, etc.
 - (3) N'exposez pas la batterie à l'eau ou à la pluie. Un court-circuit de la batterie pourrait provoquer un fort courant, une surchauffe, parfois des brûlures et même une panne.
- 6. Ne rangez pas l'outil ou la batterie dans des endroits où la température risque d'atteindre ou de dépasser 50 °C.
- 7. Ne jetez pas la batterie au feu même si elle est sérieusement endommagée ou complètement épuisée. La batterie peut exploser au contact du feu.
- 8. Prenez garde d'échapper ou de heurter la batterie.
- 9. N'utilisez pas une batterie abîmée.

10. **Conformez-vous aux réglementations locales relatives à la mise au rebut des batteries.**

CONSERVEZ CES INSTRUCTIONS.

Conseils pour assurer la durée de vie optimale de la batterie

1. **Rechargez la batterie avant qu'elle ne soit complètement déchargée. Arrêtez toujours l'outil et rechargez la batterie quand vous remarquez que la puissance de l'outil diminue.**
2. **Ne rechargez jamais une batterie complètement chargée. La surcharge réduit la durée de service de la batterie.**
3. **Chargez la batterie alors que la température de la pièce se trouve entre 10 °C et 40 °C. Avant de charger une batterie chaude, laissez-la refroidir.**
4. **Chargez la batterie tous les six mois si elle reste inutilisée pendant une période prolongée.**

DESCRIPTION DU FONCTIONNEMENT

Installation ou retrait de la batterie

⚠ ATTENTION :

- Mettez toujours l'outil hors tension avant d'installer ou de retirer la batterie.
- Veillez à verrouiller le couvercle de batterie avant toute utilisation. La pénétration de boue, d'impuretés ou d'eau risque d'endommager le produit ou la batterie.
- Insérez toujours la batterie à fond, jusqu'à ce que l'indicateur rouge ne soit plus visible. Sinon, elle pourrait tomber accidentellement de l'outil, au risque de vous blesser ou de blesser quelqu'un se trouvant à proximité.
- Ne forcez pas pour insérer la batterie. Si elle ne glisse pas facilement, c'est que vous ne l'insérez pas correctement.

NOTE :

- L'outil ne peut pas fonctionner avec une seule batterie.

Pour poser la batterie :

1. Tirez vers vous le levier de verrouillage du couvercle de batterie, et ouvrez le couvercle de batterie. (Fig. 1)
2. Pour installer la batterie, alignez sa languette sur la rainure à l'intérieur du carter, et faites-la glisser en place. Insérez-la à fond, jusqu'à ce qu'elle se verrouille en place avec un léger clic. Si vous pouvez voir l'indicateur rouge du côté supérieur du bouton, la batterie n'est pas complètement verrouillée. (Fig. 2)
3. Insérez à fond la clé de sécurité à l'emplacement indiqué sur la figure. (Fig. 3)
4. Fermez le couvercle de batterie et appuyez dessus jusqu'à ce qu'il soit verrouillé par le levier de verrouillage.

Pour retirer la batterie de la tondeuse :

1. Tirez vers vous le levier de verrouillage du couvercle de batterie, et ouvrez le couvercle de batterie.
2. Faites-la glisser hors de l'outil tout en appuyant sur le bouton à l'avant de la batterie.
3. Tirez sur la clé de sécurité pour la retirer.
4. Fermez le couvercle de batterie.

Dispositif de protection de la batterie

L'outil est équipé d'un dispositif de protection de l'outil et de la batterie. Ce dispositif coupe automatiquement l'alimentation du moteur pour prolonger la durée de service de l'outil et de la batterie.

Si l'outil ou la batterie se trouve dans l'une ou l'autre des situations suivantes, l'outil cesse automatiquement de fonctionner. Dans certains cas, les témoins s'allument.

Protection contre la surcharge

Lorsque le mode d'utilisation de l'outil entraîne un appel de courant anormalement élevé, l'outil s'arrête automatiquement sans aucune indication. Il faut alors mettre l'outil hors tension et arrêter l'application qui cause la surcharge. Remettez ensuite l'outil sous tension pour redémarrer.

Protection contre la surchauffe

En cas de surchauffe de l'outil ou de la batterie, l'outil s'arrête automatiquement sans aucune indication. L'outil ne redémarre pas même lorsque vous le mettez en marche. Il faut alors laisser refroidir l'outil ou la batterie avant de remettre l'outil sous tension.

NOTE :

- La protection de la batterie contre la surchauffe ne fonctionne qu'avec une batterie portant une marque en forme d'étoile. La protection de l'outil contre la surchauffe fonctionne avec toutes les batteries. (Fig. 4)

Protection contre la décharge accélérée (Fig. 5)

Lorsque la capacité restante d'une batterie devient faible, le témoin du côté correspondant clignote. Si vous continuez à utiliser l'outil, celui-ci s'arrête et le témoin de capacité restante de la batterie s'allume pendant environ 10 secondes. Il faut alors charger la batterie.

Interrupteur

⚠ AVERTISSEMENT :

- **Avant d'installer la batterie dans l'outil, vérifiez toujours que le levier d'interrupteur fonctionne correctement et revient en position initiale une fois libéré.** Il y a risque de perte de maîtrise et de blessure grave si l'outil est utilisé avec un interrupteur déficient.

NOTE :

- Si vous essayez de tondre un gazon trop long, le moteur risquera de ne pas démarrer en raison de la surcharge. Le cas échéant, augmentez la hauteur de tonte pour pouvoir redémarrer.
- Même si vous tirez sur le levier d'interrupteur, la tondeuse ne démarre pas si vous n'appuyez pas sur le bouton d'interrupteur.

Cette tondeuse est équipée d'un interrupteur d'interverrouillage et d'un interrupteur de poignée. Si vous constatez une anomalie sur l'un ou l'autre de ces interrupteurs, cessez immédiatement l'utilisation et faites-le vérifier par le centre de service après-vente Makita le plus près.

1. Installez les batteries. Insérez la clé de sécurité dans l'interrupteur d'interverrouillage puis fermez le couvercle de batterie. (Fig. 3)
2. Appuyez sur le bouton d'interrupteur.
3. Tirez le levier d'interrupteur vers vous tout en appuyant sur le bouton d'interrupteur.
4. Libérez le bouton d'interrupteur dès que le moteur se met à tourner. La tondeuse continue de tourner jusqu'à ce que vous libériez le levier d'interrupteur. (Fig. 6)

5. Pour couper le moteur, libérez le levier d'interrupteur.
6. Après l'utilisation, retirez la clé de sécurité. Rangez la clé de sécurité dans un emplacement sûr, hors de la portée des enfants.

Réglage de la hauteur de tonte (Fig. 7)

⚠ AVERTISSEMENT :

- Ne mettez jamais une main ou une jambe sous la tondeuse pendant que vous réglez la hauteur de tonte.
- Avant l'utilisation, assurez-vous toujours que le levier pénètre bien dans la rainure.

La hauteur de tonte est réglable sur une plage de 25 mm à 75 mm.

1. Retirez la clé de sécurité.
2. Tirez le levier de réglage de hauteur de tonte du côté A. Déplacez-le jusqu'à la hauteur de tonte désirée. Veillez à ce que les ergots du levier de réglage de hauteur de tonte pénètrent dans les trous correspondants et que le levier revienne du côté B.

NOTE :

- Les valeurs de hauteur de tonte ne sont qu'approximatives, car la hauteur réelle du gazon peut varier suivant l'état de la pelouse ou du sol.
- Faites un essai de tonte en un point peu visible pour vérifier si vous obtenez la hauteur de tonte désirée.
- Maintenez fermement l'outil afin de déplacer plus facilement le levier de réglage de la hauteur de tonte. (Fig. 8)

Témoin de niveau d'herbe (Fig. 9)

Le témoin de niveau d'herbe indique le volume d'herbe collecté.

- Lorsque le panier à gazon n'est pas plein, l'indicateur flotte pendant la tonte.
- Lorsque le panier à gazon est plein, l'indicateur ne flotte pas pendant la tonte. Il faut alors immédiatement arrêter de tondre et vider le panier. Après avoir vidé le panier, nettoyez-le afin que ses mailles laissent passer l'air.

NOTE :

- Le témoin donne une indication approximative. Suivant les conditions à l'intérieur du panier, il se peut que le témoin ne fonctionne pas correctement.

ASSEMBLAGE

⚠ AVERTISSEMENT :

- **Avant toute intervention sur la tondeuse, assurez-vous toujours que la clé de sécurité et la batterie sont retirées.** En ne retirant pas la clé de sécurité et la batterie, vous risqueriez de vous blesser grièvement en cas de démarrage accidentel.
- **Ne faites démarrer l'outil que si ses pièces sont toutes montées.** En utilisant l'outil alors que ses pièces ne sont pas toutes montées, vous risqueriez de vous blesser grièvement en cas de démarrage accidentel.

Installation du couvercle de batterie

⚠ AVERTISSEMENT :

- N'insérez pas la clé de sécurité et la batterie avant d'avoir installé le couvercle de batterie. Le non-respect de cette consigne peut entraîner des blessures graves.

Installez complètement le couvercle de batterie avant d'utiliser l'outil, afin de protéger la batterie et l'outil de toute pénétration de boue, d'impuretés ou d'eau.

1. Placez le couvercle de batterie sur l'outil en alignant les parties saillantes de l'outil avec les trous du couvercle. (Fig. 10)
2. Posez vos mains au milieu du couvercle de batterie et enfoncez-le. (Fig. 11)
3. Avant la première utilisation, vérifiez que les points d'articulation du couvercle de batterie sont assemblés correctement. Pour le vérifier, tirez le levier de verrouillage du couvercle de batterie vers vous et ouvrez le couvercle. (Fig. 12)

Pose de la poignée (Fig. 13, 14 et 15)

⚠ AVERTISSEMENT :

- Lorsque vous posez les poignées, placez les fils de sorte qu'ils courent librement entre les poignées.

1. Desserrez les vis de serrage (deux pièces).
2. Déployez la poignée inférieure des deux côtés et, dans cette position, faites-la pivoter vers l'arrière et placez-la dans la rainure du plateau.
3. Serrez les vis de serrage des deux côtés pour fixer la poignée inférieure.
4. Soulevez la poignée supérieure et alignez les trous de vis de la poignée supérieure avec ceux de la poignée inférieure. Fixez-les à l'aide des vis, rondelles courbées et écrous de serrage fournis.

NOTE :

- Lors de cette opération, tenez fermement la poignée supérieure afin qu'elle ne tombe pas.

NOTE :

- Posez la poignée supérieure en orientant celle-ci et le cordon d'alimentation tel qu'illustré sur la figure. (Fig. 16)

Pose ou retrait de la lame (Fig. 17 et 18)

⚠ AVERTISSEMENT :

- Avant de retirer ou de poser la lame, retirez toujours la clé de sécurité et la batterie. Vous risquez une grave blessure si vous ne retirez pas la clé de sécurité et la batterie.
 - La lame continue de tourner pendant quelques secondes après la libération de l'interrupteur. Assurez-vous que la lame ne tourne plus.
 - Portez toujours des gants pour manipuler la lame.
1. Basculez la tondeuse sur le côté pour que le levier de réglage de la hauteur de tonte se trouve sur le dessus.
 2. Pour verrouiller la lame, insérez une bûche ou un objet similaire dans la tondeuse.
 3. À l'aide de la clé, tournez le boulon dans le sens contraire des aiguilles d'une montre pour le desserrer.

4. Enlevez dans cet ordre le boulon, la rondelle à ressort, la rondelle plate et la lame.

Pour poser la lame, effectuez la procédure contraire du retrait.

AVERTISSEMENT :

- Faites attention à positionner correctement la lame, qui présente une face supérieure et une face inférieure.
- Pour fixer la lame, serrez fermement le boulon en tournant dans le sens des aiguilles d'une montre.
- Posez la lame en plaçant du côté extérieur la face qui porte une flèche d'indication du sens de rotation.
- Assurez-vous d'avoir posé la lame de manière sûre.

Pose du panier à gazon (Fig. 19 et 20)

Retirez la clé de sécurité.

Soulevez le carter de protection arrière de la tondeuse.

Accrochez le panier à gazon sur la rainure de la tondeuse.

OPÉRATION

Tonte

AVERTISSEMENT :

- Avant de commencer à tondre le gazon, enlevez les bouts de bois et les cailloux dans la zone à tondre. Enlevez aussi les mauvaises herbes à l'avance dans la zone à tondre.
- Lorsque vous utilisez la tondeuse, portez toujours des lunettes de sécurité ou lunettes à coques.

Pendant la tonte, tenez fermement la poignée de la tondeuse à deux mains.

La distance entre les milieux des roues avant donne une indication approximative de la largeur de tonte. Pour une tonte régulière, faites se chevaucher la zone à tondre et la zone déjà tondue.

Vérifiez régulièrement le niveau du panier à gazon, et videz ce dernier quand il est plein. Lors de chaque contrôle périodique, veillez à arrêter la tondeuse et à enlever la clé de sécurité et la batterie.

NOTE :

- Si vous continuez d'utiliser la tondeuse alors que le panier à gazon est plein, la lame ne pourra pas tourner librement et le moteur sera surchargé, ce qui comporte un risque de panne.

Tonte du gazon long (Fig. 21)

N'essayez pas de tondre le gazon long d'un seul coup. Tondez-le plutôt graduellement, en espaçant les tontes d'un jour ou deux, jusqu'à ce que le gazon soit uniformément court.

NOTE :

- Le gazon long risque de s'étioler si vous le coupez très court d'un seul coup, et/ou vous risquez de bloquer le mécanisme intérieur de la tondeuse.

Vidange du panier à gazon (Fig. 22)

AVERTISSEMENT :

- Pour réduire les risques d'accident, assurez-vous régulièrement que le panier à gazon n'est pas endommagé ou affaibli, et remplacez-le lorsque nécessaire.

1. Libérez le levier d'interrupteur.
2. Retirez la clé de sécurité.
3. Ouvrez le carter de protection arrière et retirez le panier à gazon à l'aide de sa poignée.

4. Videz le panier à gazon.

ENTRETIEN ET REMISAGE

AVERTISSEMENT :

- Assurez-vous toujours que la clé de sécurité et la batterie sont retirées de la tondeuse avant de la ranger ou d'en faire l'inspection ou la maintenance.
- Portez des gants lorsque vous effectuez l'inspection ou la maintenance.

ATTENTION :

- N'utilisez jamais d'essence, benzine, diluant, alcool ou autre produit similaire. Cela risquerait de provoquer la décoloration, la déformation ou la fissuration de l'outil.

ENTRETIEN

1. **RETIREZ LA CLÉ DE SÉCURITÉ.** Rangez-la dans un emplacement sûr, hors de la portée des enfants.
2. Utilisez uniquement du savon doux et un chiffon humide pour nettoyer la tondeuse. Évitez de vaporiser ou de verser de l'eau sur la tondeuse pour la nettoyer.
3. Basculez la tondeuse sur le côté et enlevez les herbes arrachées qui se sont accumulées sous le plateau de la tondeuse.
4. Assurez-vous que les écrous, boulons, boutons, vis, attaches et autres fixations sont bien serrés.
5. Vérifiez l'absence de dommages, de bris et d'usure sur les pièces mobiles. Faites réparer ou remplacer toute pièce endommagée ou manquante.
6. Avant de ranger la tondeuse, retirez la batterie.
7. Rangez la tondeuse à l'intérieur, dans un emplacement frais, sec et verrouillé. Ne rangez pas la tondeuse et le chargeur dans un emplacement où la température peut atteindre ou dépasser 40 °C.

Remisage (Fig. 23, 24 et 25)

AVERTISSEMENT :

- Pour transporter ou ranger la tondeuse, tenez-la par sa poignée et sa prise avant. Vous risquez de vous blesser grièvement ou d'endommager la tondeuse si vous la tenez uniquement par ses poignées.

1. Desserrez la vis de serrage, déployez la poignée inférieure des deux côtés, puis abaissez la poignée vers l'avant. Lors de cette opération, tenez fermement la prise avant afin que la poignée ne tombe pas de l'autre côté de l'outil.
2. Desserrez l'écrou de serrage et faites pivoter la poignée supérieure vers l'arrière.

Pour maintenir la SÉCURITÉ et la FIABILITÉ du produit, les réparations, travaux d'entretien et autres réglages doivent être effectués dans un centre de service Makita agréé, exclusivement avec des pièces de rechange Makita.

DÉPANNAGE

Avant de faire une demande de réparation, effectuez d'abord vous-même une inspection. Si vous rencontrez un problème non documenté dans le manuel, n'essayez pas de démonter l'outil. Demandez plutôt à un centre de service après-vente Makita agréé d'effectuer la réparation au moyen de pièces de rechange Makita.

Dysfonctionnement	Cause	Mesure à prendre
La tondeuse ne démarre pas.	Les deux batteries ne sont pas installées.	Installez les batteries chargées.
	Problème de batterie (tension insuffisante)	Rechargez la batterie. Si vous n'arrivez pas à recharger la batterie, remplacez-la.
	La clé de sécurité n'est pas insérée.	Insérez la clé de sécurité.
Le moteur s'arrête au bout d'un court moment.	La charge de la batterie est faible.	Rechargez la batterie. Si vous n'arrivez pas à recharger la batterie, remplacez-la.
	La hauteur de tonte est réglée trop bas.	Augmentez la hauteur de tonte.
Le moteur ne tourne pas à plein régime.	La batterie n'est pas bien posée.	Suivez les instructions du présent manuel pour poser la batterie.
	La batterie faiblit.	Rechargez la batterie. Si vous n'arrivez pas à recharger la batterie, remplacez-la.
	Le mécanisme d'entraînement ne fonctionne pas bien.	Demandez à votre centre de service après-vente agréé d'effectuer la réparation.
L'outil tranchant ne tourne pas : arrêtez immédiatement la machine !	Un corps étranger, tel qu'une branche, est coincé près de la lame.	Retirez le corps étranger.
	Le mécanisme d'entraînement ne fonctionne pas bien.	Demandez à votre centre de service après-vente agréé d'effectuer la réparation.
Vibrations anormales : arrêtez immédiatement la machine !	La lame est déséquilibrée, trop usée ou usée de manière inégale.	Remplacez la lame.

014546

ACCESSOIRES EN OPTION

ATTENTION :

- Ces accessoires ou pièces complémentaires sont recommandés pour l'utilisation avec l'outil Makita spécifié dans ce mode d'emploi. L'utilisation de tout autre accessoire ou pièce complémentaire peut comporter un risque de blessure. N'utilisez les accessoires ou pièces qu'aux fins auxquelles ils ont été conçus.

Si vous désirez obtenir plus de détails concernant ces accessoires, veuillez contacter le centre de service après-vente Makita le plus près.

- Lame
- Batterie et chargeur Makita authentiques

NOTE :

- Il se peut que certains éléments de la liste soient compris dans l'emballage de l'outil en tant qu'accessoires standard. Ils peuvent varier d'un pays à l'autre.

ENG905-1

Bruit

Niveau de bruit pondéré A typique, déterminé selon la norme 2000/14/CE :

Niveau de pression sonore (L_{pA}) : 81 dB (A)
Niveau de puissance sonore (L_{WA}) : 93 dB (A)
Incertitude (K) : 3 dB (A)

Porter des protecteurs anti-bruit

ENG900-1

Vibrations

Valeur totale de vibrations (somme de vecteur triaxial) déterminée selon EN60335 :

Émission de vibrations (a_{h1}) : 2,5 m/s² ou moins
Incertitude (K) : 1,5 m/s²

- La valeur d'émission de vibrations déclarée a été mesurée conformément à la méthode de test standard et peut être utilisée pour comparer les outils entre eux.
- La valeur d'émission de vibrations déclarée peut aussi être utilisée pour l'évaluation préliminaire de l'exposition.

⚠ AVERTISSEMENT :

- L'émission de vibrations lors de l'usage réel de l'outil électrique peut être différente de la valeur d'émission déclarée, suivant la façon dont l'outil est utilisé.
- Les mesures de sécurité à prendre pour protéger l'utilisateur doivent être basées sur une estimation de l'exposition dans des conditions réelles d'utilisation (en tenant compte de toutes les composantes du cycle d'utilisation, comme par exemple le moment de sa mise hors tension, lorsqu'il tourne à vide et le moment de son déclenchement).

ENH223-1

Pour les pays d'Europe uniquement

Déclaration de conformité CE

Makita déclare que la (les) machine(s) suivante(s) :

Désignation de la machine :

Tondeuse Sans Fil

N° de modèle / Type : DLM380

Spécifications : voir le tableau "SPÉCIFICATIONS".

sont conformes aux Directives européennes suivantes :

2000/14/CE, 2006/42/CE

Elles sont fabriquées conformément aux normes ou aux documents normalisés suivants :

EN60335

La documentation technique conforme à la norme 2006/42/CE est disponible auprès de :

Makita International Europe Ltd.

Service technique,

Michigan Drive, Tongwell,

Milton Keynes, Bucks MK15 8JD, Angleterre

La procédure d'évaluation de la conformité requise par la Directive 2000/14/CE a été réalisée conformément à l'annexe VI.

Organisme notifié :

TÜV Rheinland LGA Products GmbH

Tillystraße 2

90431 Nürnberg, Allemagne

Numéro d'identification 0197

Niveau de puissance sonore mesuré : 93 dB (A)

Niveau de puissance sonore garanti : 94 dB (A)

1.10.2013



Tomoyasu Kato

Directeur

Makita Corporation

3-11-8, Sumiyoshi-cho,

Anjo, Aichi, 446-8502, JAPAN

Übersicht

1 Akkuabdeckungs- Verriegelungshebel	13 Vorsprung	26 Kabel
2 Akkuabdeckung	14 Drehpunkt	27 Messer
3 Akku	15 Unterer Griff	28 Schraubenschlüssel
4 Sperrschlüssel	16 Klemmschraube	29 Holzscheit
5 Sternsymbol	17 Anziehen	30 Messerhalter
6 Akkuanzeige	18 Lösen	31 Unterlegscheibe
7 Schaltknopf	19 Führungsnut	32 Federscheibe
8 Schalthebel	20 Oberer Griff	33 Schraube
9 Mähhöhen-Einstellhebel	21 Löcher	34 Haken
10 Stifte	22 Knebelmutter	35 Graskorb
11 Grasfüllstandsanzeige	23 Wellscheibe	36 Handgriff
12 Loch	24 Schraube	37 Hintere Schutzklappe
	25 Halter	

TECHNISCHE DATEN

Modell		DLM380	
Mähbreite		380 mm	
Leerlaufdrehzahl		3 700 min ⁻¹	
Abmessungen (L x B x H)	während des Betriebs	1 145 mm x 465 mm x 1 023 mm – 1 070 mm	
	bei Lagerung	680 mm x 470 mm x 505 mm	
Nennspannung		DC 36 V	
Standard-Akku(s) ⚠ Warnung: Verwenden Sie nur den (die) beschriebenen Akku(s).		BL1815N	BL1830 / BL1840
Nettogewicht		14,5 kg	15,0 kg

- Wir behalten uns vor, Änderungen im Zuge der Entwicklung und des technischen Fortschritts ohne vorherige Ankündigung vorzunehmen.
- Die technischen Daten und der Akku können von Land zu Land unterschiedlich sein.
- Gewicht mit Akku nach EPTA-Verfahren 01/2003



END016-5



- Entfernen Sie den Sperrschlüssel, bevor Sie den Mäher überprüfen, einstellen, reinigen, warten, verlassen und lagern.

- Nur für EG-Länder
Werfen Sie Elektrogeräte oder Akkus nicht in den Hausmüll!

Unter Einhaltung der Europäischen Richtlinie über Elektro- und Elektronik-Altgeräte, Batterien, Akkus sowie verbrauchte Batterien und Akkus und ihre Umsetzung gemäß den Landesgesetzen müssen Elektrogeräte und Batterien bzw. Akkus, die das Ende ihrer Lebensdauer erreicht haben, getrennt gesammelt und einer umweltgerechten Recycling-Einrichtung zugeführt werden.

SYMBOLS

Die folgenden Symbole werden für die Maschine verwendet. Machen Sie sich vor der Benutzung unbedingt mit ihrer Bedeutung vertraut.

- Besondere Umsicht und Aufmerksamkeit erforderlich.

- Bitte Bedienungsanleitung lesen.

- Gefahr durch herausgeschleuderte Objekte.

- Der Abstand zwischen der Maschine und Umstehenden sollte mindestens 15 m betragen.

- Halten Sie niemals Ihre Hände und Füße in die Nähe des Messers unter dem Mäher.

WICHTIGE SICHERHEITSVORSCHRIFTEN

⚠️ WARNUNG! Lesen Sie alle Sicherheitswarnungen und Anweisungen durch. Eine Missachtung der unten aufgeführten Warnungen und Anweisungen kann zu einem elektrischen Schlag, Brand und/oder schweren Verletzungen führen.

Bewahren Sie alle Warnungen und Anweisungen für spätere Bezugnahme auf.

1. Stecken Sie den Schlüssel nicht eher in den Mäher, bis dieser betriebsbereit ist.
2. Dieses Gerät ist nicht für den Gebrauch durch Personen (einschließlich Kindern) mit verminderten körperlichen oder geistigen Fähigkeiten oder mangelnder Erfahrung und Kenntnis vorgesehen, es sei denn, sie haben eine Betreuung oder Unterweisung im Gebrauch des Gerätes von einer Person erhalten, die für ihre Sicherheit verantwortlich ist.
3. Kinder sollten beaufsichtigt werden, um sicherzugehen, dass sie nicht mit dem Gerät spielen.
4. Kinder oder Personen, die nicht mit dieser Anleitung vertraut sind, dürfen die Maschine keinesfalls benutzen. Örtliche Vorschriften können das Alter der Bedienungsperson einschränken.
5. Betreiben Sie die Maschine keinesfalls, während sich Personen, besonders Kinder, oder Haustiere in der Nähe aufhalten.
6. Der Bediener oder Benutzer ist verantwortlich für Verletzungen oder Sachschäden, die an Personen oder ihrem Eigentum entstehen.
7. Tragen Sie während der Benutzung der Maschine stets kräftiges Schuhwerk und eine lange Hose. Betreiben Sie die Maschine nicht barfuß oder mit offenen Sandalen. Vermeiden Sie das Tragen von Kleidungsstücken oder Schmucksachen, die lose sitzen oder herunterhängende Schnüre oder Bänder haben. Diese können von beweglichen Teilen erfasst werden.
8. Betreiben Sie die Maschine nur bei Tageslicht oder hellem Kunstlicht.
9. Vermeiden Sie die Benutzung der Maschine in nassem Gras.
10. Betreiben Sie den Mäher niemals bei Regen.
11. Gebrauch und Pflege von Akkuwerkzeugen
 - Laden Sie den Akku nur mit dem vom Hersteller vorgeschriebenen Ladegerät. Ein Ladegerät, das für einen bestimmten Akkutyp geeignet ist, kann bei Verwendung mit einem anderen Akku eine Brandgefahr darstellen.
 - Benutzen Sie Elektrowerkzeuge nur mit den ausdrücklich vorgeschriebenen Akkus. Bei Verwendung irgendwelcher anderer Akkus besteht Verletzungs- und Brandgefahr.
 - Bewahren Sie den Akku bei Nichtgebrauch nicht zusammen mit Metallgegenständen, wie Büroklammern, Münzen, Schlüsseln, Nägeln, Schrauben, und anderen kleinen Metallteilen auf, welche die Kontakte kurzschließen können. Kurzschließen der Akkukontakte kann Verbrennungen oder einen Brand verursachen.
12. Halten Sie den Bügelgriff stets mit festem Griff.
13. Achten Sie beim Arbeiten auf Hängen stets auf sicheren Stand.
14. Stets gehen, niemals laufen.
15. Fassen Sie nicht das freiliegende Schneidmesser oder die Schneidkanten an, um das Gerät anzuheben oder zu halten.
16. Körperliche Verfassung — Betreiben Sie den Mäher nicht unter dem Einfluss von Drogen, Alkohol oder Medikamenten.
17. Halten Sie Schutzvorrichtungen stets montiert und in betriebsfähigem Zustand.
18. Halten Sie Hände und Füße vom rotierenden Messer fern. Vorsicht — Das Messer läuft nach dem Ausschalten noch nach.
19. Ziehen Sie den Schlüssel ab, bevor Sie das Gartengerät warten, reinigen oder von Fremdkörpern befreien.
20. Verwenden Sie nur das in dieser Anleitung angegebene Originalmesser des Herstellers.
21. Überprüfen Sie das Messer vor dem Betrieb sorgfältig auf Risse oder Beschädigung. Wechseln Sie ein gerissenes oder beschädigtes Messer unverzüglich aus.
22. Vergewissern Sie sich, dass sich keine anderen Personen im Arbeitsbereich aufhalten, bevor Sie mit dem Mähen beginnen. Stellen Sie den Mäher ab, falls jemand den Arbeitsbereich betritt.
23. Entfernen Sie vor dem Mähen Fremdkörper, wie Steine, Draht, Flaschen, Knochen und große Äste, vom Arbeitsbereich, um Personenverletzungen und Beschädigung des Mähers zu verhüten.
24. Brechen Sie den Betrieb sofort ab, wenn Sie irgendetwas Ungewöhnliches bemerken. Schalten Sie den Mäher aus, und ziehen Sie den Schlüssel ab. Überprüfen Sie dann den Mäher.
25. Versuchen Sie niemals, die Radhöhe zu verstellen, während der Mäher läuft.
26. Lassen Sie den Schalthebel los, und warten Sie, bis das Messer zum Stillstand gekommen ist, bevor Sie Einfahrten, Gehwege, Straßen und schotterbedeckte Flächen überqueren. Ziehen Sie den Schlüssel auch ab, wenn Sie den Mäher verlassen, wenn Sie sich bücken, um etwas aufzuheben oder aus dem Weg zu räumen, oder in irgendeiner anderen Situation, bei der Sie von Ihrer Arbeit abgelenkt werden könnten.
27. Vom Rasenmähermesser herausgeschleuderte Gegenstände können schwere Personenverletzungen verursachen. Der Rasen ist vor jedem Mähen sorgfältig zu überprüfen und von allen Objekten zu räumen.

28. Falls der Rasenmäher auf einen Fremdkörper stößt, gehen Sie folgendermaßen vor:
 - Stellen Sie den Mäher ab, lassen Sie den Schalthebel los, und warten Sie, bis das Messer zum vollständigen Stillstand gekommen ist.
 - Entfernen Sie den Sperrschlüssel und den Akku.
 - Überprüfen Sie den Mäher gründlich auf etwaige Beschädigung.
 - Tauschen Sie das Messer aus, falls es in irgendeiner Weise beschädigt ist.
 Reparieren Sie etwaige Schäden, bevor Sie den Mäher wieder in Betrieb nehmen und weiter benutzen.
29. Überprüfen Sie den Grasfangsack öfters auf Verschleiß oder Verschlechterung. Vergewissern Sie sich vor der Lagerung stets, dass der Grasfangsack leer ist. Ersetzen Sie einen zerrissenen Sack zur Sicherheit durch einen fabrikneuen Ersatzsack.
30. Stellen Sie den Motor ab, und ziehen Sie den Schlüssel ab, wann immer Sie das Gerät verlassen, bevor Sie das Mähergehäuse reinigen, und bevor Sie irgendwelche Reparaturen oder Inspektionen durchführen.
31. Lassen Sie äußerste Vorsicht walten, wenn Sie die Maschine rückwärts betreiben oder auf sich zu ziehen.
32. Halten Sie das (die) Messer an, wenn die Maschine zum Transportieren gekippt werden muss, wenn andere Flächen als Rasen überquert werden müssen, und wenn die Maschine zu und vom Arbeitsbereich transportiert werden muss.
33. Betreiben Sie die Maschine niemals mit defekten Schutzklappen oder Abschirmungen oder ohne Schutzvorrichtungen, z. B. Abweiser und/oder Grassammler.
34. Schalten Sie den Motor gemäß den Anweisungen vorsichtig ein, während Ihre Füße einen ausreichenden Sicherheitsabstand vom Messer haben.
35. Neigen Sie die Maschine nicht, wenn Sie den Motor einschalten, außer wenn die Maschine zum Starten geneigt werden muss. Neigen Sie die Maschine in diesem Fall nicht mehr als absolut notwendig, und heben Sie nur den vom Bediener abgewandten Teil an.
36. Starten Sie die Maschine nicht, wenn Sie vor der Auswurföffnung stehen.
37. Halten Sie Ihre Hände oder Füße nicht in die Nähe von rotierenden Teilen oder darunter. Bleiben Sie stets von der Auswurföffnung fern.
38. Transportieren Sie die Maschine nicht bei eingeschaltetem Mähwerk.
39. Stellen Sie die Maschine ab, und entfernen Sie die Sperrvorrichtung. Vergewissern Sie sich, dass alle beweglichen Teile zum vollständigen Stillstand gekommen sind,
 - wann immer Sie die Maschine verlassen.
 - bevor Sie Blockierungen beseitigen oder den Auswurf frei machen.
 - bevor Sie die Maschine überprüfen, reinigen oder daran arbeiten.
- nachdem ein Fremdkörper berührt wurde. Überprüfen Sie die Maschine auf Beschädigung, und führen Sie Reparaturen durch, bevor Sie die Maschine wieder starten und in Betrieb nehmen.
40. Falls die Maschine beginnt, ungewöhnlich heftig zu vibrieren (sofort überprüfen),
 - auf Beschädigung überprüfen.
 - beschädigte Teile austauschen oder reparieren.
 - prüfen, ob lose Teile vorhanden sind, und diese festziehen.
41. Lassen Sie während der Einstellung der Maschine Vorsicht walten, um Einklemmen der Finger zwischen den beweglichen Messern und den feststehenden Teilen der Maschine zu verhüten.
42. Mähen Sie Hänge nur seitwärts, niemals auf und ab. Gehen Sie bei Richtungsänderungen auf Hängen äußerst vorsichtig vor. Mähen Sie keine sehr steilen Hänge.
43. Waschen Sie die Maschine nicht mit einem Schlauch, um das Eindringen von Wasser in Motor und elektrische Anschlüsse zu vermeiden.
44. Überprüfen Sie die Messerbefestigungsschraube in regelmäßigen Abständen auf festen Sitz.
45. Achten Sie auf festen Sitz aller Muttern, Bolzen und Schrauben, um sicherzugehen, dass sich die Maschine in einwandfreiem Arbeitszustand befindet.
46. Lassen Sie die Maschine vor der Lagerung stets abkühlen.
47. Wenn Sie das Messer warten, bedenken Sie, dass sich das Messer immer noch bewegen kann, selbst wenn die Stromquelle abgeschaltet ist.
48. Tauschen Sie verschlissene oder beschädigte Teile zur Sicherheit aus. Verwenden Sie nur Original-Ersatzteile und -Zubehör.

BEWAHREN SIE DIESE HINWEISE SORGFÄLTIG AUF.

WARNING:

Lassen Sie sich NICHT durch Bequemlichkeit oder Vertrautheit mit dem Produkt (durch wiederholten Gebrauch erworben) von der strikten Einhaltung der Sicherheitsregeln für das vorliegende Produkt abhalten. MISSBRAUCH oder Missachtung der Sicherheitsvorschriften in dieser Anleitung können schwere Verletzungen verursachen.

WICHTIGE SICHERHEITSVORSCHRIFTEN**FÜR AKKU**

1. Lesen Sie vor der Benutzung des Akkus alle Anweisungen und Warnhinweise, die an (1) Ladegerät, (2) Akku und (3) Akkuwerkzeug angebracht sind.
2. Unterlassen Sie ein Zerlegen des Akkus.
3. Falls die Betriebszeit beträchtlich kürzer geworden ist, stellen Sie den Betrieb sofort ein. Anderenfalls besteht die Gefahr von Überhitzung, möglichen Verbrennungen und sogar einer Explosion.
4. Falls Elektrolyt in Ihre Augen gelangt, waschen Sie sie mit sauberem Wasser aus, und begeben Sie sich unverzüglich in ärztliche Behandlung. Anderenfalls können Sie Ihre Sehkraft verlieren.
5. Der Akku darf nicht kurzgeschlossen werden:
 - (1) Die Kontakte dürfen nicht mit leitfähigem Material berührt werden.
 - (2) Lagern Sie den Akku nicht in einem Behälter zusammen mit anderen Metallgegenständen, wie z. B. Nägel, Münzen usw.
 - (3) Setzen Sie den Akku weder Wasser noch Regen aus.

Ein Kurzschluss des Akkus kann starken Stromfluss verursachen, der Überhitzung, Verbrennungen und einen Defekt zur Folge haben kann.
6. Lagern Sie Maschine und Akku nicht an Orten, an denen die Temperatur 50°C erreichen oder überschreiten kann.
7. Versuchen Sie niemals, den Akku zu verbrennen, selbst wenn er stark beschädigt oder vollkommen verbraucht ist. Der Akku kann im Feuer explodieren.
8. Achten Sie darauf, dass der Akku nicht fallen gelassen oder Stößen ausgesetzt wird.
9. Benutzen Sie keine beschädigten Akkus.
10. Befolgen Sie die örtlichen Vorschriften bezüglich der Entsorgung von Batterien.

BEWAHREN SIE DIESE HINWEISE SORGFÄLTIG AUF.**Hinweise zur Aufrechterhaltung der maximalen Akku-Nutzungsdauer**

1. Laden Sie den Akku, bevor er vollkommen erschöpft ist.
Schalten Sie das Werkzeug stets aus, und laden Sie den Akku, wenn Sie ein Nachlassen der Werkzeugleistung feststellen.
2. Unterlassen Sie das erneute Laden eines voll aufgeladenen Akkus.
Überladen führt zu einer Verkürzung der Nutzungsdauer des Akkus.
3. Laden Sie den Akku bei Raumtemperatur zwischen 10°C – 40°C.
Lassen Sie einen heißen Akku abkühlen, bevor Sie ihn laden.
4. Laden Sie den Akku bei längerer Nichtbenutzung alle sechs Monate nach.

Anbringen und Abnehmen des Akkus**⚠ VORSICHT:**

- Schalten Sie die Maschine stets aus, bevor Sie den Akku anbringen oder abnehmen.
- Verriegeln Sie unbedingt die Akkuabdeckung vor Gebrauch. Anderenfalls können Schlamm, Schmutz oder Wasser eine Beschädigung des Produkts oder des Akkus verursachen.
- Schieben Sie den Akku stets bis zum Anschlag ein, bis die rote Anzeige nicht mehr sichtbar ist. Anderenfalls kann er versehentlich aus dem Werkzeug herausfallen und Sie oder umstehende Personen verletzen.
- Unterlassen Sie Gewaltanwendung beim Anbringen des Akkus. Falls der Akku nicht reibungslos hineingeht, ist er nicht richtig ausgerichtet.

HINWEIS:

- Das Werkzeug funktioniert nicht mit nur einem Akku.

Zum Einsetzen des Akkus:

1. Ziehen Sie den Akkuabdeckungs-Verriegelungshebel auf sich zu, und öffnen Sie die Akkuabdeckung. **(Abb. 1)**
2. Richten Sie zum Anbringen des Akkus dessen Führungsfeder auf die Nut im Gehäuse aus, und schieben Sie den Akku hinein. Schieben Sie ihn vollständig ein, bis er mit einem hörbaren Klicken einrastet. Falls die rote Anzeige an der Oberseite des Knopfes sichtbar ist, ist der Akku nicht vollständig verriegelt. **(Abb. 2)**
3. Führen Sie den Sperrschlüssel bis zum Anschlag in den in der Abbildung gezeigten Schlitz ein. **(Abb. 3)**
4. Schließen Sie die Akkuabdeckung, und drücken Sie sie an, bis sie mit dem Verriegelungshebel einrastet.

Zum Abnehmen des Akkus vom Mäher:

1. Ziehen Sie den Akkuabdeckungs-Verriegelungshebel auf sich zu, und öffnen Sie die Akkuabdeckung.
2. Ziehen Sie den Akku vom Werkzeug ab, während Sie den Knopf an der Vorderseite des Akkus verschieben.
3. Ziehen Sie den Sperrschlüssel heraus.
4. Schließen Sie die Akkuabdeckung.

Akku-Schutzsystem

Das Werkzeug ist mit einem Werkzeug/Akku-Schutzsystem ausgestattet. Dieses System schaltet die Stromversorgung des Motors automatisch ab, um die Lebensdauer von Werkzeug und Akku zu verlängern. Das Werkzeug bleibt während des Betriebs automatisch stehen, wenn das Werkzeug oder der Akku einer der folgenden Bedingungen unterliegt. Bei manchen Bedingungen leuchten die Anzeigen auf.

Überlastschutz

Wird das Werkzeug auf eine Weise benutzt, die eine ungewöhnlich hohe Stromaufnahme bewirkt, bleibt es ohne jegliche Anzeige automatisch stehen. Schalten Sie in dieser Situation das Werkzeug aus, und brechen Sie die Arbeit ab, die eine Überlastung des Werkzeugs verursacht hat. Schalten Sie dann das Werkzeug wieder ein, um die Arbeit fortzusetzen.

Überhitzungsschutz

Wenn das Werkzeug oder die Akkus überhitzt sind, bleibt das Werkzeug ohne jegliche Anzeige automatisch stehen. Das Werkzeug kann nicht gestartet werden, obwohl es eingeschaltet ist. Lassen Sie das Werkzeug oder die Akkus in dieser Situation abkühlen, bevor Sie das Werkzeug wieder einschalten.

HINWEIS:

- Der Akku-Überhitzungsschutz funktioniert nur mit Akkus, die mit einem Sternsymbol gekennzeichnet sind. Das Werkzeug-Überhitzungsschutzsystem funktioniert mit jedem Akku. (Abb. 4)

Überentladungsschutz (Abb. 5)

Wenn die Akku-Restkapazität niedrig wird, blinkt die Akkuanzeige auf der Seite des betreffenden Akkus. Bei weiterer Benutzung bleibt das Werkzeug stehen, und die Akkuanzeige leuchtet etwa 10 Sekunden lang auf. Laden Sie in dieser Situation den Akku auf.

Funktion des Ein-Aus-Schalters

⚠ WARNUNG:

- **Vergewissern Sie sich vor dem Einsetzen des Akkus in das Werkzeug stets, dass der Schalthebel ordnungsgemäß funktioniert und beim Loslassen in die Ausgangsstellung zurückkehrt.** Der Betrieb einer Maschine mit fehlerhaftem Schalter kann zum Verlust der Kontrolle und zu schweren Verletzungen führen.

HINWEIS:

- Wenn Sie versuchen, viel Gras auf einmal zu mähen, kann der Motor wegen der Überlastung eventuell nicht starten. Stellen Sie in diesem Fall die Mähhöhe auf ein höheres Niveau ein, um die Maschine wieder zu starten.
- Der Mäher startet nicht, ohne den Schaltknopf zu drücken, selbst wenn der Schalthebel betätigt wird.

Dieser Mäher ist mit einem Verriegelungsschalter und Lenkerschalter ausgestattet. Falls Sie etwas Ungewöhnliches bei einem dieser Schalter bemerken, stoppen Sie die Maschine unverzüglich, und lassen Sie die Schalter vom nächsten autorisierten Kundendienstzentrum von Makita überprüfen.

1. Setzen Sie die Akkus ein. Stecken Sie den Sperrschlüssel in den Verriegelungsschalter, und schließen Sie dann die Akkuabdeckung. (Abb. 3)
2. Drücken Sie den Schaltknopf.
3. Ziehen Sie den Schalthebel auf sich zu, während Sie den Schaltknopf drücken.
4. Lassen Sie den Schaltknopf los, sobald der Motor anläuft. Der Mäher läuft solange weiter, bis Sie den Schalthebel loslassen. (Abb. 6)
5. Lassen Sie den Schalthebel los, um den Motor zu stoppen.
6. Wenn der Mäher nicht benutzt wird, ziehen Sie den Sperrschlüssel ab. Bewahren Sie den Sperrschlüssel an einem sicheren Ort außer Reichweite von Kindern auf.

Einstellen der Mähhöhe (Abb. 7)

⚠ WARNUNG:

- Halten Sie niemals Ihre Hand oder Ihren Fuß unter das Mähwerk, wenn Sie die Mähhöhe einstellen.
- Vergewissern Sie sich stets, dass der Hebel einwandfrei in der Führungsnut sitzt, bevor Sie den Mäher in Betrieb nehmen.

Die Mähhöhe kann innerhalb des Bereichs zwischen 25 mm – 75 mm eingestellt werden.

1. Entfernen Sie den Sperrschlüssel.
2. Ziehen Sie den Mähhöhen-Einstellhebel zur Seite A. Stellen Sie ihn auf die gewünschte Mähhöhe ein. Vergewissern Sie sich, dass die Stifte am Mähhöhen-Einstellhebel in den Löchern sitzen und der Hebel zur Seite B zurückkehrt.

HINWEIS:

- Benutzen Sie die Mähhöhenzahlen nur als Richtlinie, da der Zustand des Rasens oder des Bodens dazu führen kann, dass die Rasenhöhe geringfügig von der eingestellten Höhenzahl abweicht.
- Machen Sie einen Mähtest an einer unauffälligeren Stelle des Rasens, um die gewünschte Höhe zu erhalten.
- Der Mähhöhen-Einstellhebel lässt sich leichter bewegen, wenn das Werkzeug sicher festgehalten wird. (Abb. 8)

Grasfüllstandsanzeige (Abb. 9)

Die Grasfüllstandsanzeige zeigt die Menge des eingesammelten Grasses an.

- Wenn der Graskorb nicht voll ist, schwebt die Anzeige während des Mähens.
- Wenn der Graskorb voll ist, schwebt die Anzeige während des Mähens nicht. Brechen Sie in diesem Fall die Mäharbeit sofort ab, und leeren Sie den Korb. Nachdem Sie den Korb geleert haben, reinigen Sie ihn, so dass sein Maschenwerk die Luft ventiliert.

HINWEIS:

- Diese Anzeige ist eine grobe Orientierungshilfe. Je nach den Bedingungen im Korb funktioniert diese Anzeige u. U. nicht richtig.

MONTAGE

⚠ WARNUNG:

- **Vergewissern Sie sich stets, dass der Sperrschlüssel und der Akku entfernt worden sind, bevor Sie irgendwelche Arbeiten am Mäher ausführen.** Wird das Entfernen des Sperrschlüssels und das Abnehmen des Akkus unterlassen, kann es zu schweren Verletzungen durch versehentliches Anlaufen kommen.
- **Starten Sie die Maschine niemals, wenn sie nicht vollständig zusammengebaut ist.** Der Betrieb der unvollständig zusammengebauten Maschine kann zu schweren Verletzungen durch versehentliches Anlaufen führen.

Montieren der Akkuabdeckung

⚠ WARNUNG:

- Warten Sie mit dem Einstecken des Sperrschlüssels und dem Einsetzen des Akkus, bis die Akkuabdeckung montiert worden ist. Anderenfalls kann es zu einer schweren Verletzung kommen.

Montieren Sie die Akkuabdeckung vollständig, bevor Sie das Werkzeug in Betrieb nehmen, um Werkzeug und Akku vor Schlamm, Schmutz oder Wasser zu schützen.

1. Setzen Sie die Akkuabdeckung so auf das Werkzeug, dass die Vorsprünge am Werkzeug und die Löcher der Akkuabdeckung aufeinander ausgerichtet sind. (Abb. 10)

- Drücken Sie die Akkuabdeckung mit beiden Händen in der Mitte an. **(Abb. 11)**
- Vergewissern Sie sich vor der ersten Inbetriebnahme, dass der Drehpunkt der Akkuabdeckung korrekt montiert ist. Ziehen Sie zur Überprüfung den Akkuabdeckungs-Verriegelungshebel auf sich zu, und öffnen Sie die Akkuabdeckung. **(Abb. 12)**

Montieren des Bügelgriffs (Abb. 13, 14 und 15)

WARNUNG:

- Positionieren Sie die Kabel beim Montieren des Bügelgriffs so, dass sie nicht durch irgendwelche Teile zwischen den Griffstangen erfasst werden.
- Lösen Sie die Klemmschrauben (zwei Stück).
 - Spreizen Sie die unteren Griffstangen auseinander, und schwenken Sie sie in diesem Zustand nach hinten, um sie in die Führungsnut im Deck einzupassen.
 - Ziehen Sie die Klemmschrauben auf beiden Seiten fest, um den unteren Griff zu sichern.
 - Heben Sie den oberen Griff an, und richten Sie die Schraubenlöcher im oberen Griff auf diejenigen in den unteren Griffstangen aus. Sichern Sie die Griffstangen mit den mitgelieferten Schrauben, Wellscheiben und Knebelmutter.

HINWEIS:

- Halten Sie dabei den oberen Griff sicher fest, damit er Ihnen nicht aus der Hand fällt.

HINWEIS:

- Montieren Sie den oberen Griff so, dass Griff und Stromkabel so positioniert sind, wie in der Abbildung gezeigt. **(Abb. 16)**

Demontieren oder Montieren des Messers

(Abb. 17 und 18)

WARNUNG:

- Entfernen Sie stets den Sperrschlüssel und den Akku, bevor Sie das Messer demontieren oder montieren. Werden Sperrschlüssel und Akku nicht entfernt, kann es zu schweren Verletzungen kommen.
 - Das Messer dreht sich nach dem Loslassen des Schalters noch einige Sekunden weiter. Vergewissern Sie sich, dass das Messer zum vollständigen Stillstand gekommen ist.
 - Tragen Sie stets Handschuhe bei der Handhabung des Messers.
- Kippen Sie den Mäher auf seine Seite, so dass der Mähhöhen-Einstellhebel oben liegt.
 - Um das Messer zu blockieren, schieben Sie ein Holzscheit oder etwas Ähnliches in den Mäher.
 - Lösen Sie die Schraube durch Linksdrehen mit dem Ringschlüssel.
 - Entfernen Sie Schraube, Federscheibe, Unterlegscheibe und Messer in dieser Reihenfolge.

Zum Montieren des Messers ist das Demontageverfahren umgekehrt anzuwenden.

WARNUNG:

- Montieren Sie das Messer sorgfältig unter Beachtung seiner Ober- und Unterseite.
- Ziehen Sie dann die Schraube zur Sicherung des Messers im Uhrzeigersinn fest.
- Richten Sie das Messer so aus, dass die Seite mit dem Drehrichtungspfeil außen liegt.

- Vergewissern Sie sich, dass das Messer sicher montiert ist.

Montieren des Graskorbs (Abb. 19 und 20)

Entfernen Sie den Sperrschlüssel.

- Heben Sie die hintere Schutzklappe der Mähereinheit an.
- Hängen Sie den Graskorb in die Nut der Mähereinheit ein.

BETRIEB

Mähen

WARNUNG:

- Bevor Sie mit dem Mähen beginnen, entfernen Sie Äste und Steine vom Mähbereich. Beseitigen Sie vorher auch jegliches Unkraut im Mähbereich.
- Tragen Sie bei der Benutzung des Mähers stets eine Schutzbrille mit Seitenschützern.

Halten Sie den Rasenmähergriff beim Mähen mit beiden Händen fest.

Die Breite zwischen der Mitte der Vorderräder dient als Richtlinie für den Mähbereich. Für gleichmäßiges Mähen überlappen Sie den Mähbereich teilweise mit der vorher gemähten Fläche.

Überprüfen Sie von Zeit zu Zeit den Füllstand des Graskorbs, und leeren Sie ihn, bevor er ganz voll wird. Stellen Sie vor jeder regelmäßigen Kontrolle den Mäher ab, und entfernen Sie Sperrschlüssel und Akku.

HINWEIS:

- Die Benutzung des Rasenmähers mit vollem Graskorb verhindert eine reibungslose Messerdrehung und übt eine zusätzliche Last auf den Motor aus, die zu einem Ausfall führen kann.

Mähen eines Langgrasrasens (Abb. 21)

Versuchen Sie nicht, hohes Gras in einem Durchgang zu mähen. Mähen Sie den Rasen statt dessen in Etappen, indem Sie zwischen den Mähdurchgängen eine Pause von einem oder zwei Tagen einlegen, bis der Rasen gleichmäßig kurz ist.

HINWEIS:

- Der Versuch, langes Gras in einem Durchgang auf eine kurze Länge zu mähen, kann dazu führen, dass das Gras abstirbt und/oder die Innenseite der Haupteinheit blockiert.

Leeren des Graskorbs (Abb. 22)

WARNUNG:

- Um die Unfallgefahr zu reduzieren, sollten Sie den Graskorb regelmäßig auf Beschädigung oder Abschwächung überprüfen und nötigenfalls austauschen.

- Lassen Sie den Schalthebel los.
- Entfernen Sie den Sperrschlüssel.
- Öffnen Sie die hintere Schutzklappe, und nehmen Sie den Graskorb an seinem Griff heraus.
- Leeren Sie den Graskorb.

WARTUNG UND LAGERUNG

WARNUNG:

- Vergewissern Sie sich stets, dass Sperrschlüssel und Akku vom Mäher entfernt worden sind, bevor Sie den Mäher lagern oder eine Überprüfung oder Wartung durchführen.
- Tragen Sie Handschuhe zur Durchführung von Inspektions- oder Wartungsarbeiten.

VORSICHT:

- Verwenden Sie auf keinen Fall Benzin, Benzol, Verdünnern, Alkohol oder dergleichen. Solche Mittel können Verfärbung, Verformung oder Rissbildung verursachen.

WARTUNG

1. DEN SPERRSCHÜSSEL ABZIEHEN. Bewahren Sie den Schlüssel an einem sicheren Ort außer Reichweite von Kindern auf.
2. Reinigen Sie Ihren Mäher nur mit milder Seifenlösung und einem feuchten Tuch. Unterlassen Sie Bespritzen oder Übergießen des Mähers mit Wasser während der Reinigung.
3. Kippen Sie den Mäher auf seine Seite, und entfernen Sie Grasschnitzel, die sich auf der Unterseite des Mähwerks angesammelt haben.
4. Überprüfen Sie alle Muttern, Bolzen, Knöpfe, Schrauben, Befestigungsteile usw. auf festen Sitz.
5. Überprüfen Sie die beweglichen Teile auf Beschädigung, Bruch und Verschleiß. Lassen Sie beschädigte oder fehlende Teile reparieren oder ersetzen.
6. Nehmen Sie den Akku heraus, bevor Sie den Mäher lagern.
7. Lagern Sie den Mäher an einem kühlen, trockenen und abschließbaren Ort. Lagern Sie Mäher und Ladegerät nicht an Orten, an denen die Temperatur 40°C erreichen oder überschreiten kann.

Lagerung (Abb. 23, 24 und 25)

WARNUNG:

- Halten Sie den Mäher zum Tragen oder Lagern an seinem Bügelgriff und dem Frontgriff. Wird nur der Bügelgriff gehalten, kann es zu schweren Verletzungen oder einer Beschädigung des Mähers kommen.
1. Die Klemmschrauben lösen, die unteren Griffstangen auseinander spreizen, und dann den Bügelgriff nach vorn umklappen. Halten Sie dabei den Frontgriff sicher fest, damit er nicht auf die abgewandte Seite des Werkzeugs herunterfällt.
 2. Die Knebelmutter lösen, und den oberen Bügelgriff zurückklappen.

Um die SICHERHEIT und ZUVERLÄSSIGKEIT dieses Gerätes zu gewährleisten, sollten Reparatur-, Wartungs-, und Einstellarbeiten nur von autorisierten Kundendienstzentren von Makita unter ausschließlicher Verwendung von Makita-Originalersatzteilen ausgeführt werden.

FEHLERSUCHE

Bevor Sie den Reparaturdienst anrufen, führen Sie zunächst Ihre eigene Inspektion durch. Falls Sie ein Problem finden, das nicht in der Anleitung erläutert wird, versuchen Sie nicht, die Maschine zu zerlegen. Wenden Sie sich stattdessen an autorisierte Kundendienstzentren von Makita, und achten Sie darauf, dass stets Makita-Ersatzteile für Reparaturen verwendet werden.

Störungszustand	Ursache	Abhilfemaßnahme
Der Mäher startet nicht.	Es sind nicht beide Akkus eingesetzt.	Setzen Sie die geladenen Akkus ein.
	Akkustörung (Unterspannung)	Laden Sie den Akku auf. Falls Laden nichts nützt, tauschen Sie den Akku aus.
	Der Sperrschlüssel ist nicht eingesteckt.	Den Sperrschlüssel einstecken.
Der Motor bleibt nach kurzer Zeit stehen.	Der Ladestand des Akkus ist niedrig.	Laden Sie den Akku auf. Falls Laden nichts nützt, tauschen Sie den Akku aus.
	Die Schnitthöhe ist zu niedrig eingestellt.	Die Schnitthöhe anheben.
Die Maximaldrehzahl wird nicht erreicht.	Der Akku ist falsch eingesetzt.	Den Akku gemäß der Beschreibung in dieser Anleitung einsetzen.
	Die Akkuleistung lässt nach.	Laden Sie den Akku auf. Falls Laden nichts nützt, tauschen Sie den Akku aus.
	Das Antriebssystem funktioniert nicht korrekt.	Wenden Sie sich bezüglich einer Reparatur an Ihre Vertragswerkstatt.
Das Messer dreht sich nicht: Die Maschine unverzüglich stoppen!	Ein Fremdkörper, wie z. B. ein Ast, hat sich in der Nähe des Messers verklemmt.	Den Fremdkörper entfernen.
	Das Antriebssystem funktioniert nicht korrekt.	Wenden Sie sich bezüglich einer Reparatur an Ihre Vertragswerkstatt.
Ungewöhnliche Vibration: Die Maschine unverzüglich stoppen!	Das Messer ist unausgeglichen, übermäßig oder ungleichmäßig abgenutzt.	Das Messer austauschen.

014546

SONDERZUBEHÖR

ENG905-1

⚠ VORSICHT:

- Die folgenden Zubehörteile oder Vorrichtungen werden für den Einsatz mit der in dieser Anleitung beschriebenen Makita-Maschine empfohlen. Die Verwendung anderer Zubehörteile oder Vorrichtungen kann eine Verletzungsgefahr darstellen. Verwenden Sie Zubehörteile oder Vorrichtungen nur für ihren vorgesehenen Zweck.

Wenn Sie weitere Einzelheiten bezüglich dieser Zubehörteile benötigen, wenden Sie sich bitte an Ihre Makita-Kundendienststelle.

- Messer
- Original-Makita-Akku und -Ladegerät

HINWEIS:

- Manche Teile in der Liste können als Standardzubehör im Werkzeugsatz enthalten sein. Sie können von Land zu Land unterschiedlich sein.

Geräusch

Typischer A-bewerteter Geräuschpegel ermittelt gemäß 2000/14/EG:

Schalldruckpegel (L_{pA}): 81 dB (A)
Schalleistungspegel (L_{WA}): 93 dB (A)
Ungewissheit (K): 3 dB (A)

Gehörschutz tragen

ENG900-1

Vibration

Vibrationsgesamt看wert (Drei-Achsen-Vektorsumme) ermittelt gemäß EN60335:

Vibrationsemission (a_{h1}): 2,5 m/s² oder weniger
Ungewissheit (K): 1,5 m/s²

- Der angegebene Vibrationsemissionswert wurde im Einklang mit der Standardprüfmethode gemessen und kann für den Vergleich zwischen Maschinen herangezogen werden.
- Der angegebene Vibrationsemissionswert kann auch für eine Vorbewertung des Gefährdungsgrads verwendet werden.

⚠️ WARNUNG:

- Die Vibrationsemission während der tatsächlichen Benutzung des Elektrowerkzeugs kann je nach der Benutzungsweise der Maschine vom angegebenen Emissionswert abweichen.
- Identifizieren Sie Sicherheitsmaßnahmen zum Schutz des Benutzers anhand einer Schätzung des Gefährdungsgrads unter den tatsächlichen Benutzungsbedingungen (unter Berücksichtigung aller Phasen des Arbeitszyklus, wie z. B. Ausschalt- und Leerlaufzeiten der Maschine zusätzlich zur Betriebszeit).

ENH223-1

Nur für europäische Länder

EG-Übereinstimmungserklärung

Makita erklärt, dass die folgende(n) Maschine(n):

Bezeichnung der Maschine:

Akku Rasenmäher

Modell-Nr./ Typ: DLM380

Technische Daten: Siehe Tabelle "TECHNISCHE DATEN".

den folgenden europäischen Richtlinien entsprechen:

2000/14/EG, 2006/42/EG

gemäß den folgenden Standards oder standardisierten Dokumenten hergestellt werden:

EN60335

Die technische Akte in Übereinstimmung mit 2006/42/EG ist erhältlich von:

Makita International Europe Ltd.

Technische Abteilung,

Michigan Drive, Tongwell,

Milton Keynes, Bucks MK15 8JD, England

Das von der Richtlinie 2000/14/EG geforderte Konformitätsbewertungsverfahren war in Übereinstimmung mit Anhang VI.

Gemeldete Stelle:

TÜV Rheinland LGA Products GmbH

Tillystraße 2

90431 Nürnberg, Deutschland

Identifikationsnummer 0197

Gemessener Schalleistungspegel: 93 dB (A)

Garantierter Schalleistungspegel: 94 dB (A)

1.10.2013




Tomoyasu Kato
Direktor

Makita Corporation
3-11-8, Sumiyoshi-cho,
Anjo, Aichi, 446-8502, JAPAN

Visione generale

1	Leva di chiusura coperchio batteria	13	Sporgenza	27	Lama
2	Coperchio batteria	14	Punto perno	28	Chiave
3	Batteria	15	Manubrio inferiore	29	Legname
4	Chiave di blocco	16	Vite di fermo	30	Portalama
5	Marchio di stella	17	Per stringere	31	Rondella piatta
6	Indicatore della batteria	18	Per allentare	32	Rondella elastica
7	Bottone interruttore	19	Scanalatura	33	Bullone
8	Leva interruttore	20	Manubrio superiore	34	Gancio
9	Leva di regolazione altezza taglio	21	Fori	35	Cassetto erba
10	Perni	22	Dado di fermo	36	Manico
11	Indicatore di altezza erba	23	Rondella curva	37	Protezione posteriore
12	Foro	24	Vite		
		25	Fermaglio		
		26	Cavo elettrico		

DATI TECNICI

Modello		DLM380	
Larghezza di taglio		380 mm	
Velocità a vuoto		3.700 min ⁻¹	
Dimensioni (L x P x A)	durante il funzionamento	1.145 mm x 465 mm x 1.023 mm – 1.070 mm	
	durante l'immagazzinaggio	680 mm x 470 mm x 505 mm	
Tensione nominale		C.c. 36 V	
Batteria standard  Avvertimento: Usare soltanto le batterie specificate.		BL1815N	BL1830 / BL1840
Peso netto		14,5 kg	15,0 kg

- Per il nostro programma di ricerca e sviluppo continui, i dati tecnici sono soggetti a modifiche senza preavviso.
- I dati tecnici e la cartuccia batteria potrebbero differire da paese a paese.
- Peso, con batteria, secondo la Procedura EPTA 01/2003

END016-5









- Soltanto per i Paesi dell'unione europea. Questo apparecchio elettrico o la batteria non devono essere gettati via con i rifiuti domestici. In conformità alle Direttive Europee riguardanti gli apparecchi elettrici ed elettronici, le batterie e gli accumulatori di scarto, e le batterie e gli accumulatori di scarto, e alle loro implementazioni secondo le leggi nazionali, gli apparecchi elettrici, le batterie e i pacchi batteria che hanno raggiunto la fine della loro vita di servizio devono essere raccolti separatamente e portati in un centro di riciclaggio compatibile con l'ambiente.


GEB091-6

SIMBOLI

Per questo utensile vengono usati i simboli seguenti. Bisogna capire il loro significato prima di usare l'utensile.

-  • Prestare una particolare cura e attenzione.
-  • Leggere il manuale di istruzioni.
-  • Pericolo: fare attenzione agli oggetti scagliati.
-  • La distanza tra il tosaerba e gli astanti deve essere di almeno 15 m.
-  • Non si devono mai mettere le mani e i piedi vicino alla lama sotto il tosaerba.
-  • Rimuovere la chiave di blocco prima di ispezionare, regolare, pulire, fare la manutenzione, lasciare e immagazzinare il tosaerba.

ISTRUZIONI IMPORTANTI DI SICUREZZA

 **AVVERTIMENTO!** Leggere tutti gli avvertimenti per la sicurezza e le istruzioni. La mancata osservanza degli avvertimenti e delle istruzioni può causare scosse elettriche, incendio e/o gravi incidenti.

Conservare tutti gli avvertimenti e le istruzioni per riferimenti futuri.

1. Non inserire la chiave nel tosaerba finché esso non è pronto per l'uso.

2. Questo prodotto non deve essere usato dalle persone (bambini compresi) con capacità fisiche, sensoriali o mentali ridotte, senza esperienza e conoscenza, a meno che non siano sotto la supervisione o ricevano istruzioni per il suo utilizzo da una persona responsabile della loro sicurezza.
3. I bambini devono essere sorvegliati, per essere sicuri che non giochino con il prodotto.
4. Non si deve mai permettere l'uso del tosaerba ai bambini o alle persone senza familiarità con queste istruzioni. Le leggi vigenti locali potrebbero limitare l'età dell'operatore.
5. Il tosaerba non deve mai essere fatto funzionare se nelle vicinanze ci sono persone, soprattutto bambini, o animali domestici.
6. Tenere presente che l'operatore o l'utilizzatore è responsabile degli incidenti o pericoli che possono capitare alle altre persone o alle loro proprietà.
7. Durante il funzionamento del tosaerba, indossare sempre calzature appropriate e pantaloni lunghi. Non far funzionare il tosaerba a piedi scalzi o indossando sandali infradito. Evitare di indossare abiti ampi o gioielli non aderenti o che hanno catenelle, o cravatte. Essi possono impigliarsi sulle parti mobili.
8. Far funzionare il tosaerba soltanto di giorno o con una buona illuminazione artificiale.
9. Evitare di far funzionare il tosaerba sull'erba bagnata.
10. Non si deve mai usare il tosaerba sotto la pioggia.
11. Utilizzo e cura dell'utensile a batteria
 - Ricaricare soltanto con il caricatore specificato dal produttore. Un caricatore che è adatto a un tipo di cartuccia batteria potrebbe creare un rischio di incendio se usato con una cartuccia batteria diversa.
 - Usare gli utensili elettrici soltanto con le cartucce batteria specificamente designate. L'impiego di qualsiasi altra cartuccia batteria potrebbe creare il rischio di un incidente o incendio.
 - Se non si usa la cartuccia batteria, evitare di tenerla con altri oggetti metallici, come graffette, monete, chiavi, chiodi, viti o altri piccoli oggetti metallici, che potrebbero causare una connessione da un terminale all'altro. Il corto circuito dei terminali della batteria potrebbe causare bruciature o un incendio.
 - In condizioni di trattamento rude, la batteria potrebbe espellere del liquido; evitare ogni contatto. Se accidentalmente si verifica un contatto, sciacquare con acqua. Se del liquido dovesse finire negli occhi, rivolgersi anche a un medico. Il liquido espulso dalla batteria potrebbe causare irritazioni o bruciori.
12. Mantenere sempre una presa salda sul manico.
13. Stare sempre attenti a dove posare i piedi sui pendii.
14. Camminare, mai correre.
15. Per sollevare o tenere il tosaerba non si deve mai prenderlo per le lame o bordi taglienti esposti.
16. Condizione fisica — Il tosaerba non deve essere usato dopo l'ingestione di droghe, alcol o di una qualsiasi medicina.
17. Mantenere le protezioni in posizione e in buono stato.
18. Tenere le mani e i piedi lontani dalle lame rotanti. Attenzione — La lama continua a girare per inerzia dopo lo spegnimento del tosaerba.
19. Rimuovere la chiave prima della manutenzione, pulizia o rimozione di materiali dall'attrezzatura di giardinaggio.
20. Usare soltanto le lame del produttore genuine specificate in questo manuale.
21. Controllare con cura che le lame non presentino crepe o altri danni prima di cominciare il lavoro. Sostituire immediatamente le lame se presentano crepe o altri danni.
22. Accertarsi che non ci siano persone vicine prima di cominciare a usare il tosaerba. Fermare il tosaerba se qualcuno entra nell'area di lavoro.
23. Rimuovere gli oggetti estranei, come sassi, cavi, bottiglie, ossi e grossi stecchi dall'area di lavoro prima di usare il tosaerba, per evitare infortuni o di danneggiare il tosaerba stesso.
24. Smettere immediatamente di usarlo se si nota un qualcosa di anormale. Spegnerlo il tosaerba e rimuovere la chiave dall'utensile. Ispezionare poi il tosaerba.
25. Non si deve mai cercare di regolare l'altezza delle ruote mentre il tosaerba sta funzionando.
26. Rilasciare la leva interruttore e aspettare l'arresto della rotazione della lama prima di attraversare passi carrai, marciapiedi, strade e qualsiasi terreno coperto di ghiaia. Sfilare inoltre la chiave per lasciarlo, sporgersi per prendere o togliere qualcosa dal suo percorso, o per qualsiasi altro motivo che potrebbe distrarre da ciò che si sta facendo.
27. Gli oggetti colpiti dalla lama del tosaerba possono causare severi infortuni alle persone. Esaminare sempre attentamente il prato e togliere tutti gli oggetti ogni volta prima di tagliare l'erba.
28. Se il tosaerba colpisce un oggetto estraneo, procedere come segue:
 - Arrestare il tosaerba, rilasciare la leva interruttore e aspettare finché la lama non si è arrestata completamente.
 - Rimuovere la chiave di blocco e la batteria.
 - Ispezionare attentamente il tosaerba per accertarsi che non ci siano danni.
 - Sostituire la lama se presenta un qualsiasi danno.
 Riparare ogni danno prima di continuare a usare il tosaerba.
29. Controllare frequentemente che il sacco posteriore non sia usurato o deteriorato. Prima di immagazzinare il tosaerba, accertarsi sempre che il sacco posteriore sia vuoto. Per la sicurezza, sostituire il sacco posteriore con un ricambio nuovo della fabbrica se è usurato.
30. Arrestare il motore e rimuovere la chiave ogni volta che si lascia il tosaerba, prima di pulirlo e di qualsiasi riparazione o ispezione.
31. Usare estrema cautela quando si inverte il movimento o si tira il tosaerba verso di sé.

32. Arrestare le lame se bisogna inclinare il tosaerba per il trasporto o per attraversare superfici non erbose, e quando lo si trasporta sul luogo di utilizzo e da esso.
33. Il tosaerba non deve mai essere fatto funzionare con protezioni o schermi difettosi, o senza i dispositivi di protezione, per esempio, senza i deflettori e/o i raccoglitori dell'erba in posizione.
34. Accendere con cura il motore secondo le istruzioni e con i piedi ben lontani dalle lame.
35. Non inclinare il tosaerba quando si accende il motore, eccetto quando esso deve essere inclinato per l'avviamento. In questo caso, non inclinarlo più dell'assoluto necessario, e sollevare soltanto la parte discosta dall'operatore.
36. Non avviare il tosaerba stando di fronte all'apertura di scarico.
37. Non mettere le mani o i piedi vicino o sotto le parti rotanti. Stare sempre discosti dall'apertura di scarico.
38. Non trasportare il tosaerba mentre è acceso.
39. Fermare il tosaerba e rimuovere il dispositivo di disattivazione. Accertarsi che tutte le parti mobili si siano arrestate completamente:
 - ogni volta che si lascia il tosaerba,
 - prima di togliere i blocchi o di liberare da impedimenti lo scivolo,
 - prima di controllare, pulire o lavorare sul tosaerba,
 - dopo che il tosaerba ha colpito un oggetto estraneo. Ispezionare il tosaerba per danni e fare le riparazioni prima di riavviarlo o di farlo funzionare.
40. Se il tosaerba comincia a vibrare in modo anormale (controllare immediatamente)
 - ispezionare se ci sono danni,
 - sostituire o riparare ogni parte danneggiata,
 - controllare e stringere ogni parte allentata.
41. Fare attenzione durante la regolazione del tosaerba, in modo da evitare che le dita rimangano incastrate tra le lame mobili e le parti fisse di esso.
42. Tagliare l'erba di traverso lungo la faccia dei pendii, mai su e giù. Fare la massima attenzione quando si cambia direzione sui pendii. Non tagliare l'erba su pendii eccessivamente ripidi.
43. Non lavare il tosaerba con una manichetta. Evitare di spruzzare acqua sul motore o sugli allacciamenti elettrici.
44. Controllare a frequenti intervalli che il bullone di montaggio della lama sia stretto correttamente.
45. Mantenere stretti tutti i bulloni, dadi e viti, per assicurare che il tosaerba sia in buone condizioni di lavoro.
46. Lasciare sempre raffreddare il tosaerba prima di immagazzinarlo.
47. Prima di un intervento sulla lama, tenere presente che anche se il tosaerba è spento, la lama può lo stesso muoversi.
48. Per motivi di sicurezza, sostituire le parti usurate o danneggiate. Usare soltanto ricambi e accessori genuini.

CONSERVARE QUESTE ISTRUZIONI.



AVVERTIMENTO:

NON lasciare che comodità o la familiarità d'utilizzo con il prodotto (acquisita con l'uso ripetuto) sostituisca la stretta osservanza delle norme di sicurezza. L'utilizzo SBAGLIATO o la mancata osservanza delle norme di sicurezza di questo manuale di istruzioni potrebbero causare lesioni serie.

ENC007-8

ISTRUZIONI IMPORTANTI DI SICUREZZA

PER LA CARTUCCIA DELLA BATTERIA

1. Prima di usare la cartuccia della batteria, leggere tutte le istruzioni e le avvertenze sul (1) caricabatteria, sulla (2) batteria e sul (3) prodotto che utilizza la batteria.
2. Non smontare la cartuccia della batteria.
3. Se il tempo di utilizzo è diventato molto corto, smettere immediatamente di usare l'utensile. Può risultare un rischio di surriscaldamento, possibili ustioni e addirittura un'esplosione.
4. Se l'elettrolita va negli occhi, risciacquarli con acqua pulita e rivolgersi immediatamente ad un medico. Può risultare la perdita della vista.
5. Non cortocircuitare la cartuccia della batteria:
 - (1) Non toccare i terminali con alcun materiale conduttivo.
 - (2) Evitare di mettere la cartuccia batteria in un contenitore con altri oggetti metallici, come chiodi, monete, ecc.
 - (3) Non esporre la cartuccia batteria all'acqua o alla pioggia.
 Un cortocircuito della batteria può causare un grande flusso di corrente, il surriscaldamento, possibili ustioni e addirittura un guasto.
6. Non conservare l'utensile e la cartuccia della batteria in luoghi in cui la temperatura può raggiungere o superare i 50°C.
7. Non incenerire la cartuccia della batteria anche se è gravemente danneggiata o è completamente esaurita. La cartuccia della batteria può esplodere e provocare un incendio.
8. Fare attenzione a non lasciar cadere o colpire la batteria.
9. Non usare una batteria danneggiata.
10. Rispettare le norme locali sullo smaltimento delle batterie.

CONSERVARE QUESTE ISTRUZIONI.

Suggerimenti per mantenere la durata massima della batteria

1. Caricare la cartuccia della batteria prima che si scarichi completamente. Arrestare sempre l'utensile e caricare la cartuccia batteria quando si nota un suo calo di potenza.
2. Non ricaricare mai una cartuccia della batteria completamente carica. La sovraccarica riduce la vita di servizio della batteria.
3. Caricare la cartuccia della batteria con la temperatura ambiente da 10°C a 40°C. Lasciare raffreddare una cartuccia batteria calda prima di caricarla.

4. **Caricare la cartuccia della batteria una volta ogni sei mesi se non si intende usarla per un lungo periodo di tempo.**

DESCRIZIONE FUNZIONALE

Installazione o rimozione della batteria

ATTENZIONE:

- Spegnere sempre l'utensile prima di inserire o di rimuovere la cartuccia batteria.
- Prima dell'uso, accertarsi di aver chiuso il coperchio della batteria. In caso contrario, fango, sporco o acqua potrebbero danneggiare il prodotto o la cartuccia batteria.
- Installare sempre completamente la cartuccia batteria, finché l'indicatore rosso non è più visibile. In caso contrario, essa potrebbe accidentalmente cadere fuori dall'utensile ferendo l'operatore o qualcuno vicino.
- Non installare la cartuccia batteria usando forza. Se non scorre facilmente in posizione, vuol dire che non viene inserita correttamente.

NOTA:

- Questo utensile non può funzionare con una sola cartuccia batteria.

Per installare la batteria;

1. Tirare verso di sé la leva di chiusura coperchio batteria, e aprire il coperchio batteria. **(Fig. 1)**
2. Per installare la cartuccia batteria, allineare l'appendice della batteria sulla scanalatura dell'alloggiamento e spingere in posizione. Inserirla completamente finché si blocca in posizione con un piccolo scatto. Se l'indicatore rosso è visibile sul lato superiore del bottone, vuol dire che non è bloccata completamente. **(Fig. 2)**
3. Inserire la chiave di blocco nel punto mostrato nella illustrazione finché non può andare più oltre. **(Fig. 3)**
4. Chiudere il coperchio batteria e spingerlo finché è agganciato alla leva di chiusura.

Per rimuovere la batteria dal tosaerba:

1. Tirare verso di sé la leva di chiusura coperchio batteria, e aprire il coperchio batteria.
2. Spingerla fuori dall'utensile spingendo allo stesso tempo il bottone sulla parte anteriore della cartuccia batteria.
3. Estrarre la chiave di blocco.
4. Chiudere il coperchio batteria.

Sistema di protezione batteria

L'utensile è dotato di un sistema di protezione dell'utensile/batteria. Questo sistema interrompe automaticamente la corrente al motore per estendere la vita di servizio dell'utensile e della batteria.

L'utensile si arresta automaticamente mentre funziona se esso o la batteria vengono a trovarsi in una delle condizioni seguenti. In alcune condizioni, gli indicatori si accendono.

Protezione dal sovraccarico

Se si usa l'utensile in un modo che causa un assorbimento anormalmente alto di corrente, esso si arresta automaticamente senza alcuna indicazione. In tal caso, spegnere l'utensile e terminare l'operazione che ha causato il sovraccarico dell'utensile. Accendere poi l'utensile per ricominciare.

Protezione dal surriscaldamento

Quando l'utensile o la batteria si surriscaldano, esso si arresta automaticamente senza alcuna indicazione. L'utensile non si avvia anche se si cerca di accenderlo. In tal caso, lasciare che l'utensile o la batteria si raffreddino prima di riaccendere l'utensile.

NOTA:

- La funzione di protezione dal surriscaldamento delle batterie si attiva soltanto con le batterie con il marchio di stella. La funzione di protezione dal surriscaldamento delle batterie si attiva con qualsiasi cartuccia batteria. **(Fig. 4)**

Protezione da eccessivo scaricamento (Fig. 5)

Quando la capacità restante della batteria diventa bassa, l'indicatore della batteria lampeggia sul lato corrispondente dalla batteria. Se si continua a usare l'utensile, esso si arresta e l'indicatore della batteria rimane acceso per circa 10 secondi. In tal caso, caricare la cartuccia batteria.

Funzionamento dell'interruttore di corrente

AVVERTIMENTO:

- **Prima di installare la cartuccia batteria nell'utensile, controllare sempre che la leva interruttore funzioni correttamente e che torni sulla sua posizione originale quando viene rilasciato.** Se si fa funzionare il tosaerba con l'interruttore che non funziona correttamente, si può verificare una perdita di controllo e un serio infortunio.

NOTA:

- Se si cerca di tagliare troppa erba alla volta, il motore potrebbe non partire a causa del sovraccarico. Cambiare allora l'altezza di taglio a un livello più alto per riavviarlo.
- Il tosaerba non funziona se non si preme il bottone interruttore, anche se si tira la leva interruttore.

Questo tosaerba è dotato dell'interruttore di asservimento e dell'interruttore del manico. Se si nota qualcosa di anormale con questi interruttori, smettere immediatamente di farlo funzionare e farli controllare dal Centro di Servizio Makita autorizzato più vicino.

1. Installare le cartucce batteria. Inserire la chiave di bloccaggio nell'interruttore di asservimento e chiudere poi il coperchio della batteria. **(Fig. 3)**
2. Premere il bottone interruttore.
3. Tirare verso di sé la leva interruttore premendo allo stesso tempo il bottone interruttore.
4. Rilasciare il bottone interruttore non appena il motore comincia ad avviarsi. Il tosaerba continua a muoversi finché si rilascia la leva interruttore. **(Fig. 6)**
5. Rilasciare la leva interruttore per arrestare il motore.
6. Quando non si usa il tosaerba, rimuovere la chiave di blocco. Conservare la chiave di blocco in un posto sicuro, fuori della portata dei bambini.

Regolazione dell'altezza di taglio (Fig. 7)

AVVERTIMENTO:

- Non si devono mai mettere le mani o i piedi sotto il tosaerba quando si regola l'altezza di taglio.
- Accertarsi sempre che la leva entri correttamente nella scanalatura prima di cominciare il lavoro.

L'altezza di taglio può essere regolata nella gamma 25 mm – 75 mm.

1. Rimuovere la chiave di blocco.
2. Tirare la leva di regolazione altezza di taglio verso il lato A. Spostarla sul livello dell'altezza di taglio desiderata. Accertarsi che i perni sulla leva di regolazione altezza di taglio entrino nei fori, e che la leva torni sul lato B.

NOTA:

- Le cifre dell'altezza di taglio devono essere usate come indicazioni generali, in quanto per lo stato del prato o del terreno l'altezza di taglio potrebbe essere leggermente diversa da quella indicata dalle cifre.
- Provare un taglio di prova dell'erba in un posto meno in evidenza, in modo da ottenere l'altezza desiderata.
- Tenendo saldamente l'utensile diventa più facile spostare la leva di regolazione altezza taglio. (Fig. 8)

Indicatore di altezza erba (Fig. 9)

L'indicatore di altezza erba mostra il volume dell'erba tagliata.

- Se il cassetto erba non è pieno, l'indicatore fluttua durante il taglio dell'erba.
- Quando il cassetto erba è pieno, l'indicatore non fluttua durante il taglio dell'erba. In tal caso, smettere immediatamente di tagliare l'erba e vuotare il cassetto. Dopo aver vuotato il cassetto, pulirlo in modo che il suo reticolo possa ventilare l'aria.

NOTA:

- Questo indicatore è una guida approssimativa. A seconda delle condizioni all'interno del cassetto, questo indicatore potrebbe non funzionare correttamente.

MONTAGGIO

⚠ AVVERTIMENTO:

- **Accertarsi sempre che la chiave di blocco e la batteria siano state rimosse prima di eseguire l'intervento sul tosaerba.** Se non si rimuovono la chiave di blocco e la batteria, si potrebbe verificare un serio infortunio per l'avviamento accidentale del tosaerba.
- **Non si deve mai avviare il tosaerba se non è stato completamente montato.** L'uso del tosaerba in uno stato di montaggio parziale, potrebbe causare un serio infortunio per il suo avviamento accidentale.

Installazione del coperchio della batteria

⚠ AVVERTIMENTO:

- Non inserire la chiave di blocco e la cartuccia batteria prima di installare il coperchio della batteria. C'è altrimenti il pericolo di un serio incidente.

Installare completamente il coperchio della batteria prima di usare l'utensile, per proteggere l'utensile stesso e la cartuccia batteria dal fango, sporco o acqua.

1. Sistemare il coperchio della batteria sull'utensile allineando le sporgenze dell'utensile sui fori del coperchio della batteria. (Fig. 10)
2. Mettere le mani nel mezzo del coperchio della batteria e premerlo giù. (Fig. 11)

3. Prima di usare l'utensile per la prima volta, controllare che il punto di perno del coperchio della batteria sia montato correttamente. Per controllarlo, tirare la leva di chiusura coperchio batteria e aprire il coperchio della batteria. (Fig. 12)

Installazione del manico (Fig. 13, 14 e 15)

⚠ AVVERTIMENTO:

- Quando si installano i manici, posizionare i cavi in modo che non rimangano impigliati tra i manici.
1. Allentare le viti di fermo (due).
 2. Espandere il manico inferiore su entrambi i suoi lati e, nella sua posizione di espansione, girarlo indietro e montarlo sulla scanalatura della carrozzeria.
 3. Stringere le viti di fermo su entrambi i lati per fissare il manico inferiore.
 4. Sollevare il manico superiore e allineare i suoi fori degli viti con quelli del manico inferiore. Fissarli con le viti in dotazione, rondelle curve e dadi di fermo.

NOTA:

- A questo punto, tenere saldamente il manubrio superiore in modo da non farlo cadere.

NOTA:

- Installare il manico superiore in modo che la sua direzione e il cavo di alimentazione siano posizionati come mostrato nella illustrazione. (Fig. 16)

Rimozione o installazione della lama (Fig. 17 e 18)

⚠ AVVERTIMENTO:

- Rimuovere sempre la chiave di blocco e la batteria quando si rimuove o installa la lama. La mancata rimozione della chiave di blocco e della batteria potrebbe causare un serio infortunio.
 - La lama continua a girare per inerzia per alcuni secondi dopo che si è rilasciato l'interruttore. Accertarsi che la lama si sia arrestata completamente.
 - Indossare sempre i guanti quando si maneggia la lama.
1. Sistemare il tosaerba su un fianco in modo che la leva di regolazione altezza taglio venga a trovarsi in alto.
 2. Per bloccare la lama, inserire nel tosaerba del legname o qualcosa di simile.
 3. Allentare il bullone in senso antiorario con la chiave a tubo.
 4. Rimuovere il bullone, rondella elastica, rondella piatta e la lama, in quest'ordine.

Per installare la lama, seguire il procedimento opposto di rimozione.

⚠ AVVERTIMENTO:

- Installare con cura la lama, in quanto le lame hanno un lato superiore/inferiore.
- Stringere saldamente il bullone in senso orario per fissare la lama.
- Montare la lama con il lato che ha la freccia di direzione della rotazione rivolto verso l'esterno.
- Accertarsi che la lama sia installata saldamente.

Installare il cassetto erba (Fig. 19 e 20)

Rimuovere la chiave di blocco.

Sollevare la protezione posteriore del tosaerba.

Agganciare il cassetto erba alla scanalatura del tosaerba.

FUNZIONAMENTO

Taglio dell'erba

AVVERTIMENTO:

- Prima di tagliare l'erba, togliere gli stecchi e i sassi dall'area di taglio. Inoltre, togliere prima le erbacce dall'area di taglio.
- Indossare sempre occhiali di protezione o occhiali di sicurezza con schermi laterali quando si usa il tosaerba.

Tenere saldamente il manico del tosaerba con entrambe le mani durante il taglio dell'erba.

La larghezza tra le ruote anteriori mostra la linea guida del campo di taglio dell'erba. Per un taglio uniforme, tagliare l'erba passando parzialmente sopra l'area tagliata precedentemente.

Controllare periodicamente il livello dell'erba nel cassetto, e svuotarlo prima che diventi pieno. Prima di ogni controllo periodico, arrestare il tosaerba e rimuovere la chiave di blocco e la cartuccia batteria.

NOTA:

- L'uso del tosaerba con il cassetto erba pieno impedisce la scorrevole rotazione della lama ed esercita una pressione extra sul motore che potrebbe causare un guasto.

Taglio dell'erba alta di un prato (Fig. 21)

Non si deve cercare di tagliare un prato di erba alta in una volta. Tagliare invece l'erba del prato in fasi, interrompendo il taglio per uno o due giorni tra un taglio e l'altro finché l'erba è uniformemente corta.

NOTA:

- Se si cerca di tagliare corta in una volta l'erba alta, l'erba potrebbe morire e/o bloccare l'interno del tosaerba.

Svuotamento del cassetto erba (Fig. 22)

AVVERTIMENTO:

- Per ridurre il rischio di un incidente, controllare regolarmente se il cassetto erba presenta danni o se la sua robustezza si è indebolita, e sostituirlo se necessario.

1. Rilasciare la leva interruttore.
2. Rimuovere la chiave di blocco.
3. Aprire la protezione posteriore e togliere il cassetto erba con il suo manico.
4. Svuotare il cassetto erba.

MANUTENZIONE E IMMAGAZZINAGGIO

AVVERTIMENTO:

- Accertarsi sempre di aver rimosso la chiave di blocco e la batteria dal tosaerba prima dell'immagazzinaggio o di un intervento di ispezione o di manutenzione.
- Indossare i guanti quando si esegue l'ispezione o la manutenzione.

ATTENZIONE:

- Mai usare benzina, benzene, solventi, alcol e altre sostanze simili. Potrebbero causare scolorimenti, deformazioni o crepe.

MANUTENZIONE

1. RIMUOVERE LA CHIAVE DI BLOCCO. Conservarla in un posto sicuro fuori della portata dei bambini.
2. Pulire il tosaerba usando soltanto una soluzione detergente debole e un panno umido. Non spruzzare o versare acqua sul tosaerba quando lo si pulisce.
3. Mettere il tosaerba su un fianco e togliere i residui d'erba che si sono accumulati sulla parte inferiore della carrozzeria.
4. Controllare che tutti i dadi, bulloni, manopole, viti, chiusure, ecc., siano stretti saldamente.
5. Ispezionare che le parti mobili non siano danneggiate, rotte o usurate. Far riparare ogni parte danneggiata o mancante.
6. Prima di immagazzinare il tosaerba, rimuovere da esso la batteria.
7. Immagazzinare il tosaerba al coperto, in un luogo fresco, asciutto e sotto chiave. Non immagazzinare il tosaerba e il caricatore in luoghi dove la temperatura potrebbe raggiungere o superare i 40°C.

Immagazzinaggio (Fig. 23, 24 e 25)

AVVERTIMENTO:

- Per il trasporto o l'immagazzinaggio del tosaerba, prenderlo per entrambi il manico e l'impugnatura anteriore. Se si tiene soltanto il manico, c'è pericolo di un serio incidente o di danneggiare il tosaerba.

1. Allentare le vite di fermo, espandere il manico inferiore su entrambi i lati e spostare poi il manico giù in avanti. A questo punto, tenere saldamente l'impugnatura anteriore in modo che non cada sul lato lontano dall'utensile.
2. Allentare il dado di fermo e girare indietro il manico superiore.

Per preservare la SICUREZZA e l'AFFIDABILITÀ affidabilità del prodotto, le riparazioni, la manutenzione o la regolazione devono essere eseguite da un Centro Assistenza Makita autorizzato usando sempre ricambi Makita.

SOLUZIONE DEI PROBLEMI

Eseguire da soli l'ispezione prima di richiedere la riparazione. Se si trova un problema che non è spiegato nel manuale, non cercare di smontare il tosaerba. Rivolgersi invece a un Centro Assistenza Makita autorizzato, usando sempre i ricambi Makita per le riparazioni.

Stato di malfunzionamento	Causa	Rimedio
Il tosaerba non si avvia.	Le due cartucce batteria non sono state installate.	Installare le cartucce batteria caricate.
	Problema della batteria (carica insufficiente)	Ricaricare la cartuccia batteria. Se la ricarica non produce risultati, sostituire la cartuccia batteria.
	La chiave di blocco non è stata inserita.	Inserire la chiave di blocco.
Il motore si arresta dopo poco tempo.	La carica della batteria è bassa.	Ricaricare la cartuccia batteria. Se la ricarica non produce risultati, sostituire la cartuccia batteria.
	L'altezza di taglio è regolata troppo bassa.	Aumentare l'altezza.
Non raggiunge i massimi giri/minuto.	La cartuccia batteria non è installata correttamente.	Installare la batteria come descritto nel manuale.
	La potenza della batteria cala.	Ricaricare la cartuccia batteria. Se la ricarica non produce risultati, sostituire la cartuccia batteria.
	Il sistema di trasmissione non funziona correttamente.	Chiedere la riparazione al Centro di Servizio autorizzato locale.
La lama non gira: arrestare immediatamente la macchina.	Nella lama è incastrato un oggetto estraneo, come un ramoscello.	Rimuovere l'oggetto estraneo.
	Il sistema di trasmissione non funziona correttamente.	Chiedere la riparazione al Centro di Servizio autorizzato locale.
Vibrazione anormale: arrestare immediatamente la macchina.	La lama è sbilanciata, usurata eccessivamente o in modo disuguale.	Sostituire la lama.

014546

ACCESSORI OPZIONALI

ATTENZIONE:

- Questi accessori o attrezzi sono consigliati per l'uso con l'utensile Makita specificato in questo manuale. L'impiego di altri accessori o attrezzi può costituire un rischio di lesioni alle persone. Usare gli accessori soltanto per il loro scopo prefissato.

Per ottenere assistenza per maggiori dettagli su questi accessori, rivolgersi a un centro di assistenza Makita locale.

- Lama
- Batteria e caricatore Makita genuini

NOTA:

- Alcuni articoli nella lista potrebbero essere inclusi nell'imballo dell'utensile come accessori standard. Essi potrebbero differire da paese a paese.

ENG905-1

Rumore

Livello tipico del rumore pesato A determinato in conformità a 2000/14/CE:

- Livello pressione sonora (L_{pA}): 81 dB (A)
- Livello di potenza sonora (L_{WA}): 93 dB (A)
- Incertezza (K): 3 dB (A)

Indossare i paraorecchi

ENG900-1

Vibrazione

Il valore totale di vibrazione (somma vettore triassiale) determinato secondo EN60335:

- Emissione di vibrazione (a_h): 2,5 m/s² o meno
- Incertezza (K): 1,5 m/s²

- Il valore di emissione delle vibrazioni dichiarato è stato misurato conformemente al metodo di test standard, e può essere usato per paragonare un utensile con un altro.
- Il valore di emissione delle vibrazioni dichiarato può anche essere usato per una valutazione preliminare dell'esposizione.

⚠ AVVERTIMENTO:

- L'emissione delle vibrazioni durante l'uso reale dell'utensile elettrico può differire dal valore di emissione dichiarato a seconda dei modi in cui viene usato l'utensile.
- Identificare le misure di sicurezza per la protezione dell'operatore basate sulla stima dell'esposizione nelle condizioni reali d'utilizzo (tenendo presente tutte le parti del ciclo operativo, come le volte in cui l'utensile viene spento e quando gira a vuoto, oltre al tempo di funzionamento).

ENH223-1

Modello per l'Europa soltanto

Dichiarazione CE di conformità

Makita dichiara che la macchina seguente:

Designazione della macchina:

Tosaerba a batteria

Modello No./Tipo: DLM380

Dati tecnici: vedere la tabella "DATI TECNICI".

conformi alle direttive europee seguenti:

2000/14/CE, 2006/42/CE

È fabbricata in conformità allo standard o documenti standardizzati seguenti:

EN60335

La documentazione tecnica conforme a 2006/42/CE è disponibile da:

Makita International Europe Ltd.

Reparto tecnico,

Michigan Drive, Tongwell,

Milton Keynes, Bucks MK15 8JD, Inghilterra

La procedura di determinazione della conformità richiesta dalla Direttiva 2000/14/CE è stata eseguita conformemente all'allegato VI.

Ente notificato:

TÜV Rheinland LGA Products GmbH

Tillystraße 2

90431 Nürnberg, Germania

Numero di identificazione 0197

Livello di potenza sonora misurato: 93 dB (A)

Livello di potenza sonora garantito: 94 dB (A)

1.10.2013



Tomoyasu Kato

Amministratore

Makita Corporation


3-11-8, Sumiyoshi-cho,

Anjo, Aichi, 446-8502, JAPAN

Verklaring van algemene gegevens

1 Accudeksel-borghendel	15 Onderste handgreep	29 Houtblok
2 Accudeksel	16 Klemschroef	30 Snijbladsteun
3 Accu	17 Vastzetten	31 Platte ring
4 Contactsleutel	18 Losdraaien	32 Veerring
5 Stermarkering	19 Gleuf	33 Bout
6 Accuverklikkerlampje	20 Bovenste handgreep	34 Haak
7 Schakelknop	21 Gaten	35 Grasmand
8 Schakelhendel	22 Klemmoer	36 Handgreep
9 Maaihoogte-instelhendel	23 Gebogen ring	37 Achterscherm
10 Nokken	24 Schroef	
11 Graszamelwijzer	25 Kabelklem	
12 Gat	26 Snoer	
13 Uitstekende nok	27 Snijblad	
14 Scharnierpunt	28 Ringsleutel	

TECHNISCHE GEGEVENS

Model		DLM380	
Maaibreedte		380 mm	
Toerental onbelast		3 700 min ⁻¹	
Afmetingen (L x B x H)	tijdens gebruik	1 145 mm x 465 mm x 1 023 mm – 1 070 mm	
	bij opslag	680 mm x 470 mm x 505 mm	
Nominale spanning		DC 36 V	
 Standaardaccu('s) ⚠ Waarschuwing: Gebruik alleen de voorgeschreven accu('s).		BL1815N	BL1830 / BL1840
Netto gewicht		14,5 kg	15,0 kg

- In verband met ononderbroken research en ontwikkeling behouden wij ons het recht voor bovenstaande technische gegevens te wijzigen zonder voorafgaande kennisgeving.
- De technische gegevens en de accu kunnen van land tot land verschillen.
- Gewicht, inclusief accu, volgens de EPTA-procedure 01/2003



- Verwijder de contactsleutel vóór het inspecteren, bijstellen, reinigen, onderhouden, achterlaten of opbergen van de grasmaaier.






- Alleen voor EU-landen
Geef elektrisch gereedschap of accu's niet met het huisvuil mee!

Met inachtneming van de Europese Richtlijnen betreffende afgedankte elektrische en elektronische apparatuur, batterijen en accu's, inclusief wegwerp-batterijen en opgebruikte accu's, en de implementatie van deze richtlijnen in overeenstemming met nationale wetgeving, moeten elektrische apparaten, batterijen en accu's die het einde van hun levensduur bereikt hebben, gescheiden worden ingezameld en worden ingeleverd bij een recyclingbedrijf dat aan de milieुरichtlijnen voldoet.

END016-5

SYMBOLLEN

Voor dit gereedschap worden de volgende symbolen gebruikt. Zorg ervoor dat u de betekenis van deze symbolen begrijpt alvorens het gereedschap te gebruiken.

-  • Wees vooral voorzichtig en let goed op.
-  • Lees de gebruiksaanwijzing.
-  • Gevaar; pas op voor rondvliegende voorwerpen.
-  • Omstanders moeten een afstand van zeker 15 meter bewaren tot het gereedschap.
-  • Breng nooit uw handen of voeten dichtbij het snijblad onder de grasmaaier.

BELANGRIJKE VEILIGHEIDSVORSCHRIFTEN

⚠ WAARSCHUWING! Lees alle veiligheids waarschuwingen en alle instructies. Het niet volgen van de waarschuwingen en instructies kan leiden tot elektrische schokken, brand en/of ernstig letsel.

Bewaar alle waarschuwingen en instructies om in de toekomst te kunnen raadplegen.

1. Steek de contactsleutel pas in de grasmaaier wanneer die geheel voor gebruik gereed is.
2. Dit apparaat is niet geschikt voor gebruik door personen (inclusief kinderen) met beperkte fysieke, zintuiglijke of verstandelijke vermogens, of gebrek aan ervaring of kennis van zaken, tenzij onder toezicht of na degelijk onderricht betreffende bediening van het apparaat, door een persoon die verantwoordelijk is voor hun veiligheid.
3. Houd toezicht op kinderen, om te zorgen dat ze niet met het apparaat gaan spelen.
4. Laat nooit kinderen of anderen die niet vertrouwd zijn met deze instructies het apparaat bedienen. De toegestane leeftijd van gebruikers kan ook zijn vastgelegd in de plaatselijke wetgeving.
5. Gebruik het apparaat nooit met personen, in het bijzonder kinderen, of huisdieren dicht in de buurt.
6. Onthoud dat de bediener of gebruiker aansprakelijk is voor ongelukken met letsel aan andere personen of schade aan hun eigendommen.
7. Draag bij gebruik van dit apparaat altijd stevig schoeisel en een lange broek. Gebruik het apparaat niet wanneer u op blote voeten loopt of open sandalen draagt. Draag geen loshangende kleding, shawls of kettingen, of ceintuurs met bandjes die los bengelen. Loshangende kleding of sieraden kunnen door de bewegende delen gegrepen worden.
8. Gebruik het apparaat alleen bij daglicht of helder kunstlicht.
9. Gebruik het apparaat niet wanneer het gras nat is.
10. Gebruik de grasmaaier nooit in de regen.
11. Bediening en onderhoud van accu-apparaat
 - Gebruik voor het opladen alleen het door de fabrikant voorgeschreven oplaadapparaat. Een acculader die geschikt is voor een bepaald type accu kan brandgevaarlijk zijn bij gebruik met een ander type accu.
 - Gebruik elektrisch gereedschap alleen met de specifiek daarvoor geschikte accu. Het gebruik van een ander type accu kan gevaar voor brand of verwondingen opleveren.
 - Wanneer de accu niet gebruikt is, dient u deze uit de buurt te houden van andere metalen voorwerpen, zoals paperclips, kleingeld, sleutels, spijkers, schroeven of andere kleine metalen voorwerpen die kortsluiting tussen de accucontacten zouden kunnen maken. Als de accucontacten kortgesloten worden, kan dat brandgevaar of brandwonden veroorzaken.

- Bij misbruik kan er vloeistof uit de accu vrijkomen; vermijd aanraking daarmee. Als u per ongeluk in aanraking komt met accuvloeistof, wast u die dan met water af. Als er accuvloeistof in uw ogen komt, roept u dan bovendien medische hulp in. De vloeistof uit de accu kan huidirritatie of brandwonden veroorzaken.

12. Houd de handgreep altijd stevig vast.
13. Zorg dat u stevig staat op hellingen of glooiingen.
14. Loop gewoon en ga niet rennen.
15. Raak het snijblad of andere scherpe randen niet aan bij het optillen of meedragen van het apparaat.
16. Lichamelijke conditie — Gebruik de grasmaaier niet onder de invloed van alcohol, stimulerende of verdovende middelen, of na het innemen van medicijnen.
17. Zorg dat de beveiligingsdelen zijn aangebracht en in goede staat verkeren.
18. Houd uw handen en voeten uit de buurt van het snijblad en de draaiende delen. Let op — Na uitschakelen blijven de snijbladen nog even doordraaien.
19. Verwijder de contactsleutel vóór het bijstellen of schoonmaken van de grasmaaier, en ook wanneer u er materiaal uit moet verwijderen.
20. Gebruik uitsluitend de in deze handleiding door de fabrikant voorgeschreven snijbladen.
21. Controleer vóór het gebruik zorgvuldig de snijbladen op barsten of andere beschadigingen. Vervang gebarsten of beschadigde snijbladen onmiddellijk.
22. Zorg dat er geen andere personen in de buurt zijn voordat u met maaien begint. Staak het maaien wanneer er iemand nadert.
23. Verwijder vóór het maaien eerst obstakels en voorwerpen zoals stenen, ijzerdraad, glas, botten en grote takken uit uw werkgebied, om schade aan de grasmaaier en letsel te voorkomen.
24. Stop onmiddellijk met maaien wanneer u iets vreemds bemerkt. Schakel de grasmaaier uit en verwijder de contactsleutel uit het apparaat. Inspecteer vervolgens de grasmaaier.
25. Probeer nooit om de wielhoogte bij te stellen terwijl de grasmaaier werkt.
26. Laat de schakelhendel los en wacht tot het snijblad gestopt is voordat u een tuinpad, trottoir, oprijlaan, straat of weg oversteekt, of enig terrein waar grind ligt. Verwijder de contactsleutel ook wanneer u het apparaat even achterlaat, wanneer u een eindje verder iets moet oprapen, of als u om enige andere reden afgeleid bent van waar u mee bezig was.
27. Als het snijblad van de grasmaaier een hard voorwerp raakt en wegslingert, zou dat ernstige verwondingen kunnen veroorzaken. Controleer altijd vóór het maaien het gras op voorwerpen die hinder of gevaar kunnen veroorzaken en verwijder ze op afdoende wijze.

28. Als de grasmaaier een obstakel raakt, gaat u als volgt te werk:
- Stop de grasmaaier, laat de schakelhendel los en wacht tot het snijblad helemaal tot stilstand is gekomen.
 - Verwijder eerst de contactsleutel en dan de accu.
 - Controleer de grasmaaier zorgvuldig op beschadigingen.
 - Vervang het snijblad als het op enige wijze beschadigd is.
- Repareer alle beschadigingen voordat u de grasmaaier opnieuw start en in gebruik neemt.
29. Controleer de grasopvangzak achteraan regelmatig op slijtage of schade. Vóór opslag van het apparaat zorgt u eerst dat de grasopvangzak helemaal leeg is. Vervang een versleten zak door een nieuwe, van de fabriek bestelde zak, voor uw veiligheid.
30. Stop de motor en verwijder de contactsleutel wanneer u het apparaat achterlaat, vóór het reinigen van de buitenkant van de grasmaaier en voordat u enige inspectie of reparatie uitvoert.
31. Wees uiterst voorzichtig wanneer u het apparaat achteruit laat rijden of naar u toe trekt.
32. Stop de snijblad(en) wanneer u het apparaat moet kantelen om het te verplaatsen over een ander oppervlak dan gras, en ook wanneer u het apparaat vervoert van of naar het te maaien terrein.
33. Gebruik het apparaat in geen geval wanneer de beveiligingskappen of schermen defect zijn, of wanneer beveiligingsdelen zoals de keerschotten en/of grasvanger afwezig zijn.
34. Schakel de motor zorgvuldig in volgens de voorschriften, met uw voeten op veilige afstand van de snijblad(en).
35. Kantel het apparaat niet wanneer u de motor inschakelt, behalve wanneer het noodzakelijk is het apparaat ietwat te kantelen om de motor te starten. In dat geval kantelt u het apparaat niet verder dan strikt noodzakelijk en tilt u alleen het van u afgerichte deel ietwat omhoog.
36. Start het apparaat niet terwijl u recht voor de uitblaasopening staat.
37. Steek nooit uw handen of voeten onder of vlakbij de draaiende onderdelen. Blijf steeds uit de buurt van de uitblaasopening.
38. Vervoer het apparaat niet terwijl de grasmaaier is ingeschakeld.
39. Stop het apparaat en verwijder het blokkerende voorwerp. Let goed op dat alle bewegende onderdelen volledig tot stilstand zijn gekomen
- wanneer u het apparaat achterlaat;
 - voor het opheffen van een blokkering of het vrijmaken van de grasafvoerbaan;
 - voor het controleren, reinigen of werken aan het apparaat;
 - na het raken van een obstakel. Inspecteer het apparaat op schade en verricht de nodige reparaties alvorens u het apparaat opnieuw start en weer in gebruik neemt.
40. Als het apparaat heftig gaat trillen of schudden (onmiddellijk controleren)
- inspecteer rondom op schade;
 - vervang of repareer alle beschadigde delen;
- controleer op loszittende delen en zet die goed vast.
41. Wees uiterst voorzichtig tijdens het bijstellen van het apparaat, om te voorkomen dat uw vingers bekneld raken tussen de bewegende en vaste delen van het apparaat.
42. Maai altijd horizontaal langs een glooiing, nooit omhoog en omlaag. Wees uiterst voorzichtig wanneer u op een hellend vlak van richting verandert. Probeer niet om te maaien op al te steile hellingen.
43. Niet besproeien of afspoelen met een tuinslang; zorg dat er geen water in de motor en elektrische contacten komt.
44. Controleer regelmatig of de snijbladbevestigingsbout stevig vast zit.
45. Zorg dat alle moeren, bouten en schroeven stevig zijn aangedraaid, om het apparaat veilig te kunnen gebruiken.
46. Laat het apparaat altijd eerst afkoelen voordat u het opbergt.
47. Onthoud goed bij onderhoud aan de snijbladen dat ook als de stroom is uitgeschakeld, de snijbladen nog wel kunnen bewegen.
48. Vervang alle versleten of beschadigde onderdelen, voor uw veiligheid. Gebruik uitsluitend originele vervangingsonderdelen en accessoires.

BEWAAR DEZE VOORSCHRIFTEN.

WAARSCHUWING:

Laat u NIET misleiden door een vals gevoel van comfort en bekendheid met het gereedschap (na veelvuldig gebruik) en neem alle veiligheidsvoorschriften van het betreffende gereedschap altijd strikt in acht. VERKEERD GEBRUIK of het niet naleven van de veiligheidsvoorschriften in deze gebruiksaanwijzing kan leiden tot ernstige verwondingen.

ENC007-8

BELANGRIJKE VEILIGHEIDSVORSCHRIFTEN

VOOR ACCU

1. Lees alle voorschriften en waarschuwingen op (1) de acculader, (2) de accu, en (3) het product waarvoor de accu wordt gebruikt, aandachtig door alvorens de acculader in gebruik te nemen.
2. Neem de accu niet uit elkaar.
3. Als de gebruikstijd van een opgeladen accu aanzienlijk korter is geworden, moet u het gebruik ervan onmiddellijk stopzetten. Voortgezet gebruik kan oververhitting, brandwonden en zelfs een ontploffing veroorzaken.
4. Als er elektrolyt in uw ogen is terechtgekomen, spoel dan uw ogen met schoon water en roep onmiddellijk de hulp van een dokter in. Elektrolyt in de ogen kan blindheid veroorzaken.
5. Voorkom kortsluiting van de accu:
 - (1) Raak de accucontacten niet aan met enig stroomgeleidend materiaal.
 - (2) Bewaar de accu niet in een doos samen met andere metalen voorwerpen zoals spijkers, sleutels of kleingeld, enz.

(3) Zorg dat de accu niet wordt blootgesteld aan regen of vocht.

Kortsluiting van de accu kan oorzaak zijn van een grote stroomafgifte, oververhitting, brandwonden, en zelfs defecten.

6. Bewaar het gereedschap en de accu niet op plaatsen waar de temperatuur kan oplopen tot 50°C of hoger.
7. Werp de accu nooit in het vuur, ook niet wanneer hij zwaar beschadigd of volledig versleten is. De accu kan namelijk ontploffen in het vuur.
8. Wees voorzichtig dat u de accu niet laat vallen en hem niet blootstelt aan schokken of stoten.
9. Gebruik nooit een beschadigde accu.
10. Volg de plaatselijk geldende voorschriften voor het inleveren of wegwerpen van batterijen.

BEWAAR DEZE VOORSCHRIFTEN.

Tips voor een maximale levensduur van de accu

1. Laad de accu op voordat hij volledig ontladen is. Wanneer u merkt dat het vermogen van het gereedschap afneemt, staak dan altijd het gebruik en laad dan eerst de accu op.
2. Laad een volledig opgeladen accu nooit opnieuw op. Door overmatig opladen zal de gebruiksduur van de accu korter worden.
3. Laad de accu op bij een kamertemperatuur tussen 10°C en 40°C. Een accu die heet geworden is, laat u eerst afkoelen voordat u die oplaadt.
4. Laad de accu zeker elk half jaar een keer op, ook als u deze geruime tijd lang niet gebruikt.

BESCHRIJVING VAN DE FUNCTIES

Installeren of verwijderen van de accu

LET OP:

- Schakel het gereedschap altijd uit alvorens de accu te installeren of te verwijderen.
- Zorg dat u voor gebruik het accudeksel vooral stevig afsluit. Anders zou er regen, vocht, modder of vuil in kunnen komen en het apparaat of de accu kunnen beschadigen.
- Schuif de accu altijd volledig naar binnen totdat de rode indicator niet meer zichtbaar is. Als u dit nalaat, zou de accu uit het apparaat kunnen vallen en uzelf of anderen kunnen verwonden.
- Druk de accu er niet met kracht in. Als de accu er niet soepel in schuift, houdt u die waarschijnlijk in de verkeerde stand.

OPMERKING:

- Het gereedschap werkt niet met slechts één enkele accu.

Voor aanbrengen van de accu:

1. Trek de accudeksel-borghendel naar u toe en open het accudeksel. (Fig. 1)
2. Voor het aanbrengen van de accu plaatst u de tong van de accu in de groef van de behuizing en schuift u de accu op zijn plaats. Schuif de accu er altijd volledig in totdat die op zijn plaats vastklikt. Wanneer de rode indicator op de bovenkant van de knop nog zichtbaar is, zit de accu er nog niet stevig en veilig in. (Fig. 2)

3. Steek de contactsleutel in op de plaats die in de afbeelding is aangegeven, zover de sleutel gaat. (Fig. 3)

4. Sluit het accudeksel en druk het aan totdat het is vergrendeld met de borghendel.

Om de accu uit de grasmaaier te verwijderen:

1. Trek de accudeksel-borghendel naar u toe en open het accudeksel.
2. Schuift de accu uit het gereedschap terwijl u de knop voorop de accu ingedrukt houdt.
3. Trek eerst de contactsleutel er uit.
4. Sluit het accudeksel.

Accubeveiligingssysteem

Het gereedschap is voorzien van een apparaat/accubeveiligingssysteem. Dit systeem schakelt automatisch de stroom naar de motor uit om de levensduur van het apparaat en de accu te sparen.

Het gereedschap zal tijdens gebruik automatisch stoppen wanneer het apparaat en/of de accu aan één van de volgende omstandigheden wordt blootgesteld. In sommige omstandigheden lichten de indicatorlampjes op.

Overbelastingsbeveiliging

Als het gereedschap wordt gebruikt op een manier die een abnormaal hoge stroomsterkte vergt, zal het gereedschap automatisch stoppen zonder enige waarschuwing. In dat geval schakelt u het gereedschap uit en verhelpt u de oorzaak van de overbelasting. Vervolgens schakelt u het gereedschap in en start u opnieuw.

Oververhittingsbeveiliging

Wanneer het gereedschap of de accu oververhit raakt, zal het gereedschap automatisch stoppen zonder enige waarschuwing. Dan zal het gereedschap niet starten, ook al is het ingeschakeld. In dat geval laat u het gereedschap of de accu even afkoelen, voordat u het gereedschap opnieuw inschakelt.

OPMERKING:

- De oververhittingsbeveiliging voor de accu werkt alleen voor accu's met een stermarkering. De oververhittingsbeveiliging voor het apparaat zelf werkt met alle typen accu's. (Fig. 4)

Overontladingsbeveiliging (Fig. 5)

Wanneer de accu nog maar weinig stroom kan leveren, gaat het accuverklikkerlampje knippen aan de kant van de betreffende accu. Als u dan doorgaat met werken, stopt het gereedschap en blijft het accuverklikkerlampje ongeveer 10 seconden lang branden. In dat geval laadt u de accu opnieuw op.

Werking van de stroomschakelaar

WAARSCHUWING:

- Alvorens u de accu in het gereedschap plaatst, controleert u eerst of de schakelhendel goed werkt en bij loslaten automatisch naar de oorspronkelijke uit-stand terugkeert. Bediening van het apparaat met een schakelhendel die niet goed werkt kan leiden tot ongecontroleerde bewegingen, met kans op ernstig lichamelijk letsel.

OPMERKING:

- Wanneer u te veel gras tegelijk probeert te maaien, kan de motor soms niet starten, vanwege overbelasting. In dat geval stelt u de maaihoogte hoger in, om het vervolgens opnieuw te proberen.

- De grasmaaier start niet zonder dat u de schakelknop indrukt, ook al trekt u de schakelhendel in.

Deze grasmaaier is voorzien van een contactslotschakelaar en een handgreepschakelaar. Als er iets niet in orde is met een van deze twee schakelaars, staakt u dan onmiddellijk het gebruik en laat u ze controleren bij uw dichtstbijzijnde erkende Makita servicecentrum.

1. Plaats de accu's in het apparaat. Steek de contactsleutel in het contactslot en sluit dan het accudeksel. (Fig. 3)
2. Druk op de schakelknop.
3. Trek de schakelhendel naar u toe terwijl u de schakelknop ingedrukt houdt.
4. Laat de schakelknop los zodra de motor op toeren komt. De grasmaaier blijft dan lopen totdat u de schakelhendel loslaat. (Fig. 6)
5. Laat de schakelhendel los om de motor te stoppen.
6. Verwijder altijd de contactsleutel wanneer u het apparaat niet gebruikt. Bewaar de contactsleutel op een veilige plaats, buiten bereik van kinderen.

Afstellen van de maaihoogte (Fig. 7)

⚠ WAARSCHUWING:

- Steek bij het afstellen van de maaihoogte nooit uw hand of voet onder de grasmaaier.
- Controleer vóór het gebruik zorgvuldig of de hendel juist in de gleuf valt.

De maaihoogte is instelbaar binnen een bereik van 25 mm – 75 mm.

1. Verwijder de contactsleutel.
2. Trek de maaihoogte-instelhendel naar kant A. Stel de hendel in op uw gewenste maaihoogte. Zorg dat de nokken op de maaihoogte-instelhendel precies in de gaten passen en dat de hendel terugkeert naar kant B.

OPMERKING:

- De aanduidingen voor de maaihoogte moeten slechts als richtlijn beschouwd worden, aangezien de toestand van het gazon of de grond de uiteindelijke hoogte van het gras kan doen afwijken van de gekozen hoogtewaarde.
- Met een maaiproef in een minder opvallende plaats kunt u door uitproberen de gewenste hoogte vinden.
- U kunt de maaihoogte-instelhendel gemakkelijker bewegen als u het gereedschap stevig vasthoudt. (Fig. 8)

Graszamelwijzer (Fig. 9)

De graszamelwijzer geeft de hoeveelheid gemaaid gras aan.

- Zolang de grasmand nog niet vol is, zal de graszamelwijzer tijdens het maaien blijven zweven.
- Wanneer de grasmand vol is, zal de graszamelwijzer tijdens het maaien niet meer zweven. In dat geval stopt u onmiddellijk met maaien en leegt u de grasmand. Na het legen van de grasmand reinigt u die zo dat er weer lucht door de mazen van het net stroomt.

OPMERKING:

- Deze graszamelwijzer geeft slechts een ruwe vingerwijzing. Afhankelijk van de inhoud van de grasmand kan de graszamelwijzer niet altijd een juist beeld van de toestand geven.

INEENZETTEN

⚠ WAARSCHUWING:

- **Zorg er altijd voor dat de contactsleutel en de accu zijn verwijderd, alvorens u enig werk aan de grasmaaier gaat uitvoeren.** Als u vergeet de contactsleutel en de accu te verwijderen, kan dat leiden tot ernstige verwondingen als de maaier plotseling zou starten.
- **Start nooit het apparaat voordat het geheel naar behoren is gemonteerd.** Gebruik van het apparaat in een deels gemonteerde staat kan leiden tot ernstige verwondingen als het apparaat plotseling zou starten.

Aanbrengen van het accudeksel

⚠ WAARSCHUWING:

- Steek de contactsleutel en de accu niet in voordat u het accudeksel hebt aangebracht. Veronachtzaming hiervan kan leiden tot ernstig letsel.

Breng het accudeksel steeds volledig aan voordat u het apparaat gaat gebruiken, om het apparaat en de accu te beschermen tegen modder, vuil of water.

1. Plaats het accudeksel zodanig op het apparaat dat de openingen in het accudeksel precies over de uitstekende nokken van het apparaat vallen. (Fig. 10)
2. Plaats uw handen op het midden van het accudeksel en druk het vast. (Fig. 11)
3. Controleer vóór het eerste gebruik of het scharnierpunt van het accudeksel naar behoren is vastgemaakt. Om dit te controleren trekt u de accudeksel-borghendel naar u toe en opent u het accudeksel. (Fig. 12)

Aanbrengen van de handgreep (Fig. 13, 14 en 15)

⚠ WAARSCHUWING:

- Bij het aanbrengen van de handgrepen leidt u de snoeren zo dat ze niet verward of bekneld kunnen raken door voorwerpen tussen de handgrepen.

1. Draai de klemmschroeven los (twee stuks).
2. Schuif de onderste handgreep aan beide kanten zijwaarts uit en klap de handgreep in die stand geheel terug en pas deze in de gleuf in het maaierhuis.
3. Draai de klemmschroeven aan beide zijden vast om de onderste handgreep vast te zetten.
4. Til de bovenste handgreep op, zodanig dat de schroefgaten in de bovenste handgreep samenvallen met die in de onderste handgreep. Zet de beide delen vast met de bijgeleverde schroeven, gebogen ringen en klemmoeren.

OPMERKING:

- Houd hierbij de bovenste handgreep stevig vast, zodat de handgreep niet uit uw hand wegglijdt.

OPMERKING:

- Monteer de bovenste handgreep zo dat de richting daarvan en het verloop van het stroomsnoer overeen komen met die getoond in de afbeelding. (Fig. 16)

Verwijderen en aanbrengen van het snijblad (Fig. 17 en 18)

⚠ WAARSCHUWING:

- Verwijder altijd eerst de contactsleutel en de accu voordat u het snijblad gaat verwijderen of installeren. Als u vergeet de contactsleutel en de accu te verwijderen, kan dat leiden tot ernstig letsel.

- Na het loslaten van de schakelhendel kan het snijblad nog enkele seconden doordraaien. Let op dat het snijblad volledig tot stilstand is gekomen.
 - Draag voor het hanteren van het snijblad altijd een paar handschoenen.
1. Leg de grasmaaier zodanig op zijn zijkant, dat de maaihogte-instelhendel boven komt.
 2. Om het snijblad te blokkeren, steekt u een houtblok of iets dergelijks in de grasmaaier.
 3. Draai de bout linksom los met de ringsleutel.
 4. Verwijder de bout, de veerring, de platte ring en het snijblad, in die volgorde.

Voor het weer aanbrengen van het snijblad verricht u de stappen voor het verwijderen in omgekeerde volgorde.

⚠ WAARSCHUWING:

- Monteer het snijblad zorgvuldig in de juiste stand, want de boven/onderkant verschilt.
- Draai de bout rechtsom stevig aan om het snijblad vast te zetten.
- Plaats het snijblad zo, dat de kant met de draairichtingspijl naar buiten wijst.
- Let op dat het snijblad stevig is vastgezet.

Aanbrengen van de grasmand (Fig. 19 en 20)

Verwijder de contactsleutel.

Til het achterscherm van de grasmaaier op.

Haak de grasmand in de gleuf van de grasmaaier.

BEDIENING

Maaien

⚠ WAARSCHUWING:

- Voor het maaien verwijdt u alle takken en stenen van het te maaien terrein. Bovendien kunt u beter ook van tevoren alle onkruid uit het te maaien grasveld wieden.
- Draag bij het maaien altijd een veiligheidsbril met volledig gesloten zijkantbescherming.

Houd bij het maaien de grasmaaier stevig met beide handen aan de handgreep vast.

Aan de breedte tussen het midden van de voorwielen kunt u ongeveer de maaibreedte aflezen. Voor gelijkmatig maaien laat u elke maaistreek overlappen met een eerder gemaaide strook.

Controleer regelmatig de inhoud van de grasmand en leeg die voordat de mand overvol raakt. Vóór elke periodieke inspectie dient u de grasmaaier uit te schakelen en de contactsleutel en de accu te verwijderen.

OPMERKING:

- Als u de grasmaaier gebruikt met een overvolle grasmand kan het snijblad niet soepel draaien, hetgeen de motor overmatig belast, waardoor de kans op defecten toeneemt.

Maaien van erg lang gras (Fig. 21)

Probeer niet om erg lang gras in één keer kort te maaien. Maai uw gazon liever in meerdere fasen, met een dag of twee tussen de maaibeurten, tot uw gehele gazon gelijkmatig kort is.

OPMERKING:

- Als u erg lang gras in één keer helemaal kort maait, kan het gras verdorren en kan het inwendige van de grasmaaier verstopt raken door het gemaaide gras.

Legen van de grasmand (Fig. 22)

⚠ WAARSCHUWING:

- Om ongelukken te voorkomen, controleert u regelmatig de grasmand op schade of verzakking door slijtage en vervangt u die wanneer nodig.
1. Laat de schakelhendel los.
 2. Verwijder de contactsleutel.
 3. Open het achterscherm en verwijder de grasmand aan het handvat.
 4. Leeg de grasmand.

ONDERHOUD EN OPSLAG

⚠ WAARSCHUWING:

- Zorg altijd dat de contactsleutel en de accu uit de grasmaaier zijn verwijderd voordat u die opbergt, of voordat u inspectie of onderhoud gaat verrichten.
- Draag handschoenen bij het verrichten van inspectie of onderhoud.

⚠ LET OP:

- Gebruik nooit benzine, wasbenzine, thinner, alcohol en dergelijke. Hierdoor kunnen verkleuring, vervormingen en barsten worden veroorzaakt.

ONDERHOUD

1. VERWIJDER DE CONTACTSLEUTEL. Bewaar deze op een veilige plaats, buiten bereik van kinderen.
2. Maak uw grasmaaier schoon met een vochtige doek en wat mild zeepsop. Sproei of giet geen water over uw grasmaaier wanneer u die schoonmaakt.
3. Leg de grasmaaier op zijn kant en verwijder de grassprietten die er aan de onderkant in en rond het maaiemechanisme vastgeraakt zijn.
4. Controleer of alle moeren, bouten, knoppen, schroeven en andere bevestigingspunten stevig vast zitten.
5. Inspecteer de bewegende onderdelen op schade, defecten en slijtage. Als er onderdelen beschadigd zijn of ontbreken, laat u die dan repareren of vervangen.
6. Alvorens u de grasmaaier opbergt, verwijdt u de accu uit het apparaat.
7. Berg de grasmaaier binnenshuis op, in een koele, droge en veilig afgesloten ruimte. Berg de grasmaaier en de acculader niet op in een plaats waar de temperatuur tot boven de 40°C kan stijgen.

Opslag (Fig. 23, 24 en 25)

⚠ WAARSCHUWING:

- Voor het optillen, meedragen of opslaan van de grasmaaier pakt u zowel de bovenhandgreep als de voorgreep van de grasmaaier vast. Als u alleen de bovenhandgrepen vastpakt, kan dat leiden tot ernstig letsel of schade aan de grasmaaier.
1. Draai de klemschroef los, schuif de onderste handgreep naar weerszijden uiteen en klap dan de handgreep omlaag en naar voren. Houd hierbij vooral de voorgreep stevig vast, zodat die niet naar de andere kant van het apparaat valt.
 2. Draai de klemmoer los en klap de bovenste handgreep terug.

Om de VEILIGHEID en BETROUWBAARHEID van het product te handhaven, dienen alle reparaties en alle andere onderhoudswerkzaamheden of afstellingen te worden uitgevoerd door een erkend Makita-servicecentrum, en dat uitsluitend met gebruik van Makita vervangingsonderdelen.

STORINGEN OPLOSSEN

Alvorens u verzoekt om reparatie, kunt u zelf als volgt het probleem opsporen en verhelpen. Als u met een probleem kampt dat in deze handleiding niet voorkomt, probeert u dan in geen geval om het apparaat te demonteren. Laat reparaties over aan een erkend Makita-servicecentrum, en dit uitsluitend met gebruik van originele Makita vervangingsonderdelen.

Storing of probleem	Oorzaak	Oplossing
De grasmaaier start niet.	Er zijn nog niet twee volle accu's aangebracht.	Installeer twee opgeladen accu's.
	Probleem met de accu (onvoldoende spanning)	Laad de accu op. Als het opladen geen effect heeft, vervangt u de accu.
	De contactsleutel is niet ingestoken.	Steek de contactsleutel er in.
Na kortstondig gebruik stopt de motor al gauw.	De accuspanning is te gering.	Laad de accu op. Als het opladen geen effect heeft, vervangt u de accu.
	De maaihoogte is te laag ingesteld.	Kies een grotere maaihoogte.
Het maximale toerental wordt niet bereikt.	De accu is niet juist aangebracht.	Installeer de accu zoals beschreven in deze handleiding.
	De accuspanning valt weg.	Laad de accu op. Als het opladen geen effect heeft, vervangt u de accu.
	Het aandrijfsysteem werkt niet goed.	Verzoek uw plaatselijke erkende onderhoudsdienst om reparatie.
Het maaimechanisme draait niet: stop het apparaat onmiddellijk!	Een hinderlijk voorwerp zoals een tak is vastgeraakt dichtbij het snijblad.	Verwijder het hinderlijke voorwerp.
	Het aandrijfsysteem werkt niet goed.	Verzoek uw plaatselijke erkende onderhoudsdienst om reparatie.
Abnormale trillingen: stop het apparaat onmiddellijk!	Het snijblad is uit evenwicht, of er is overmatige of ongelijkmatige slijtage.	Vervang het snijblad.

014546

OPTIONELE ACCESSOIRES

LET OP:

- Deze accessoires of hulpstukken worden aanbevolen voor gebruik met het Makita gereedschap dat in deze gebruiksaanwijzing is beschreven. Bij gebruik van andere accessoires of hulpstukken bestaat er gevaar voor persoonlijke verwonding. Gebruik de accessoires of hulpstukken uitsluitend voor hun bestemde doel.

Raadpleeg het dichtstbijzijnde Makita-servicecentrum voor verder advies of bijzonderheden omtrent deze accessoires.

- Snijblad
- Originele Makita accu en oplader

OPMERKING:

- Sommige onderdelen in deze lijst kunnen bij het gereedschap zijn meegeleverd als standaard-accessoires. Deze kunnen van land tot land verschillen.

ENG905-1

Geluidsniveau

Het typisch, A-gewogen geluidsniveau vastgesteld volgens 2000/14/EU:

Geluidsdrukniveau (L_{pA}): 81 dB (A)
 Geluidsvermogeniveau (L_{WA}): 93 dB (A)
 Onnauwkeurigheid (K): 3 dB (A)

Draag oorbeschermers

ENG900-1

Trilling

De totaalwaarde van de trillingen (triaxiale vectorsom) vastgesteld volgens EN60335:

Trillingsemisatie (a_{h1}): 2,5 m/s² of lager
 Onnauwkeurigheid (K): 1,5 m/s²

- De opgegeven trillingsemisiewaarde is gemeten volgens de standaardtestmethode en kan worden gebruikt om dit gereedschap te vergelijken met andere gereedschappen.
- De opgegeven trillingsemisiewaarde kan ook worden gebruikt voor een beoordeling vooraf van de blootstelling.

⚠ WAARSCHUWING:

- De trillingsemisie tijdens het gebruik van het elektrisch gereedschap in de praktijk kan verschillen van de opgegeven trillingsemisiewaarde afhankelijk van de manier waarop het gereedschap wordt gebruikt.
- Zorg ervoor dat veiligheidsmaatregelen worden getroffen ter bescherming van de operator die zijn gebaseerd op een schatting van de blootstelling onder praktijkomstandigheden (rekening houdend met alle fasen van de bedrijfscyclus, zoals de tijdsduur gedurende welke het gereedschap is uitgeschakeld en stationair draait, naast de ingeschakelde tijdsduur).

ENH223-1

Alleen voor Europese landen

EU-Verklaring van Conformiteit

Makita verklaart hierbij dat de volgende machine(s):

Aanduiding van de machine:

Snoerloze grasmaaier

Modelnr./Type: DLM380

Technische gegevens: zie de tabel "TECHNISCHE GEGEVENS".

Voldoen aan de volgende Europese richtlijnen:

2000/14/EU, 2006/42/EU

Ze zijn gefabriceerd in overeenstemming met de volgende norm of genormaliseerde documenten:

EN60335

Het technisch documentatiebestand volgens 2006/42/EU is verkrijgbaar bij:

Makita International Europe Ltd.

Technische afdeling,

Michigan Drive, Tongwell,

Milton Keynes, Bucks MK15 8JD, Engeland

De conformiteitsbeoordelingsprocedure vereist door richtlijn 2000/14/EU was in overeenstemming met annex VI.

Verwittigde instantie:

TÜV Rheinland LGA Products GmbH

Tillystraße 2

90431 Neurenberg, Duitsland

Identificatienummer 0197

Gemeten geluidsvermogeniveau: 93 dB (A)

Gegarandeerd geluidsvermogeniveau: 94 dB (A)

1.10.2013



Tomoyasu Kato

Directeur

Makita Corporation


3-11-8, Sumiyoshi-cho,

Anjo, Aichi, 446-8502, JAPAN

Explicación de los dibujos

1 Palanca de bloqueo de la tapa de la batería	13 Saliente	27 Cuchilla
2 Tapa de la batería	14 Puntos de pivote	28 Llave
3 Cartucho de batería	15 Asidero inferior	29 Madera
4 Llave de bloqueo	16 Tornillo de apriete	30 Soporte de la cuchilla
5 Marca de estrella	17 Apretar	31 Arandela plana
6 Indicador de batería	18 Aflojar	32 Arandela de resorte
7 Interruptor de botón	19 Ranura	33 Perno
8 Interruptor de palanca	20 Asidero superior	34 Gancho
9 Palanca de ajuste de altura de la siega	21 Agujeros	35 Cesta para hierba
10 Pasadores	22 Tuerca de apriete	36 Asidero
11 Indicador del nivel de la hierba	23 Arandela rizada	37 Protector trasero
12 Agujero	24 Tornillo	
	25 Soporte	
	26 Cable	

ESPECIFICACIONES

Modelo		DLM380	
Anchura de la siega		380 mm	
Velocidad en vacío		3.700 min ⁻¹	
Dimensiones (La x Al x An)	durante la utilización	1.145 mm x 465 mm x 1.023 mm – 1.070 mm	
	cuando está almacenado	680 mm x 470 mm x 505 mm	
Tensión nominal		CC 36 V	
 Cartucho(s) de batería estándar Advertencia: Utilice solamente el cartucho(s) de batería descrito.		BL1815N	BL1830 / BL1840
Peso neto		14,5 kg	15,0 kg

- Debido a un programa continuo de investigación y desarrollo, las especificaciones aquí dadas están sujetas a cambios sin previo aviso.
- Las especificaciones y el cartucho de batería pueden diferir de país a país.
- Peso, con el cartucho de batería, de acuerdo con el procedimiento EPTA 01/2003








- Retire la llave de bloqueo antes de inspeccionar, ajustar, limpiar, hacer el servicio de mantenimiento, dejar y almacenar el cortacésped.
- Sólo para países de la Unión Europea ¡No tire aparatos eléctricos ni baterías a la basura con los residuos domésticos! En conformidad con la Directiva Europea, sobre residuos de aparatos eléctricos y electrónicos y sobre baterías y acumuladores y residuos de baterías y de acumuladores y su aplicación de acuerdo con la legislación nacional, los aparatos eléctricos y las baterías cuya vida útil haya llegado a su fin se deberán recoger por separado y trasladar a una planta de reciclaje que cumpla con las exigencias ecológicas.

END016-5

SÍMBOLOS

A continuación se muestran los símbolos utilizados con esta herramienta. Asegúrese de que entiende su significado antes de usarla.

-  • Preste cuidado y atención especiales.
-  • Lea el manual de instrucciones.
-  • Peligro; tenga cuidado con los objetos que salen lanzados.
-  • La distancia entre la herramienta y los transeúntes deberá ser de 15 m por lo menos.
-  • No ponga nunca sus manos ni pies cerca de la cuchilla debajo del cortacésped.

INSTRUCCIONES DE SEGURIDAD IMPORTANTES

⚠ ¡ADVERTENCIA! Lea todas las advertencias de seguridad y todas las instrucciones. Si no sigue todas las advertencias e instrucciones podrá ocasionar una descarga eléctrica, un incendio y/o heridas graves.

Guarde todas las advertencias e instrucciones para futuras referencias.

1. No inserte la llave en el cortacésped hasta que esté listo para ser utilizado.
2. Este aparato no ha sido pensado para ser usado por personas (incluidos niños) con sus capacidades físicas, sensoriales o mentales mermadas, o sin experiencia y conocimiento, a menos que una persona responsable de su seguridad las supervise o les dé instrucciones sobre el uso del aparato.
3. Los niños pequeños deberán ser supervisados para asegurarse de que no juegan con el aparato.
4. No permita nunca que niños o gente no familiarizada con estas instrucciones utilicen la máquina. Los reglamentos locales pueden restringir la edad del operario.
5. No utilice nunca la máquina cuando haya gente, especialmente niños o animales domésticos cerca.
6. Tenga en cuenta que el operario o usuario es el responsable de los accidentes o riesgos ocasionados a otras personas o propiedades de las mismas.
7. Mientras utiliza la máquina póngase siempre calzado robusto y pantalones largos. No utilice la máquina estando descalzo ni con sandalias abiertas. Evite ponerse ropa o joyas que queden holgadas o que tengan cordones colgando o corbatas. Pueden engancharse en las piezas que se mueven.
8. Utilice la máquina solamente en luz diurna o con buena luz artificial.
9. Evite utilizar la máquina en hierba mojada.
10. No utilice nunca el cortacésped en la lluvia.
11. Utilización y cuidado de la herramienta a batería
 - Cargue la batería solamente con el cargador especificado por el fabricante. Un cargador que es apropiado para un tipo de cartucho de batería puede crear un riesgo de incendio cuando se utiliza con otro cartucho de batería.
 - Utilice las herramientas eléctricas solamente con los cartuchos de batería designados específicamente para ellas. La utilización de cualquier otro cartucho de batería puede crear un riesgo de heridas o incendio.
 - Cuando el cartucho de batería no esté siendo utilizado, guárdelo alejado de otros objetos metálicos, como sujetapapeles, monedas, llaves, clavos, tornillos u otros objetos metálicos pequeños, que puedan hacer conexión entre un terminal y el otro. Si se cortocircuitan entre sí los terminales de la batería podrán producirse quemaduras o un incendio.
- En condiciones abusivas, es posible que salga expulsado líquido de la batería; evite el contacto con él. Si se produce un contacto accidental, enjuague con agua. Si el líquido entra en los ojos, además de enjuagarlos, solicite asistencia médica. El líquido expulsado de la batería puede ocasionar irritación y quemaduras.
12. Sujete siempre firmemente el asidero.
13. Asegúrese siempre de que en pendientes apoya bien los pies.
14. Camine, nunca corra.
15. No agarre las cuchillas de corte o bordes de corte expuestos cuando recoja o sujete el aparato.
16. Condición física — No utilice el cortacésped bajo la influencia de drogas, alcohol, o cualquier medicación.
17. No quite los protectores y manténgalos en buen estado de funcionamiento.
18. Mantenga las manos y los pies alejados de las cuchillas giratorias. Precaución — Las cuchillas siguen girando por inercia después de apagar la máquina.
19. Retire la llave antes de hacer el servicio de mantenimiento, limpieza o retirar material del aparato de jardinería.
20. Utilice solamente las cuchillas genuinas del fabricante especificadas en este manual.
21. Compruebe las cuchillas cuidadosamente para ver si tienen grietas o daños antes de comenzar la operación. Reemplace las cuchillas agrietadas o dañadas inmediatamente.
22. Asegúrese de que el área está despejada de gente antes de segar. Detenga el cortacésped si entra alguien en el área.
23. Retire los objetos extraños tales como rocas, alambres, botellas, huesos y palos largos del área de trabajo antes de segar para evitar heridas personales o daños al cortacésped.
24. Detenga la operación inmediatamente si nota algo inusual. Apague el cortacésped y retire la llave del aparato. Después inspeccione el cortacésped.
25. No intente nunca realizar el ajuste de altura de las ruedas mientras el cortacésped está en marcha.
26. Suelte la palanca de interruptor y espere a que la cuchilla deje de girar antes de cruzar caminos de acceso, paseos, carreteras, o cualquier área cubierta con gravilla. Retire también la llave si la deja, si se adelanta para recoger o retirar algo del camino, o por cualquier otra razón que pueda distraerle de lo que está haciendo.
27. Los objetos golpeados por la cuchilla del cortacésped pueden ocasionar graves heridas personales. El césped deberá ser siempre examinado atentamente y despejado de todos los objetos antes de cada siega.
28. Si el cortacésped golpea un objeto extraño, siga estos pasos:
 - Detenga el cortacésped, suelte la palanca de interruptor y espere hasta que la cuchilla se haya detenido completamente.
 - Retire la llave de bloqueo y el cartucho de batería.

- Inspeccione detenidamente el cortacésped para ver si se ha dañado.
 - Sustituya la cuchilla si tiene cualquier tipo de daño.
- Repáre cualquier daño antes de volver a poner en marcha y continuar utilizando la cortadora de césped.
29. Compruebe la bolsa trasera con frecuencia para ver si está gastada o deteriorada. Para el almacenamiento, asegúrese siempre de que la bolsa trasera está vacía. Sustituya la bolsa si está gastada con una bolsa de recambio de fábrica por seguridad.
 30. Detenga el motor y retire la llave siempre que deje el equipo, antes de limpiar la carcasa del cortacésped, y antes de realizar reparaciones o inspecciones.
 31. Utilice mucha precaución cuando retroceda o tire de la máquina hacia usted.
 32. Detenga la cuchilla(s) si la máquina tiene que ser inclinada para transportarla cuando atraviese superficies que no sean de hierba, y cuando transporte la máquina hasta o desde el área donde la utiliza.
 33. No utilice nunca la máquina con protectores o escudos defectuosos, ni sin los dispositivos de seguridad, por ejemplo, deflectores y/o recogedores de hierba, en su sitio.
 34. Encienda el motor con cuidado de acuerdo con las instrucciones y con los pies bien alejados de la cuchilla(s).
 35. No incline la máquina cuando vaya a encender el motor, excepto si la máquina tiene que ser inclinada para arrancarla. En este caso, no la incline más de lo absolutamente necesario y levante solamente la parte que está alejada del operario.
 36. No ponga en marcha la máquina cuando se encuentre enfrente de la abertura de descarga.
 37. No ponga las manos ni los pies cerca o debajo de las piezas giratorias. Manténgase alejado de la abertura de descarga en todo momento.
 38. No transporte la máquina mientras el cortacésped está encendido.
 39. Detenga la máquina, y retire el dispositivo de inhabilitación. Asegúrese de que todas las piezas que se mueven se hayan parado completamente
 - siempre que vaya a dejar la máquina,
 - antes de retirar obstrucciones o desatascar la tolva,
 - antes de comprobar, limpiar o trabajar en la máquina,
 - después de haber golpeado un objeto extraño. Inspeccione la máquina para ver si está dañada y realice las reparaciones antes de volver a ponerla en marcha y utilizarla;
 40. Si la máquina comienza a vibrar anormalmente (compruebe inmediatamente)
 - inspeccione para ver si está dañada,
 - sustituya o repare cualquier pieza dañada,
 - compruebe si hay alguna pieza floja y apriétela.
 41. Tenga cuidado durante el ajuste de la máquina para evitar pillarse los dedos entre las cuchillas que se mueven y las piezas fijas de la máquina.

42. Siegue a través de la cara de la pendiente, nunca de arriba a abajo. Extremar las precauciones cuando cambie de dirección en pendientes. No siegue en cuestas empinadas excesivamente.
43. No lave la máquina con una manguera; evite mojar el motor y las conexiones eléctricas.
44. Compruebe el perno de montaje de la cuchilla a intervalos frecuentes para ver que está bien apretado.
45. Mantenga todas las tuercas, pernos y tornillos apretados para asegurarse de que el equipo está en condiciones de trabajo seguras.
46. Deje siempre que la máquina se enfríe antes de almacenarla.
47. Cuando haga el mantenimiento a las cuchillas, sea consciente de que, aunque la fuente de alimentación esté apagada, las cuchillas todavía se pueden mover.
48. Sustituya las piezas gastadas o dañadas por seguridad. Utilice solamente piezas de repuesto y accesorios genuinos.

GUARDE ESTAS INSTRUCCIONES.

⚠ ADVERTENCIA:

NO deje que la comodidad o familiaridad con el producto (a base de utilizarlo repetidamente) sustituya la estricta observancia de las normas de seguridad para el producto en cuestión. El MAL USO o el no seguir las normas de seguridad establecidas en este manual de instrucciones podrá ocasionar graves heridas personales.

ENC007-8

INSTRUCCIONES DE SEGURIDAD IMPORTANTES

PARA EL CARTUCHO DE BATERÍA

1. Antes de utilizar el cartucho de batería, lea todas las instrucciones e indicaciones de precaución sobre (1) el cargador de baterías, (2) la batería, y (3) el producto con el que se utiliza la batería.
2. No desarme el cartucho de batería.
3. Si el tiempo de uso del cartucho de batería se acorta demasiado, deje de usarlo inmediatamente. Podría resultar en un riesgo de recalentamiento, posibles quemaduras e incluso una explosión.
4. Si entra electrólito en sus ojos, aclárelos con agua limpia y vea a un médico inmediatamente. Existe el riesgo de poder perder la vista.
5. No cortocircuite el cartucho de batería:
 - (1) No toque los terminales con ningún material conductor.
 - (2) Evite guardar el cartucho de batería en un cajón junto con otros objetos metálicos, tales como clavos, monedas, etc.
 - (3) No exponga el cartucho de batería al agua ni a la lluvia.

Un cortocircuito en la batería puede producir una gran circulación de corriente, un recalentamiento, posibles quemaduras e incluso una rotura de la misma.
6. No guarde la herramienta ni el cartucho de batería en lugares donde la temperatura pueda alcanzar o exceder los 50°C.

7. Nunca incinere el cartucho de batería incluso en el caso de que esté dañado seriamente o ya no sirva en absoluto. El cartucho de batería puede explotar si se tira al fuego.
8. Tenga cuidado de no dejar caer ni golpear el cartucho de batería.
9. No utilice una batería dañada.
10. Siga los reglamentos locales referentes al desecho de la batería.

GUARDE ESTAS INSTRUCCIONES.

Consejos para alargar al máximo la vida de servicio de la batería

1. Cargue el cartucho de batería antes de que se descargue completamente. Detenga siempre la operación y cargue el cartucho de batería cuando note menos potencia en la herramienta.
2. No cargue nunca un cartucho de batería que esté completamente cargado. La sobrecarga acortará la vida de servicio de la batería.
3. Cargue el cartucho de batería a temperatura ambiente de 10°C – 40°C. Si un cartucho de batería está caliente, déjelo enfriar antes de cargarlo.
4. Cargue el cartucho de batería una vez cada seis meses si no lo utiliza durante un periodo de tiempo prolongado.

DESCRIPCIÓN DEL FUNCIONAMIENTO

Instalación o desmontaje del cartucho de batería

PRECAUCIÓN:

- Apague siempre la herramienta antes de instalar o extraer el cartucho de batería.
- Asegúrese de que ha bloqueado la tapa de la batería antes de utilizar la herramienta. De lo contrario, el barro, la suciedad o el agua podrán ocasionar daños a la herramienta o al cartucho de batería.
- Instale siempre el cartucho de batería completamente hasta que no pueda verse el indicador rojo. En caso contrario, podrá caerse accidentalmente de la herramienta y ocasionarle heridas a usted o a alguien que esté cerca de usted.
- No instale el cartucho de batería empleando fuerza. Si el cartucho no se desliza al interior fácilmente, será porque no está siendo insertado correctamente.

NOTA:

- La herramienta no funciona con un cartucho de batería solamente.

Para instalar el cartucho de batería;

1. Tire de la palanca de bloqueo de la tapa de la batería hacia usted y abra la tapa de la batería. (Fig. 1)
2. Para instalar el cartucho de batería, alinee la lengüeta del cartucho de batería con la ranura de la carcasa y deslícelo hasta que encaje en su sitio. Insértelo a tope hasta que se bloquee en su sitio produciendo un pequeño chasquido. Si puede ver el indicador rojo en el lado superior del botón, no estará bloqueado completamente. (Fig. 2)
3. Inserte la llave de bloqueo en el lugar mostrado en la figura a tope. (Fig. 3)

4. Cierre la tapa de la batería y presiónela hasta que se quede trincada con la palanca de bloqueo.

Para retirar el cartucho de batería del cortacésped;

1. Tire de la palanca de bloqueo de la tapa de la batería hacia usted y abra la tapa de la batería.
2. Deslícelo de la herramienta a la vez que desliza el botón de la parte frontal del cartucho.
3. Saque la llave de bloqueo.
4. Cierre la tapa de la batería.

Sistema de protección de la batería

La herramienta está equipada con un sistema de protección de la herramienta/batería. Este sistema corta automáticamente la alimentación del motor para alargar la vida útil de la herramienta y de la batería.

La herramienta se detendrá automáticamente durante la operación si la herramienta o la batería son puestas en una de las condiciones siguientes. En algunas condiciones, los indicadores se iluminarán.

Protección de sobrecarga

Cuando la herramienta sea utilizada de una manera que dé lugar a que tenga que absorber una corriente anormalmente alta, la herramienta se detendrá automáticamente sin ninguna indicación. En esta situación, apague la herramienta y detenga la tarea que ocasiona la sobrecarga de la herramienta. Después encienda la herramienta para volver a empezar.

Protección contra el recalentamiento

Cuando la herramienta o la batería se recalienta, la herramienta se detiene automáticamente sin ninguna indicación. La herramienta no se pondrá en marcha aunque la encienda. En esta situación, deje que la herramienta o la batería se enfríe antes de encender la herramienta otra vez.

NOTA:

- La protección contra el recalentamiento funciona solamente con un cartucho de batería que tenga la marca de estrella. El sistema de protección contra el recalentamiento de la herramienta funciona con cualquier cartucho de batería. (Fig. 4)

Protección contra la descarga excesiva (Fig. 5)

Cuando la capacidad de batería restante sea baja, el indicador de batería parpadeará en el lado aplicable de la batería. Si se sigue utilizando, la herramienta se detendrá y el indicador de batería se iluminará durante unos 10 segundos. En esta situación, cargue el cartucho de batería.

Accionamiento del interruptor de alimentación

ADVERTENCIA:

- Antes de instalar el cartucho de batería en la herramienta, compruebe siempre para cerciorarse de que el interruptor de palanca se acciona debidamente y que vuelve a la posición original cuando lo suelta. La utilización de una herramienta con un interruptor que no se acciona debidamente puede dar lugar a la pérdida de control y graves heridas personales.

NOTA:

- Si intenta segar mucha hierba de una vez es posible que el motor no pueda ponerse en marcha debido a la sobrecarga. En este momento, cambie la altura de la siega a un nivel más alto y vuelva a comenzar.

- La cortadora de césped no se pone en marcha sin apretar el interruptor de botón aunque se apriete el interruptor de palanca.

Este cortacésped está equipado con un interruptor de encendido e interruptor de asidero. Si nota algo inusual con cualquiera de estos interruptores, detenga la operación inmediatamente y haga que se los comprueben en el Centro de Servicio Makita autorizado más cercano.

1. Instale los cartuchos de batería. Inserte la llave de bloqueo en el interruptor de encendido y después cierre la tapa de la batería. (Fig. 3)
2. Presione el interruptor de botón.
3. Tire del interruptor de palanca hacia usted mientras presiona el interruptor de botón.
4. Suelte el botón de interruptor tan pronto como el motor se ponga en marcha. La cortadora de césped continuará en marcha hasta que suelte el interruptor de palanca. (Fig. 6)
5. Suelte la palanca de interruptor para parar el motor.
6. Cuando no lo esté utilizando, retire la llave de bloqueo. Almacene la llave de bloqueo en un lugar seguro fuera del alcance de los niños.

Ajuste de la altura de la siega (Fig. 7)

⚠ ADVERTENCIA:

- No ponga nunca su mano ni pierna debajo de la unidad del cortacésped cuando ajuste la altura de la siega.
- Asegúrese siempre de que la palanca encaja en la ranura debidamente antes de la operación.

La altura de la siega se puede ajustar en el rango de entre 25 mm – 75 mm.

1. Retire la llave de bloqueo.
2. Tire de la palanca de ajuste de altura de la siega hacia el lado A. Muévela hasta el nivel de altura de siega que desee. Asegúrese de que los pasadores de la palanca de ajuste de la altura de la siega encajen en los agujeros y que la palanca vuelva al lado B.

NOTA:

- Las cifras de altura de la siega deberán ser utilizadas sólo como guía, dado que el estado del césped o el suelo podrán hacer que la altura del césped sea ligeramente diferente del de la cifra de altura establecida.
- Realice una prueba segando hierba en un lugar menos notorio para obtener la altura que desea.
- Es más fácil mover la palanca ajuste de altura de la siega con la herramienta sujeta firmemente. (Fig. 8)

Indicador del nivel de la hierba (Fig. 9)

El indicador del nivel de la hierba muestra el volumen de la hierba recogida.

- Cuando la cesta para hierba no está llena, el indicador flota durante la siega.
- Cuando la cesta para hierba está llena, el indicador no flota durante la siega. En este caso, detenga la siega inmediatamente y vacíe la cesta. Después de vaciar la cesta, límpiela de forma que su malla ventile el aire.

NOTA:

- Este indicador es aproximado. Dependiendo de las condiciones del interior de la cesta, este indicador puede no funcionar debidamente.

MONTAJE

⚠ ADVERTENCIA:

- **Asegúrese siempre de que la llave de bloqueo y el cartucho de batería han sido retirados antes de realizar cualquier trabajo en el cortacésped.** Si no retira la llave de bloqueo y el cartucho de batería podrá resultar en graves heridas personales a causa de un arranque accidental.
- **No ponga nunca en marcha la herramienta a menos que esté completamente ensamblada.** La utilización de la herramienta en un estado parcialmente ensamblado podrá resultar en graves heridas personales a causa de un arranque accidental.

Instalación de la tapa de la batería

⚠ ADVERTENCIA:

- No inserte la llave de bloqueo y el cartucho de batería antes de instalar la tapa de la batería. En caso contrario podrán producirse heridas graves.

Instale la tapa de la batería completamente antes de utilizar la herramienta para proteger la herramienta y el cartucho de batería del barro, la suciedad, o el agua.

1. Coloque la tapa de la batería en la herramienta alineando los salientes en la herramienta y los agujeros de la tapa de la batería. (Fig. 10)
2. Coloque las manos en el medio de la tapa de la batería y presiónela hacia abajo. (Fig. 11)
3. Antes de realizar la primera operación, compruebe que los puntos de pivote de la tapa de la batería están ensamblados correctamente. Para comprobarlo, tire de la palanca de bloqueo de la tapa de la batería hacia usted y abra la tapa de la batería. (Fig. 12)

Instalación del asidero (Fig. 13, 14 y 15)

⚠ ADVERTENCIA:

- Cuando instale los asideros, coloque los cables de forma que no sean pillados con ninguna cosa entre los asideros.

1. Afloje los tornillos de apriete (dos piezas).
2. Expanda el asidero inferior a ambos lados del mismo y con él expandido en esa posición pivótelos hacia atrás y después encájelos en la ranura de la cubierta.
3. Apriete los tornillos de apriete en ambos lados para sujetar el asidero inferior.
4. Levante el asidero superior y alinee los orificios para tornillos en el asidero superior con los del asidero inferior. Sujételos con los tornillos, arandelas rizadas y tuercas de apriete suministrados.

NOTA:

- Ahora, sujete el asidero superior firmemente de forma que no se le caiga de la mano.

NOTA:

- Instale el asidero superior de forma que la dirección del asidero superior y el cable de suministro de alimentación estén en la posición mostrada en la figura. (Fig. 16)

Desmontaje o instalación de la cuchilla (Fig. 17 y 18)

ADVERTENCIA:

- Retire siempre la llave de bloqueo y el cartucho de batería cuando vaya a desmontar o instalar la cuchilla. Si no retira la llave de bloqueo y el cartucho de batería podrá ocasionar una herida grave.
 - La cuchilla sigue girando por inercia durante unos cuantos segundos después de soltar el interruptor. Asegúrese de que la cuchilla se ha detenido completamente.
 - Póngase siempre guantes cuando maneje la cuchilla.
1. Ponga el cortacésped sobre su costado de forma que la palanca de ajuste de altura de la siega esté colocada en el lado superior.
 2. Para bloquear la cuchilla, inserte madera o algo similar en la cortadora de césped.
 3. Afloje el perno girándolo hacia la izquierda con la llave de cubo.
 4. Retire el perno, arandera de resorte, arandera plana y cuchilla en ese orden.

Para instalar la cuchilla, siga el procedimiento de desmontaje de la cuchilla a la inversa.

ADVERTENCIA:

- Instale la cuchilla con cuidado porque tiene una orientación hacia arriba/abajo.
- Apriete el perno girándolo hacia la derecha firmemente para sujetar la cuchilla.
- Ponga la cuchilla de forma que el lado de la cuchilla con flecha de dirección de giro quede orientado hacia afuera.
- Asegúrese de que la cuchilla está instalada firmemente.

Instalación de la cesta para hierba (Fig. 19 y 20)

Retire la llave de bloqueo.

Levante el protector trasero de la unidad de la cortadora de césped.

Enganche la cesta para hierba en la ranura de la unidad de la cortadora de césped.

OPERACIÓN

Siega

ADVERTENCIA:

- Antes de segar, retire los palos y piedras del área de la siega. Además, retire cualquier maleza del área de la siega de antemano.
- Póngase siempre gafas de seguridad o gafas de protección con escudos laterales cuando utilice el cortacésped.

Sujete firmemente el asidero del cortacésped con ambas manos cuando siegue.

La anchura entre el centro de las ruedas delanteras muestra la guía de la amplitud de corte. Para una siega uniforme, solape parcialmente el área de siega con el área segada previamente.

Compruebe periódicamente el nivel de la cesta para hierba, y vacíela antes de que se llene. Antes de cada comprobación periódica, asegúrese de parar el cortacésped y retirar la llave de bloqueo y el cartucho de batería.

NOTA:

- La utilización del cortacésped con la cesta para hierba llena impide el giro uniforme de la cuchilla y añade una carga extra al motor, que puede ocasionar una avería.

Siega de un césped largo (Fig. 21)

No intente cortar hierba larga de una sola vez. En su lugar, siegue el césped en etapas, dejando uno o dos días entre las siegas, hasta que el césped esté uniformemente corto.

NOTA:

- El segar hierba larga a una longitud corta de una vez puede hacer que la hierba muera y/o bloquee el interior de la unidad principal.

Vaciado de la cesta para césped (Fig. 22)

ADVERTENCIA:

- Para reducir el riesgo de un accidente, compruebe regularmente la cesta para hierba para ver si tiene algún daño o resistencia debilitada y reemplace si es necesario.
1. Suelte la palanca de interruptor.
 2. Retire la llave de bloqueo.
 3. Abra el protector trasero y saque la cesta para hierba con su asidero.
 4. Vacíe la cesta para hierba.

MANTENIMIENTO Y ALMACENAJE

ADVERTENCIA:

- Asegúrese siempre de que la llave de bloqueo y el cartucho de batería han sido retirados del cortacésped antes de almacenar o intentar realizar la inspección o el mantenimiento.
- Póngase guantes cuando realice la inspección o el mantenimiento.

PRECAUCIÓN:

- No utilice nunca gasolina, bencina, disolvente, alcohol o similares. Podría producir descoloración, deformación o grietas.

MANTENIMIENTO

1. **RETIRE LA LLAVE DE BLOQUEO.** Almacénela en un lugar seguro fuera del alcance de los niños.
2. Limpie su cortacésped utilizando solamente jabón suave y un paño humedecido. No pulverice ni vierta agua sobre su cortacésped cuando lo limpie.
3. Ponga el cortacésped sobre su costado y limpie los recortes de hierba que se hayan acumulado debajo de la cubierta del cortacésped.
4. Compruebe todas las tuercas, pernos, pomos, tornillos, sujetadores, etc. para ver que están bien apretados.
5. Inspeccione las piezas que se mueven para ver si están dañadas, rotas, y gastadas. Haga que le reparen cualquier pieza dañada o que falte.
6. Antes de almacenar el cortacésped, retire de él el cartucho de batería.
7. Almacénelo en interiores en un lugar fresco, seco y cerrado con llave. No almacene el cortacésped y el cargador en lugares donde la temperatura pueda alcanzar o exceder los 40°C.

Almacenamiento (Fig. 23, 24 y 25)

ADVERTENCIA:

- Cuando transporte o almacene la cortadora de césped, sujétela por el asidero y la empuñadura delantera. Si la sujeta solamente por los asideros podrá ocasionar una herida grave o daños al cortacésped.
1. Afloje el tornillo de apriete, expanda el asidero inferior a ambos lados y después mueva hacia abajo el asidero al frente. Ahora, sujete la empuñadura delantera firmemente de forma que no se caiga en el lado alejado de la herramienta.

2. Afloje la tuerca de apriete y pivote el asidero superior hacia atrás.

Para mantener la SEGURIDAD y FIABILIDAD del producto, las reparaciones, el mantenimiento y los ajustes deberán ser realizados por centros de servicio autorizado de Makita, siempre con piezas de repuesto de Makita.

SOLUCIÓN DE PROBLEMAS

Antes de solicitar reparaciones, realice su propia inspección en primer lugar. Si encuentra un problema que no está explicado en el manual, no intente desmontar la herramienta. En su lugar, pregunte en centros de servicio autorizado Makita, utilizando siempre piezas de recambio Makita para las reparaciones.

Estado de malfuncionamiento	Causa	Acción
El cortacésped no se pone en marcha.	No hay instalados dos cartuchos de batería.	Instale los cartuchos de batería cargados.
	Problema de batería (poca tensión)	Recargue el cartucho de batería. Si la recarga no se realiza efectivamente, sustituya el cartucho de batería.
	La llave de bloqueo no está insertada.	Inserte la llave de bloqueo.
El motor se para después de usarlo un poco.	El nivel de carga de la batería es bajo.	Recargue el cartucho de batería. Si la recarga no se realiza efectivamente, sustituya el cartucho de batería.
	La altura de corte ajustada es muy baja.	Suba la altura.
No alcanza el máximo de RPM.	El cartucho de batería está instalada incorrectamente.	Instale el cartucho de batería como se describe en este manual.
	La potencia de la batería está cayendo.	Recargue el cartucho de batería. Si la recarga no se realiza efectivamente, sustituya el cartucho de batería.
	El sistema de accionamiento no funciona correctamente.	Pida a su centro de servicio autorizado local que se lo reparen.
La herramienta de corte no gira. ¡detenga la máquina inmediatamente!	Se han atascado objetos extraños tales como una rama cerca de la cuchilla.	Retire el objeto extraño.
	El sistema de accionamiento no funciona correctamente.	Pida a su centro de servicio autorizado local que se lo reparen.
Vibración anormal: ¡detenga la máquina inmediatamente!	La cuchilla está desequilibrada, excesivamente o desigualmente gastada.	Sustituya la cuchilla.

014546

ACCESORIOS OPCIONALES

ENH223-1

PRECAUCIÓN:

- Estos accesorios o aditamentos están recomendados para su uso con la herramienta Makita especificada en este manual. El uso de cualquier otro accesorio o aditamento puede suponer un riesgo de lesiones personales. Utilice el accesorio o aditamento exclusivamente para su uso declarado.

Si necesita información más detallada sobre estos accesorios, consulte con su centro local de servicio de Makita.

- Cuchilla
- Batería y cargador genuinos de Makita

NOTA:

- Algunos elementos de la lista podrán estar incluidos en la paquete de la herramienta como accesorios estándar. Pueden variar de un país a otro.

ENG905-1

Ruido

El nivel de ruido A-ponderado típico determinado de acuerdo con la norma 2000/14/CE:

Nivel de presión sonora (L_{pA}): 81 dB (A)
Nivel de potencia sonora (L_{WA}): 93 dB (A)
Incerteza (K): 3 dB (A)

Póngase protectores en los oídos

ENG900-1

Vibración

El valor total de la vibración (suma de vectores triaxiales) determinado de acuerdo con la norma EN60335:

Emisión de vibración (a_h): 2,5 m/s² o menos
Incerteza (K): 1,5 m/s²

ENG901-1

- El valor de emisión de vibración declarado ha sido medido de acuerdo con el método de prueba estándar y se puede utilizar para comparar una herramienta con otra.
- El valor de emisión de vibración declarado también se puede utilizar en una valoración preliminar de exposición.

ADVERTENCIA:

- La emisión de vibración durante la utilización real de la herramienta eléctrica puede variar del valor de emisión declarado dependiendo de las formas en las que la herramienta sea utilizada.
- Asegúrese de identificar medidas de seguridad para proteger al operario que estén basadas en una estimación de la exposición en las condiciones reales de utilización (teniendo en cuenta todas las partes del ciclo operativo tal como las veces cuando la herramienta está apagada y cuando está funcionando en vacío además del tiempo de gatillo).

Para países europeos solamente

Declaración de conformidad CE

Makita declara que la(s) máquina(s) siguiente(s):

Designación de máquina:
Cortadora de Cesped
Modelo N°/Tipo: DLM380
Especificaciones: consulte la tabla de "ESPECIFICACIONES".

Cumplen con las directivas europeas siguientes:

2000/14/CE, 2006/42/CE

Están fabricadas de acuerdo con las normas o documentos normalizados siguientes:
EN60335

El archivo técnico de acuerdo con la norma 2006/42/CE está disponible en:

Makita International Europe Ltd.
Departamento técnico,
Michigan Drive, Tongwell,
Milton Keynes, Bucks MK15 8JD, Inglaterra

El procedimiento de valoración de conformidad requerido por la Directiva 2000/14/CE ha sido realizado de acuerdo con el anexo VI.

Organismo facultativo:

TÜV Rheinland LGA Products GmbH
Tillystraße 2
90431 Nürnberg, Alemania
Número de identificación 0197

Nivel de potencia de sonido medido: 93 dB (A)

Nivel de potencia de sonido garantizado: 94 dB (A)

1.10.2013




Tomoyasu Kato
Director
Makita Corporation
3-11-8, Sumiyoshi-cho,
Anjo, Aichi, 446-8502, JAPAN

Explicação geral

1	Alavanca de bloqueio da tampa da bateria	13	Saliência	27	Lâmina
2	Tampa da bateria	14	Ponto de articulação	28	Chave
3	Bateria	15	Guiador inferior	29	Tábua
4	Chave de segurança	16	Parafuso de fixação	30	Suporte da lâmina
5	Marca da estrela	17	Apertar	31	Anilha achatada
6	Indicador da bateria	18	Soltar	32	Grampo de mola
7	Botão do interruptor	19	Ranhura	33	Perno
8	Alavanca do interruptor	20	Guiador superior	34	Gancho
9	Alavanca de ajuste da altura do corte	21	Orifícios	35	Colector de relva
10	Pinos	22	Porca de fixação	36	Guiador
11	Indicador do nível da relva	23	Anilha frisada	37	Protector traseiro
12	Orifício	24	Parafuso		
		25	Fixador		
		26	Fio		

ESPECIFICAÇÕES

Modelo		DLM380	
Largura do corte		380 mm	
Velocidade em vazio		3.700 min ⁻¹	
Dimensões (C x L x A)	durante a operação	1.145 mm x 465 mm x 1.023 mm – 1.070 mm	
	quando armazenado	680 mm x 470 mm x 505 mm	
Voltagem nominal		36 V CC	
Bateria(s) padrão  Aviso: Utilize só a(s) bateria(s) indicada(s).		BL1815N	BL1830 / BL1840
Peso líquido		14,5 kg	15,0 kg

- Devido a um programa contínuo de pesquisa e desenvolvimento, estas especificações podem ser alteradas sem aviso prévio.
- As especificações e a bateria podem diferir de país para país.
- Peso, com a bateria, de acordo com o Procedimento 01/2003 da EPTA (European Power Tool Association)



- Remova a chave de segurança antes de realizar uma inspeção, ajuste, limpeza, manutenção, armazenamento ou quando não estiver em utilização.
- Apenas para os países da União Européia
Não deite equipamentos eléctricos nem baterias no lixo doméstico!
Em conformidade com as Diretivas Europeias referentes à Eliminação dos equipamentos eléctricos e electrónicos e baterias e acumuladores e à eliminação de baterias e acumuladores e a sua implementação de acordo com as leis nacionais, os equipamentos eléctricos e as baterias e pacotes de baterias que tenham atingido o fim da sua vida útil de utilização têm de ser recolhidos separadamente e entregues em instalações de reciclagem ambientalmente compatíveis.

END016-5

SÍMBOLOS

O seguinte mostra os símbolos utilizados para a ferramenta. Certifique-se de que compreende o seu significado antes da utilização.



- Tenha muito cuidado e atenção.



- Leia o manual de instruções.



- Perigo: tenha cuidado com objectos atirados.



- Deve-se manter uma distância de pelo menos 15 m entre a ferramenta e os espectadores.



- Nunca aproxime as mãos ou os pés da lâmina localizada embaixo do cortador de relva.

IMPORTANTES INSTRUÇÕES DE SEGURANÇA

⚠ AVISO! Leia todos os avisos de segurança e todas as instruções. O não cumprimento de todos os avisos e instruções pode originar choque eléctrico, incêndio e/ou ferimentos graves.

Guarde todos os avisos e instruções para futuras referências.

1. Não insira a chave no cortador de relva antes que esteja pronto para ser utilizado.
 2. Este aparelho não foi concebido para ser utilizado por pessoas (inclusive crianças) com capacidades físicas, sensoriais ou mentais reduzidas ou sem experiência e conhecimento, a menos que sejam supervisionadas ou recebam instruções sobre a utilização da pessoa responsável pela sua segurança.
 3. Supervisione as crianças para que elas não brinquem com o aparelho.
 4. Nunca permita que crianças nem pessoas não familiarizadas com estas instruções utilizem a máquina. A idade do operador pode ser restrita segundo com os regulamentos locais.
 5. Nunca utilize a máquina se pessoas, especialmente crianças, ou animais estiverem presentes.
 6. Lembre-se que o operador ou utilizador é responsável por riscos ou acidentes que possam ferir outras pessoas ou danificar propriedade alheia.
 7. Utilize sempre calçados apropriados e calças compridas quando utilizar a máquina. Não utilize a máquina se estiver descalço ou calçando sandálias abertas. Evite vestir roupas largas, usar jóias com pingentes ou gravatas. Essas podem ser presas nas peças em movimento.
 8. Opere a máquina só durante o dia ou com boa iluminação artificial.
 9. Evite operar a máquina em relva molhada.
 10. Nunca opere o cortador de relva na chuva.
 11. Utilização e cuidados com a bateria
 - Recarregue a bateria só com o carregador especificado pelo fabricante. Um carregador adequado para um tipo de cartucho de bateria pode criar um risco de incêndio quando utilizado com outro cartucho de bateria.
 - Utilize as ferramentas eléctricas apenas com cartuchos de baterias especificamente designadas para elas. A utilização de outros cartuchos de bateria pode criar um risco de ferimentos e incêndio.
 - Quando o cartucho de bateria não está a ser utilizado, mantenha-o afastado de outros objectos metálicos, como cliques, moedas, chaves, pregos, parafusos ou outros objectos metálicos pequenos que possam fazer a ligação entre os terminais. Colocar os terminais da bateria em curto-circuito pode provocar queimaduras ou um incêndio.
- Em condições abusivas, o líquido no interior das baterias pode babar; evite o contacto. Se ocorrer contacto accidental, lave com água. Se o líquido entrar em contacto com os olhos, procure ajuda médica. O líquido ejectado da bateria pode provocar irritações ou queimaduras.
 12. Segure o guiador sempre com firmeza.
 13. Mantenha-se sempre numa posição segura e firme ao trabalhar em declives.
 14. Ande, nunca corra.
 15. Não agarre nas lâminas de corte expostas nem nos bordos cortantes ao apanhar ou segurar o aparelho.
 16. Condição física — Não opere o cortador de relva se estiver sob a influência de drogas, bebidas alcoólicas ou qualquer medicamento.
 17. Mantenha os protectores instalados e em boas condições.
 18. Mantenha as mãos e os pés longe das lâminas rotativas. Precaução — A lâmina continua a rodar depois de desligar a ferramenta.
 19. Retire a chave antes de fazer manutenção, limpeza, ou remover detritos do equipamento de jardinagem.
 20. Utilize só as lâminas originais do fabricante especificadas neste manual.
 21. Antes de utilizar a ferramenta, verifique cuidadosamente se as lâminas não estão trincadas ou danificadas. Substitua imediatamente as lâminas trincadas ou danificadas.
 22. Verifique se não há outras pessoas na área antes de cortar a relva. Pare o cortador de relva se alguém se aproximar da área.
 23. Antes de iniciar o corte do relvado, remova os objectos estranhos tais como pedras, fios, garrafas, ossos ou pedaços de madeira da área de trabalho para evitar ferimentos pessoais ou danos ao cortador de relva.
 24. Pare imediatamente a operação se notar qualquer funcionamento anormal. Desligue o cortador de relva e retire a chave do aparelho. Em seguida, inspeccione o cortador de relva.
 25. Nunca tente fazer ajustes na altura das rodas enquanto o cortador de relva está em funcionamento.
 26. Liberte a alavanca do interruptor e espere a rotação da lâmina parar antes de cruzar calçamento, caminhos, ruas ou qualquer área com cascalhos. Retire também a chave quando se afastar do cortador de relva por alguns instantes, seja para apanhar ou remover qualquer objecto do caminho ou por qualquer outro motivo que possa distraí-lo do seu trabalho.
 27. Os objectos atingidos pela lâmina do cortador de relva podem causar ferimentos pessoais sérios. Inspeccione sempre o relvado cuidadosamente e remova todos os objectos antes de cada corte da relva.

28. Se o cortador de relva bater num objecto estranho, siga os passos abaixo:
 - Desligue o cortador de relva, liberte a alavanca do interruptor e aguarde até a lâmina parar completamente.
 - Retire a chave de segurança e a bateria.
 - Inspeccione o cortador de relva cuidadosamente para ver se não está danificado.
 - Substitua a lâmina se estiver danificada.
 Repare qualquer avaria antes de reiniciar e continue a utilizar o cortador de relva.
29. Verifique o saco traseiro com frequência para ver se não está desgastado ou estragado. Assegure-se sempre de que o saco traseiro esteja vazio antes de armazenar. Para segurança, substitua o saco desgastado por um novo original de fábrica.
30. Desligue o motor e retire a chave sempre que se afastar do equipamento, antes de limpar a caixa do cortador de relva e antes de executar qualquer reparo ou inspecção.
31. Tenha muito cuidado quando volta ou puxa a máquina na sua própria direcção.
32. Pare a(s) lâmina(s) se tiver que transportar a máquina inclinada para cruzar áreas não relvadas e quando levar ou trazer a máquina para a área onde será utilizada.
33. Nunca opere a máquina com protectores defeituosos ou sem os dispositivos de segurança instalados, como por exemplo os deflectores e/ou colector de relva.
34. Ligue o motor com cuidado segundo as instruções e com os pés bem afastados da(s) lâmina(s).
35. Não incline a máquina ao ligar o motor, a menos que ela seja projectada para ser inclinada para ligar. Nesse caso, não incline mais do que o necessário e levante apenas a parte afastada do operador.
36. Não ligue a máquina quando estiver em frente do escapamento.
37. Não coloque as mãos ou pés perto nem debaixo das peças rotativas. Mantenha-se sempre afastado do escapamento.
38. Não transporte a máquina com o cortador de relva ligado.
39. Desligue a máquina e retire o dispositivo de desabilitação. Certifique-se de que todas as peças em movimento estejam paradas completamente
 - sempre que se afastar da máquina,
 - antes de desbloquear ou limpar a saída de relva,
 - antes de inspecionar, limpar ou fazer manutenção na máquina,
 - depois de ter batido num objecto estranho. Inspeccione a máquina e conserte-a se estiver danificada antes de reiniciar e operar outra vez;
40. Se a máquina começar a vibrar demais (verifique imediatamente)
 - inspeccione para ver se não há danos,
 - substitua ou conserte as peças danificadas,
 - verifique se há peças soltas e aperte-as.
41. Tenha muito cuidado ao regular a máquina para evitar prender os dedos entre as lâminas em movimento e as peças fixas da máquina.
42. Em terrenos inclinados, corte a relva transversalmente, nunca para cima e para baixo. Tenha muito cuidado ao mudar de direcção em declives. Não corte relva em terrenos extremamente inclinados.
43. Não lave utilizando uma mangueira; não deixe entrar água no motor e nas conexões eléctricas.
44. Inspeccione o parafuso de montagem da lâmina frequentemente para verificar se está bem apertado.
45. Mantenha todas as porcas, pernos e parafusos bem apertados para garantir que o equipamento esteja em condições seguras de trabalho.
46. Sempre espere a máquina arrefecer antes de a armazenar.
47. Ao fazer a manutenção nas lâminas, lembre-se que as lâminas se podem movimentar, mesmo com a alimentação desligada.
48. Por medida de segurança, substitua as peças desgastadas ou danificadas. Utilize somente acessórios e peças sobressalentes originais.

GUARDE ESTAS INSTRUÇÕES.



AVISO:

NÃO permita que conforto ou familiaridade com o produto (adquirido com o uso repetido) substitua a aderência estrita às regras de segurança da ferramenta. **MÁ INTERPRETAÇÃO** ou não seguimento das regras de segurança estabelecidas neste manual de instruções pode causar danos pessoais sérios.

ENC007-8

IMPORTANTES INSTRUÇÕES DE SEGURANÇA

PARA A BATERIA

1. Antes de utilizar a bateria, leia todas as instruções e etiquetas de precaução no (1) carregador de bateria (2) bateria e (3) produto que utiliza a bateria.
2. Não abra a bateria.
3. Se o tempo de funcionamento se tornar excessivamente curto, pare o funcionamento imediatamente. Pode resultar em sobreaquecimento, possíveis queimaduras e mesmo explosão.
4. Se entrar electrólito nos seus olhos, lave-os com água e consulte imediatamente um médico. Pode resultar em perda de visão.
5. Não corte-circuite a bateria:
 - (1) Não toque nos terminais com nenhum material condutor.
 - (2) Evite guardar o cartucho de bateria num recipiente juntamente com outros objectos metálicos como pregos, moedas, etc.
 - (3) Não exponha o cartucho de bateria à água ou chuva.
 Um curto-circuito pode ocasionar um enorme fluxo de corrente, sobreaquecimento, possíveis queimaduras e mesmo estragar-se.

6. Não guarde a ferramenta e a bateria em locais onde a temperatura pode atingir ou exceder 50°C.
7. Não queime a bateria mesmo que esteja estragada ou completamente gasta. A bateria pode explodir no fogo.
8. Tenha cuidado para não deixar cair ou dar pancadas na bateria.
9. Não utilize uma bateria danificada.
10. Siga os regulamentos locais relacionados com a eliminação das baterias.

GUARDE ESTAS INSTRUÇÕES.

Conselhos para manter a máxima vida útil da bateria

1. Carregue a bateria antes que esteja completamente descarregada. Pare sempre o funcionamento da ferramenta e carregue a bateria quando sentir que a ferramenta tem menos potência.
2. Nunca carregue uma bateria completamente carregada. O carregamento excessivo diminui a vida útil da bateria.
3. Carregue a bateria à temperatura ambiente de 10°C – 40°C. Deixe os cartuchos de bateria quentes arrefecerem antes de os carregar.
4. Carregue a bateria uma vez a cada seis meses se não for utilizá-la por um longo período de tempo.

DESCRIÇÃO FUNCIONAL

Instalar ou retirar a bateria

PRECAUÇÃO:

- Desligue sempre a ferramenta antes de instalar ou retirar a bateria.
- Certifique-se de que tranca a tampa da bateria antes de utilizar a ferramenta. Caso contrário a lama, sujidade ou água podem provocar danos no produto ou no cartucho de bateria.
- Instale sempre o cartucho de bateria até encaixar no lugar, ou seja, até não conseguir ver o indicador vermelho. Caso contrário, o cartucho pode cair acidentalmente da ferramenta, provocando ferimentos no utilizador ou em qualquer pessoa que esteja próxima do mesmo.
- Não instale o cartucho de bateria forçando-o. Se o cartucho não deslizar com facilidade para dentro do aparelho, é porque não está a inseri-lo correctamente.

NOTA:

- A ferramenta não funciona com apenas um cartucho de bateria.

Para instalar a bateria:

1. Puxe a alavanca de bloqueio da tampa da bateria para si e abra a tampa. (Fig. 1)
2. Para instalar o cartucho de bateria, alinhe a lingueta no cartucho com a ranhura no alojamento e faça-o deslizar para o lugar. Insira-o até ao fim, até bloquear no lugar com um pequeno estalido. Se conseguir ver o indicador vermelho na parte superior do botão, é porque o cartucho não está completamente bloqueado. (Fig. 2)

3. Insira a chave de segurança como indicado na ilustração o mais fundo possível. (Fig. 3)
4. Feche a tampa da bateria e pressione-a até travar com a alavanca de bloqueio.

Para remover a bateria do cortador de relva:

1. Puxe a alavanca de bloqueio da tampa da bateria para si e abra a tampa.
2. Retire-a da ferramenta enquanto desliza o botão na frente do cartucho.
3. Retire a chave de segurança.
4. Feche a tampa da bateria.

Sistema de protecção da bateria

A ferramenta está equipada com um sistema de protecção da ferramenta/bateria. Este sistema corta automaticamente a alimentação de energia ao motor para prolongar a vida útil da ferramenta e da bateria.

A ferramenta pára automaticamente durante o funcionamento se a ferramenta ou a bateria se encontrar numa das seguintes condições. Em algumas condições, a luz indicadora acende.

Protecção contra sobrecarga

Quando a ferramenta é utilizada de modo a provocar uma carga anormalmente elevada, a ferramenta pára automaticamente sem qualquer indicação. Neste caso, desligue a ferramenta e pare a aplicação que provocou a sobrecarga da ferramenta. Depois, ligue a ferramenta para rearmá-la.

Protecção contra sobreaquecimento

Quando a ferramenta ou a bateria aquecem demasiado, a ferramenta pára automaticamente sem qualquer indicação. A ferramenta não arranca mesmo que ligue a ferramenta. Nesta situação, deixe a ferramenta ou a bateria arrefecer antes de tentar voltar a ligá-la.

NOTA:

- A protecção contra sobreaquecimento da bateria só funciona com um cartucho de bateria que tenha a marca de uma estrela. O sistema de protecção contra sobreaquecimento da ferramenta funciona com qualquer cartucho de bateria. (Fig. 4)

Protecção contra descarga excessiva (Fig. 5)

Quando a capacidade restante da bateria fica demasiado baixa, o indicador da bateria pisca no lado aplicável da bateria. Se continuar a utilizar, a ferramenta pára e o indicador da bateria acende cerca de 10 segundos. Nesta situação, carregue o cartucho de bateria.

Funcionamento do interruptor de alimentação

AVISO:

- Antes de instalar o cartucho de bateria na ferramenta, verifique sempre se a alavanca do interruptor funciona correctamente e volta para a posição original quando é libertada. Utilizar a ferramenta com um interruptor que não opera correctamente pode provocar a perda de controlo e resultar em ferimentos pessoais sérios.

NOTA:

- Se tentar cortar muita relva de uma vez, o motor pode não ligar devido à sobrecarga. Nesse caso, altere o ajuste da altura do corte para um nível mais alto e ligue outra vez.
- O cortador de relva não liga se não carregar no botão do interruptor, mesmo que tenha puxado a alavanca do interruptor.

Este cortador de relva está equipado com um interruptor de interligação e interruptor no guiador. Se observar qualquer coisa anormal com um desses, pare a operação imediatamente e leve o equipamento para ser inspeccionado no Centro de assistência técnica autorizada Makita mais próximo.

1. Instale o cartucho de bateria. Insira a chave de bloqueio dentro do interruptor de interbloqueio e feche a tampa da bateria. (Fig. 3)
2. Carregue no botão do interruptor.
3. Puxe a alavanca do interruptor na sua direcção enquanto carrega no botão do interruptor.
4. Liberte o botão do interruptor assim que o motor começar a funcionar. O cortador de relva continuará a funcionar até libertar a alavanca do interruptor. (Fig. 6)
5. Liberte a alavanca do interruptor para parar o motor.
6. Retire a chave de segurança quando não estiver em utilização. Guarde a chave de segurança num lugar seguro e fora do alcance de crianças.

Ajustar a altura do corte (Fig. 7)

⚠ AVISO:

- Nunca coloque as mãos ou pés em baixo do cortador de relva quando ajusta a altura do corte.
- Verifique sempre se a alavanca está devidamente presa na ranhura antes da operação.

A altura do corte pode ser ajustada entre 25 mm a 75 mm.

1. Retire a chave de segurança.
2. Puxe a alavanca de altura de corte em direcção ao lado A. Mova-a para o nível de altura do corte pretendido. Certifique-se de que os pinos na alavanca de ajuste da altura do corte encaixam nos orifícios e que a alavanca volta para o lado B.

NOTA:

- Os números da altura de corte devem ser utilizados apenas como orientação, já que as condições do relvado ou do solo podem fazer com que a altura da relva seja um pouco diferente da altura ajustada.
- Faça um teste cortando a relva num local menos evidente para obter a altura desejada.
- É mais fácil mover a alavanca de ajuste da altura do corte segurando firmemente a ferramenta. (Fig. 8)

Indicador do nível da relva (Fig. 9)

O indicador de nível da relva mostra o volume de relva apanhado.

- Se o colectador de relva não estiver cheio, o indicador flutua durante o corte.
- Se o colectador de relva estiver cheio, o indicador não flutua durante o corte. Neste caso, pare imediatamente de cortar a relva e esvazie o colectador. Depois de esvaziar o colectador, limpe-o para que a rede deixe arejar o interior.

NOTA:

- Este indicador não é um guia seguro. Dependendo das condições do interior do colectador, este indicador pode não funcionar correctamente.

ASSEMBLAGEM

⚠ AVISO:

- **Verifique sempre se a chave de segurança e a bateria estão removidas antes de executar qualquer serviço de manutenção no cortador de relva.** Se não retirar a chave de segurança e a bateria, pode ocorrer um arranque accidental e resultar em ferimentos pessoais sérios.
- **Nunca ligue a ferramenta a menos que esteja completamente montada.** A operação da ferramenta parcialmente montada pode provocar o arranque accidental e resultar em ferimentos pessoais sérios.

Instalar a tampa da bateria

⚠ AVISO:

- Não insira a chave de bloqueio e o cartucho da bateria antes de instalar a tampa da bateria. O não cumprimento deste aviso pode provocar ferimentos graves.

Instale a tampa da bateria até ao fim antes de utilizar a ferramenta para proteger a ferramenta e o cartucho da bateria contra lama, sujidade ou água.

1. Coloque a tampa da bateria na ferramenta alinhando as saliências na ferramenta e os orifícios da tampa da bateria. (Fig. 10)
2. Ponha as mãos no meio da tampa da bateria e empurre-a. (Fig. 11)
3. Antes de utilizar a ferramenta pela primeira vez, verifique se o ponto de articulação da tampa da bateria está montado correctamente. Para verificar, puxe a alavanca de bloqueio da tampa da bateria na sua direcção e abra a tampa. (Fig. 12)

Instalar o guiador (Fig. 13, 14 e 15)

⚠ AVISO:

- Quando instalar os guias, posicione os fios de forma que não fiquem presos em nada entre os guias.
1. Desaperte os parafusos de fixação (dois).
 2. Alargue o guiador inferior em ambos os lados e, quando alargado nessa posição, rode-o para trás e encaixe-o na ranhura no chassi.
 3. Aperte os parafusos de fixação nos dois lados para prender o guiador inferior.
 4. Levante o guiador superior e alinhe os orifícios para os parafusos no guiador superior com os orifícios do guiador inferior. Prenda-as com os parafusos fornecidos, as anilhas frisadas e as porcas de fixação.

NOTA:

- Nesta altura, segure firmemente o guiador superior para que não caia da sua mão.

NOTA:

- Instale o guiador superior de forma a que a sua direcção e o fio de alimentação fiquem como mostrado na ilustração. (Fig. 16)

Retirar ou instalar a lâmina (Fig. 17 e 18)

⚠ AVISO:

- Retire sempre a chave de segurança e a bateria antes de remover ou instalar a lâmina. Falha em retirar a chave de segurança e a bateria pode provocar ferimentos sérios.

• A lâmina continua a girar devagar por alguns segundos depois de libertar o interruptor. Aguarde até que a lâmina pare completamente.

• Sempre use luvas para manusear a lâmina.

1. Coloque o cortador de relva de lado de forma que a alavanca de ajuste da altura do corte fique no lado de cima.
2. Para bloquear a lâmina, insira uma tábua ou semelhante dentro do cortador de relva.
3. Desaperte o parafuso para a esquerda com uma chave de caixa.
4. Retire o parafuso, o grampo de mola, a anilha achatada e a lâmina por esta ordem.

Para instalar a lâmina, execute inversamente o procedimento de retirar.

⚠ AVISO:

- Instale a lâmina com cuidado, uma vez que tem uma superfície superior/inferior.
- Aperte o perno rodando com firmeza para a direita para prender a lâmina.
- Coloque a lâmina de maneira que o lado com a seta indicando o sentido de rotação fique virado para fora.
- Assegure-se de que a lâmina esteja instalada com segurança.

Instale a colectora de relva (Fig. 19 e 20)

Retire a chave de segurança.

Suba o protector traseiro na unidade do cortador de relva.

Prenda o colectora de relva na ranhura da unidade do cortador de relva.

FUNCIONAMENTO

Cortar a relva

⚠ AVISO:

- Antes de cortar a relva, retire os pedaços de madeira e pedras da área que vai cortar. Remova também as ervas daninhas da área antes de cortar.
- Utilize sempre óculos de segurança com protecção lateral ao operar o cortador de relva.

Agarre o guiador do cortador de relva firmemente com as duas mãos para cortar a relva.

A largura entre o meio das rodas da frente mostra a linha de orientação do intervalo de corte. Para um corte uniforme, sobreponha parcialmente a área a cortar relativamente à área cortada anteriormente.

Verifique periodicamente o nível do colectora de relva e esvazie-o antes que fique cheio. Lembre-se de desligar o cortador de relva e retirar a chave de segurança e a bateria antes de cada inspecção periódica.

NOTA:

- Utilizar o cortador de relva com o colectora cheio previne a rotação suave da lâmina e sobrecarrega o motor, o que pode provocar avarias.

Cortar relva alta (Fig. 21)

Não tente cortar relva alta de uma vez. Em vez disso, corte a relva em etapas, deixando um ou dois dias de intervalo entre os cortes, até que a relva fique curta uniformemente.

NOTA:

- Cortar relva alta numa altura muito curta de uma vez pode prejudicar a relva e/ou obstruir o interior da unidade principal.

Esvazie o colectora de relva (Fig. 22)

⚠ AVISO:

• Para reduzir o risco de acidentes, inspecione o colectora de relva regularmente para ver se não está danificado ou enfraquecido e substitua-o, se for necessário.

1. Liberte a alavanca do interruptor.
2. Retire a chave de segurança.
3. Abra o protector traseiro para retirar o colectora de relva pela pega.
4. Esvazie o colectora de relva.

MANUTENÇÃO E ARMAZENAMENTO

⚠ AVISO:

- Certifique-se sempre de que a chave de segurança e a bateria estão retiradas do cortador de relva antes de o armazenar ou de realizar inspecção ou manutenção.
- Use luvas de segurança quando efectua uma inspecção ou manutenção.

⚠ PRECAUÇÃO:

- Nunca utilize gasolina, benzina, diluente, álcool ou produtos semelhantes. Pode ocorrer a descoloração, deformação ou rachaduras.

MANUTENÇÃO

1. RETIRE A CHAVE DE SEGURANÇA. Guarde-a num lugar seguro e fora do alcance de crianças.
2. Limpe o cortador de relva só com pano húmido e sabão suave. Não borrife nem jogue água no cortador de relva para o limpar.
3. Vire o cortador de relva de lado e limpe os resíduos de relva acumulados em baixo do chassi.
4. Verifique se todas as porcas, pernos, pinos, parafusos, grampos, etc. estão bem apertados.
5. Inspeccione as peças em movimento para ver se não estão danificadas, quebradas ou desgastadas. Conserte ou substitua as peças faltando ou danificadas.
6. Retire a bateria do cortador de relva antes de o armazenar.
7. Guarde o cortador de relva em recinto interno fresco e seco, com porta travada. Não guarde o cortador de relva nem a bateria em locais onde a temperatura possa atingir ou exceder 40°C.

Armazenamento (Fig. 23, 24 e 25)

⚠ AVISO:

• Quando transportar ou armazenar o cortador de relva, segure-o pelo guiador e pela frente. Segurar apenas pelos guias pode provocar ferimentos graves ou danificar o cortador de relva.

1. Desaperte o parafuso de fixação, alargue o guiador inferior para os lados e abaixe o guiador para a frente. Nesta altura, segure firmemente na parte da frente para que não caia para o lado mais afastado da ferramenta.
2. Desaperte a porca de fixação e gire o guiador superior para trás.

Para manter a SEGURANÇA e FIABILIDADE, as reparações e outras acções de manutenção ou ajustes devem ser executados pelos centros de assistência autorizados da Makita, utilizando sempre peças de substituição Makita.

SOLUÇÃO DE PROBLEMAS

Antes de solicitar reparos, faça primeiro uma inspecção. Se encontrar um problema que não esteja explicado no manual, não tente desmontar a ferramenta. Em vez disso, solicite o conserto a um centros de assistência autorizados da Makita, usando sempre peças de reposição originais Makita.

Problema	Causa	Solução
O cortador de relva não liga.	Não estão instalados dois cartuchos de bateria.	Instale os cartuchos de bateria carregados.
	Problema com a bateria (tensão baixa)	Recarregue o cartucho de bateria. Se recarregar a bateria não solucionar, substitua o cartucho de bateria.
	A chave de segurança não está inserida.	Insira a chave de segurança.
O motor pára de funcionar depois de pouco tempo de utilização.	O nível da carga da bateria está baixo.	Recarregue o cartucho de bateria. Se recarregar a bateria não solucionar, substitua o cartucho de bateria.
	O ajuste da altura de corte é muito baixo.	Aumente a altura.
Não atinge o RPM máximo.	O cartucho de bateria não está instalada correctamente.	Instale a bateria como descrito neste manual.
	A potência da bateria cai.	Recarregue o cartucho de bateria. Se recarregar a bateria não solucionar, substitua o cartucho de bateria.
	O sistema de accionamento não funciona correctamente.	Solicite o conserto num centro de assistência técnica autorizada local.
A ferramenta de corte não roda: desligue imediatamente a máquina!	Um objecto estranho, como um ramo, está enroscado perto da lâmina.	Remova o objecto estranho.
	O sistema de accionamento não funciona correctamente.	Solicite o conserto num centro de assistência técnica autorizada local.
Vibração anormal: desligue imediatamente a máquina!	A lâmina está desbalanceada, desgastada excessivamente ou de maneira desuniforme.	Substitua a lâmina.

014546

ACESSÓRIOS OPCIONAIS

PRECAUÇÃO:

Estes acessórios ou peças são recomendados para utilização com a ferramenta Makita especificada neste manual. A utilização de outros acessórios ou peças pode ser perigosa para as pessoas. Utilize apenas acessórios ou peças para os fins indicados.

Se precisar de ajuda para obter mais informações relativas a estes acessórios, entre em contacto com o centro de assistência Makita local.

- Lâmina
- Bateria e carregador originais Makita

NOTA:

Alguns itens da lista podem estar incluídos na embalagem da ferramenta como acessórios padrão. Eles podem variar de país para país.

ENG905-1

Ruído

O nível de ruído normal A pesado, determinado de acordo com 2000/14/CE:

Nível de pressão de som (L_{pA}): 81 dB (A)

Nível de potência sonora (L_{WA}): 93 dB (A)

Variabilidade (K): 3 dB (A)

Utilize protectores para os ouvidos

ENG900-1

Vibração

O valor total da vibração (soma vectorial tri-axial) determinado de acordo com EN60335:

Emissão de vibração (a_{h1}): 2,5 m/s² ou inferior

Variabilidade (K): 1,5 m/s²

- O valor da emissão de vibração indicado foi medido de acordo com o método de teste padrão e pode ser utilizado para comparar duas ferramentas.
- O valor da emissão de vibração indicado pode também ser utilizado na avaliação preliminar da exposição.

⚠ AVISO:

- A emissão de vibração durante a utilização real da ferramenta eléctrica pode diferir do valor de emissão indicado, dependendo das formas como a ferramenta é utilizada.
- Certifique-se de identificar as medidas de segurança para protecção do operador que sejam baseadas numa estimativa de exposição em condições reais de utilização (considerando todas as partes do ciclo de operação, tal como quando a ferramenta está desligada e quando está a funcionar em marcha lenta além do tempo de accionamento).

ENH223-1

Só para países Europeus

Declaração de conformidade CE

A Makita declara que a(s) seguinte(s) máquina(s):

Designação da ferramenta:

Cortadora de Grama a Bateria

Modelos n°/Tipo: DLM380

Especificações: consulte a tabela "ESPECIFICAÇÕES".

Em conformidade com as seguintes directivas europeias:

2000/14/CE, 2006/42/CE

São fabricadas de acordo com as seguintes normas ou documentos normalizados:

EN60335

O ficheiro técnico de acordo com a 2006/42/CE está disponível em:

Makita International Europe Ltd.

Departamento técnico,

Michigan Drive, Tongwell,

Milton Keynes, Bucks MK15 8JD, Inglaterra

Os procedimentos de avaliação da conformidade necessários no âmbito da Directiva 2000/14/CE foram efectuados de acordo com o anexo VI.

Organismo Notificado:

TÜV Rheinland LGA Products GmbH

Tillystraße 2

90431 Nürnberg, Alemanha

Número de identificação 0197

Nível de potência sonora medido: 93 dB (A)

Nível de potência sonora garantido: 94 dB (A)

1.10.2013



Tomoyasu Kato

Director

Makita Corporation

3-11-8, Sumiyoshi-cho,

Anjo, Aichi, 446-8502, JAPAN

Illustrationsoversigt

1 Låsearm til akku-dæksel	15 Nederste håndtag	29 Tømmer
2 Akku-dæksel	16 Fastspændingsskrue	30 Bladstøtte
3 Akku	17 Stram	31 Flad skive
4 Låsenøgle	18 Løsn	32 Fjederkive
5 Stjernemærke	19 Rille	33 Bolt
6 Akku-indikator	20 Øverste håndtag	34 Krog
7 Afbryderknop	21 Huller	35 Græskurv
8 Afbryderarm	22 Fastspændingsmøtrik	36 Håndtag
9 Justeringsarm til klippehøjde	23 Mellemlægsskive	37 Bagskærm
10 Stifter	24 Skrue	
11 Græshøjdeindikator	25 Holder	
12 Hul	26 Ledning	
13 Fremspring	27 Blad	
14 Drejepunkt	28 Nøgle	

SPECIFIKATIONER

Model		DLM380	
Klippebredde		380 mm	
Omdrejninger		3 700 min ⁻¹	
Mål (L x B x H)	under anvendelse	1 145 mm x 465 mm x 1 023 mm – 1 070 mm	
	under opbevaring	680 mm x 470 mm x 505 mm	
Mærkespænding		DC 36 V	
Standard-akku(er) ⚠ Advarsel: Brug kun den akku (akkuer), som er foreskrevet.		BL1815N	BL1830 / BL1840
Nettovægt		14,5 kg	15,0 kg

- På grund af vores kontinuerlige forskningsprogrammer og udvikling kan hosstående specifikationer blive ændret uden varsel.
- Specifikationer og akku kan variere fra land til land.
- Vægt inklusive akku, i henhold til EPTA-Procedure 01/2003

END016-5



- Gælder kun lande i EU
Undlad at bortskaffe elektrisk udstyr eller akku sammen med almindeligt husholdningsaffald.
I henhold til de europæiske direktiver angående udtjent elektrisk og elektronisk udstyr og akku og akkumulatorer og iværksættelse af bortskaffelse af udtjente akku og akkumulatorer i overensstemmelse med nationale love, skal elektrisk udstyr og batterier og akku, der har nået slutningen af deres levetid, indsamles separat og afhændes til en genbrugsfacilitet, som er miljømæssigt kompatibel.

GEB091-6

SYMBOLER

Nedenstående symboler er anvendt i forbindelse med denne maskine. Vær sikker på, at du har forstået symbolernes betydning, før maskinen anvendes.

- Udvis særlig forsigtighed og opmærksomhed.
- Læs brugsanvisningen.
- Fare: Vær opmærksom på flyvende genstande.
- Afstanden mellem maskinen og omkringstående skal være mindst 15 m.
- Anbring aldrig hænder og fødder i nærheden af bladet under plæneklipperen.
- Fjern låsenøglen, inden du inspicerer, justerer, rengør, servicerer, forlader og stiller plæneklipperen til opbevaring.

VIGTIGE SIKKERHEDSFORSKRIFTER

⚠ ADVARSEL! Læs alle sikkerhedsadvarsler og alle sikkerhedsinstruktioner. Hvis nedenstående advarsler og instruktioner ikke overholdes, kan resultatet blive elektrisk stød, brand og/eller alvorlig personskade.

Gem alle advarsler og instruktioner til fremtidig reference.

1. Sæt ikke nøglen i plæneklipperen, før den er klar til brug.

2. Denne maskine er ikke beregnet til at bruges af personer (i brug, børn) med nedsatte fysiske, sensoriske eller mentale evner eller manglende erfaring og kendskab, med mindre de er under opsyn eller har modtaget instruktion angående brug af maskinen af en person, som er ansvarlig for deres sikkerhed.
3. Børn bør være under opsyn for at sikre, at de ikke leger med maskinen.
4. Tillad aldrig, at børn eller personer, som ikke er bekendt med disse instruktioner, anvender maskinen. Operatørens alder kan være begrænset af lokale bestemmelser.
5. Anvend aldrig maskinen, hvis der er personer, specielt børn, eller kæledyr, i nærheden.
6. Husk at operatøren eller brugeren er ansvarlig for ulykker eller farlige situationer, som andre personer eller deres ejendom udsættes for.
7. Under anvendelse af maskinen skal man altid bruge solidt fodtøj og lange bukser. Anvend ikke maskinen med bare fødder eller åbne sandaler. Undgå at bære løst tøj eller smykker med løststående kæder eller slips. Disse kan sætte sig fast i de bevægelige dele.
8. Anvend kun maskinen i dagslys eller i god kunstig belysning.
9. Anvend ikke maskinen i vådt græs.
10. Plæneklipperen må aldrig anvendes i regnvejr.
11. Brug og vedligeholdelse af akku-værktøj
 - Må kun genoplades med den oplader, der er specificeret af fabrikanten. En oplader, som er velegnet til én type akku, kan udgøre en risiko for brand, hvis den anvendes med en anden akku.
 - Anvend kun el-værktøj med specifikt specificerede akkuer. Anvendelse af andre akkuer kan udgøre en risiko for tilskadekomst og brand.
 - Når akkuen ikke er i brug, skal den holdes væk fra andre metalgenstande, som f.eks. papirclips, mønter, søm, skruer og andre mindre metalgenstande, som kan udgøre en forbindelse fra en terminal til en anden. Kortslutning af akku-terminaler sammen kan medføre forbrændinger og/eller brand.
 - I misbrugstilfælde kan der sprøjte væske ud fra akkuen. Undgå kontakt. Skyl med vand, hvis der ved et uheld skulle opstå kontakt. Hvis du har fået væske i øjnene, skal du straks søge lægehjælp. Væske fra akkuen kan forårsage irritation og forbrændinger.
12. Hold altid godt fast i håndtaget.
13. Sørg altid for et godt fodfæste på skråninger.
14. Gå, løb aldrig.
15. Tag ikke fat i de blottagte skæreblade eller skærekanten, når maskinen løftes eller holdes.
16. Fysisk tilstand — anvend ikke plæneklipperen under indflydelse af medicamenter, alkohol eller nogen former for medicin.
17. Hold dækslerne på plads og i god funktionsstand.
18. Hold hænder og fødder på god afstand af de roterende blade. Forsigtig — bladene vedbliver at dreje rundt, efter at de er slukket.
19. Fjern nøglen inden servicering, rengøring eller fjernelse af materiale fra plæneklipperen.
20. Anvend kun originale blade fra fabrikanten, som er specificeret i denne brugsanvisning.
21. Inspicér omhyggeligt bladene for revner og beskadigede inden brugen. Revnede eller beskadigede blade skal straks skiftes ud.
22. Sørg for, at der ikke er nogen personer i arbejdsområdet, inden arbejdet påbegyndes. Stop plæneklipperen, hvis der kommer nogen ind i området.
23. Fjern fremmedlegemer såsom sten, ståltråd, flasker, ben eller store kæppe fra arbejdsområdet inden klipningen, således at tilskadekomst og skade på plæneklipperen undgås.
24. Hold straks op med at bruge maskinen, hvis noget usædvanligt opdaget. Sluk for plæneklipperen og tag nøglen ud af maskinen. Inspicér derefter plæneklipperen.
25. Forsøg aldrig at foretage indstillinger af højden, mens plæneklipperen er i gang.
26. Frigør afbryderarmen og vent til bladrotationen er stoppet, inden der køres over indkørsler, stier, veje og grusbelagte områder. Fjern ligeledes nøglen, hvis du forlader maskinen, rækker ud for at samle noget op eller for at få det af vejen, eller af andre årsager, der kan distrahere dig fra det, du er i gang med.
27. Genstande, der rammes af plæneklipperens blad, kan være årsag til alvorlig tilskadekomst. Plænen bør altid undersøges omhyggeligt og alle genstande skal fjernes inden hver plæneklipping.
28. Hvis plæneklipperen rammer et fremmedlegeme, skal nedenstående trin følges:
 - Stop plæneklipperen, frigør afbryderarmen og vent, indtil bladene er helt standset.
 - Fjern låsenøglen og akkuen.
 - Inspicér plæneklipperen grundigt for beskadigelse.
 - Skift bladet ud, hvis det på nogen måde er beskadiget.
 Reparer enhver skade, inden du igen starter plæneklipperen og fortsætter med at anvende den.
29. Kontroller bagsækken hyppigt for slitage og forringelse. Ved opbevaring skal man altid sørge for, at bagsækken er tom. Af sikkerhedsårsager skal man skifte en slidt sæk ud med en ny sæk fra fabrikken.
30. Stop motoren og fjern nøglen, hver gang du forlader udstyret, inden plæneklipperhuset rengøres, og inden reparationer eller inspektioner udføres.
31. Vær yderst forsigtig, når du bakker eller trækker maskinen mod dig.
32. Stop bladet (bladene), hvis maskinen skal vippe i transportøjemed, når andre overflader end græs krydses, og når maskinen transporteres til og fra det område, hvor den skal anvendes.
33. Anvend aldrig maskinen med defekte dæksler eller skjold eller uden sikkerhedsanordninger, f.eks. deflektor og/eller græsopsamler, på plads.
34. Vær påpasselig med at afbryde motoren i overensstemmelse med instruktionerne og med fødderne på god afstand af bladet (bladene).

35. Vip ikke maskinen, når du tænder for motoren, undtagen hvis maskinen skal vippes for at starte den. I dette tilfælde må den ikke vippes mere end absolut nødvendigt og kun den del, der vender væk fra operatøren, må vippes.
36. Start ikke maskinen, mens du står foran udlædningsåbningen.
37. Anbring ikke hænder og fødder i nærheden af eller under de roterende dele. Hold dig til enhver tid på god afstand af udlædningsåbningen.
38. Transporter ikke maskinen, mens der er tændt for den.
39. Stop maskinen og fjern den obstruerende ting. Sørg for, at alle de bevægelige dele er helt stoppede
 - når du forlader maskinen,
 - inden rengøring af tilstopninger eller rensning af rende,
 - inden inspektion, rengøring eller arbejde på maskinen,
 - efter at maskinen har ramt et fremmedlegeme. Inspicér maskinen for beskadigelser og udfør reparationer, inden du igen starter og anvender maskinen;
40. Hvis maskinen begynder at vibrere unormalt (kontroller straks)
 - inspicér for beskadigelse,
 - udskift eller reparer alle beskadigede dele,
 - kontroller, om der er løse dele og stram dem i så fald.
41. Vær påpasselig, når maskinen justeres, således at du ikke får fingrene i klemme mellem maskinens roterende blade og dens faste dele.
42. Kør plæneklipperen tværs over fladen på skråninger, aldrig op og ned ad dem. Udvis den største forsigtighed, når du skifter retning på en skråning. Anvend ikke plæneklipperen på meget stejle skråninger.
43. Skyl ikke maskinen med en vandslange. Undgå at der kommer vand ind i motoren og de elektriske tilslutninger.
44. Kontroller med jævne mellemrum bladets befæstelsesbolt for den rigtige stramning.
45. Hold alle møtrikker, bolte og skruer stramme for at sikre, at udstyret er i sikker funktionsstand.
46. Lad altid maskinen køle af, inden den stilles til opbevaring.
47. Når du servicerer bladene, skal du være klar over, at bladene stadig kan bevæge sig, selv om der er slukket for maskinen.
48. Skift ad sikkerhedsårsager slidte eller beskadigede dele ud med nye. Anvend kun originale udskiftningsdele og originalt tilbehør.

GEM DENNE BRUGSANVISNING.

⚠ ADVARSEL:

LAD IKKE bekvemmelighed eller kendskab til produktet (opnået gennem gentagen brug) forhindre, at sikkerhedsforskrifterne for produktet nøje overholdes. MISBRUG eller forsømmelse af at følge de i denne brugsvejledning givne sikkerhedsforskrifter kan føre til, at du kommer alvorligt til skade.

VIGTIGE SIKKERHEDSFORSKRIFTER

FOR AKKU

1. Læs alle instruktioner og advarselmærkater på (1) akku opladeren, (2) akku og (3) produktet, som anvender akku.
2. Lad være med at skille akkuen ad.
3. Hold straks op med at anvende opladeren, hvis brugstiden er blevet stærkt afkortet. Fortsat anvendelse kan resultere i risiko for overophedning, forbrændinger og endog eksplosion.
4. Hvis du har fået elektrolytvæske i øjnene, skal du straks skylle den ud med rent vand og derefter øjeblikkeligt søge lægehjælp. I modsat fald kan resultatet blive, at du mister synet.
5. Vær påpasselig med ikke at komme til at kortslutte akkuen:
 - (1) Lad ikke terminalerne komme i kontakt med noget ledende materiale.
 - (2) Undgå at opbevare akkuen i en beholder sammen med andre metalgenstande som f.eks. søm, mønter etc.
 - (3) Udsæt ikke akkuen for vand eller regn. Kortslutning af akkuen kan være årsag til en kraftig øgning af strømmen, overophedning, mulige forbrændinger og endog maskinstop.
6. Opbevar ikke værktøj og akkuen på et sted, hvor temperaturen kan nå eller overstige 50°C.
7. Lad være med at brænde akkuen, selv ikke i tilfælde, hvor den har lidt alvorlig skade eller er fuldstændig udtjent. Akkuen kan eksplodere, hvis man forsøger at brænde den.
8. Lad være med at brænde akkuen eller udsætte den for stød.
9. Anvend ikke en beskadiget akku.
10. Følg de lokale regler for bortskaffelse af akkuer.

GEM DENNE BRUGSANVISNING.

Tips til opnåelse af maksimal akku-levetid

1. Oplad altid akkuen, inden den er helt afladet. Stop altid maskinen og oplad akkuen, hvis det registreres at maskineffekten er dalende.
2. Genoplad aldrig en fuldt opladet akku. Overopladning vil afkorte akkuens levetid.
3. Oplad akkuen ved stuetemperatur ved 10°C – 40°C. Lad altid en varm akku få tid til at køle af, inden den oplades.
4. Oplad akkuen en gang hver sjette måned, hvis den ikke anvendes i et længere tidsrum.

FUNKTIONSBESKRIVELSE

Isætning og udtagning af akku

⚠ FORSIGTIG:

- Sluk altid for maskinen, før akkuen installeres eller tages ud.
- Sørg for at akku-dækslet er låst inden brugen. Ellers kan mudder, snavs eller vand øve skade på produktet eller akkuen.

- Installer altid akkuen helt, så den røde indikator ikke kan ses. Hvis dette ikke gøres, kan den falde ud af maskinen og du selv eller omkringstående personer kan komme til skade.
- Installer ikke akkuen med magt. Hvis akkuen ikke glider nemt ind, betyder det, at den ikke sættes korrekt ind.

BEMÆRK:

• Maskinen fungerer ikke med kun én akku.

Installation af akkuen:

1. Træk låsearmen til akku-dækslet mod dig og åbn akku-dækslet. (Fig. 1)
2. For at installere akkuen skal man sætte tungen på akkuen ud for rillen i huset og lade den glide på plads. Sæt den helt ind, indtil den låses på plads med et lille klik. Hvis den røde indikator på oversiden af knappen er synlig, betyder det, at den ikke er helt låst. (Fig. 2)
3. Sæt låsenøglen så langt den kan komme ind i det sted, der vises på illustrationen. (Fig. 3)
4. Luk akku-dækslet og tryk på det, så det går i indgreb med låsearmen.

Fjernelse af akkuen fra plæneklipperen:

1. Træk låsearmen til akku-dækslet mod dig og åbn akku-dækslet.
2. Skyd den ud af maskinen, mens du skyder knappen på forsiden af akkuen i stilling.
3. Træk låsenøglen ud.
4. Luk akku-dækslet.

Akkus beskyttelsessystem

Maskinen er udstyret med et maskin-/akku-beskyttelsessystem. Dette system afbryder automatisk strømmen til motoren, således at maskinens og akkuens levetid forlænges.

Maskinen stopper automatisk under anvendelsen, hvis den eller akkuen kommer i en af de følgende tilstande. Under visse forhold vil indikatorerne begynde at lyse.

Overbelastningsbeskyttelse

Hvis maskinen anvendes på en måde, der bevirker, at den forbruger unormalt meget strøm, vil maskinen stoppe uden nogen indikering. I denne situation skal man slukke for maskinen og stoppe den anvendelse, som var årsag til at maskinen blev overbelastet. Tænd derefter for maskinen for at starte den igen.

Overophedningsbeskyttelse

Hvis maskinen eller akkuen er overophedet, vil maskinen automatisk stoppe uden nogen indikeringer. Maskinen starter ikke, selv hvis man tænder for den. I denne situation skal man lade maskinen eller akkuen køle af, inden man igen tænder for maskinen.

BEMÆRK:

- Akku-overophedningsbeskyttelsen fungerer kun med en akku med stjernemærke. Maskinens overophedningsbeskyttelse fungerer med en hvilken som helst akku. (Fig. 4)

Overfladningsbeskyttelse (Fig. 5)

Når den tilbageværende akku-kapacitet er blevet lav, blinker akku-indikatoren på den anvendte akku-side. I tilfælde af yderligere anvendelse vil maskinen stoppe og akku-indikatoren lyse i omkring 10 sekunder. Oplad akkuen, når dette sker.

Anvendelse af afbryder

⚠ ADVARSEL:

- Inden akkuen installeres i maskinen, skal man altid kontrollere, at afbryderarmen fungerer som den skal og returnerer til udgangsstillingen, når den slippes. Anvendelse af en maskine med en afbryder, der ikke fungerer ordentligt, kan føre til at man mister herredømmet over maskinen med alvorlig tilskadekomst som resultat.

BEMÆRK:

- Forsøg på at klippe meget græs ad gangen kan bevirke, at motoren ikke starter på grund af overbelastning. Ændr i så tilfælde klippehøjden til en større højde for at starte igen.
- Plæneklipperen starter ikke uden at man trykker på afbryderknappen, selv hvis afbryderarmen trækkes.

Denne plæneklipper er udstyret med en blokeringsomskifter og en håndtagsknap. Hvis du bemærker noget usædvanligt med en af disse knapper, skal du straks stoppe anvendelsen og få dem efterset hos nærmeste, autoriserede Makita Service Center.

1. Installer akkuerne. Sæt låsenøglen ind i blokeringsknappen og luk derefter akku-dækslet. (Fig. 3)
2. Tryk på afbryderknappen.
3. Træk afbryderarmen mod dig, idet du trykker på afbryderknappen.
4. Frigør afbryderknappen, så snart motoren begynder at køre. Plæneklipperen vil fortsætte med at køre, indtil du slipper afbryderarmen. (Fig. 6)
5. Frigør afbryderarmen for at stoppe motoren.
6. Når plæneklipperen ikke bruges, skal låsenøglen fjernes. Opbevar låsenøglen på et sikkert sted, hvor børn ikke kan få fat i den.

Indstilling af klippehøjden (Fig. 7)

⚠ ADVARSEL:

- Stik aldrig en hånd eller et ben ind under plæneklipperen, når du indstiller klippehøjden.
- Sørg altid for, at armen passer ordentligt ind i rillen inden brugen.

Klippehøjden kan indstilles inden for et område mellem 25 mm – 75 mm.

1. Fjern låsenøglen.
2. Træk justeringsarmen til klippehøjde mod A-siden. Flyt den til den ønskede klippehøjde. Sørg for at stifterne på justeringsarmen til klippehøjde passer ind i hullerne og at armen returnerer til B-siden.

BEMÆRK:

- Tallene for klippehøjden bør kun anvendes som rettesnor, da plænen eller jordens tilstand kan bevirke, at plænen højde er en smule anderledes end den indstillede højde.
- Udfør en testklipning på et mindre iøjnefaldende sted for at opnå den ønskede højde.
- Det er nemmere at flytte justeringsarmen til klippehøjde, hvis man holder godt fast i maskinen. (Fig. 8)

Græshøjdeindikator (Fig. 9)

Græshøjdeindikatoren viser mængden af det klippede græs.

- Hvis græskurven ikke er fuld, vil indikatoren bevæge sig under klipningen.

- Hvis græskurven er fuld, vil indikatoren ikke bevæge sig under klipningen. Hold i dette tilfælde straks op med at klippe græsset og tøm kurven. Efter at kurven er tømt, skal man rengøre den, således at luften kan slippe ud gennem dens net.

BEMÆRK:

- Denne indikator er en omtrentlig retningslinje. Det er ikke sikkert, at denne indikator fungerer korrekt, det afhænger af tilstanden af kurvens inderside.

SAMLING

⚠ ADVARSEL:

- **Vær altid sikker på, at låsenøglen og akkuen er fjernet, inden du udfører noget arbejde på plæneklipperen.** Forsømmelse af at fjerne låsenøglen og akkuen kan resultere i alvorlig tilskadekomst forårsaget af utilsigtet start.
- **Start aldrig maskinen med mindre den er fuldstændig samlet.** Anvendelse af maskinen i kun delvist samlet tilstand kan resultere i alvorlig tilskadekomst forårsaget af utilsigtet start.

Montering af akku-dækslet

⚠ ADVARSEL:

- Sæt ikke låsenøglen og akkuen i, inden akku-dækslet er sat på. Forsømmelse af dette kan føre til alvorlig tilskadekomst.

Monter akku-dækslet helt, inden maskinen tages i brug, for at beskytte maskinen og akkuen mod mudder, snavs og vand.

1. Anbring akku-dækslet på maskinen ved at sætte fremspringene på maskinen og hullerne i akkuen ud for hinanden. (Fig. 10)
2. Anbring hænderne midt på akkuen og tryk den ned. (Fig. 11)
3. Kontroller, inden den første anvendelse, at akku-dækslets drejepunkt er ordentligt samlet. For at kontrollere dette, skal du trække akku-dækslets låsearm mod dig og åbne akku-dækslet. (Fig. 12)

Montering af håndtaget (Fig. 13, 14 og 15)

⚠ ADVARSEL:

- Når der monteres håndtag, skal ledningerne placeres således, at de ikke sætter sig fast i noget mellem håndtagene.
1. Løsn fastspændingsskruerne (to stk.).
 2. Forlæng det nederste håndtag til begge sider og drej med det forlænget i denne stilling bagud og sæt det derefter ind i rillen i klippeskiven.
 3. Stram fastspændingsskruerne på begge sider for at fastgøre det nederste håndtag.
 4. Hæv det øverste håndtag og sæt skruerhullerne i det øverste håndtag ud for hullerne i det nederste håndtag. Fastgør dem med de medfølgende skruer, mellemlægs-skiver og spændemøtrikker.

BEMÆRK:

- Tag på dette tidspunkt godt fat i det øverste håndtag, så det ikke glider ud af hånden på dig.

BEMÆRK:

- Monter det øverste håndtag således, at retningen af det øverste håndtag og strømforsyningsledningen er placeret som vist på illustrationen. (Fig. 16)

Afmontering og montering af bladet (Fig. 17 og 18)

⚠ ADVARSEL:

- Fjern altid låsenøglen og akkuen, når bladet afmonteres og monteres. Forsømmelse af at fjerne låsenøglen og akkuen kan føre til alvorlig tilskadekomst.
 - Bladet drejer rundt i et par sekunder, efter at afbryderen er frigjort. Kontroller, at bladet er helt stoppet.
 - Brug altid handsker, når du håndterer bladet.
1. Læg plæneklipperen på siden, så justeringsarmen til klippehøjden er placeret på oversiden.
 2. For at låse bladet sættes et stykke tømmer eller lignende ind i plæneklipperen.
 3. Løsn bolten i retningen mod uret med topnøglen.
 4. Fjern bolten, fjederskiven, den flade skive og bladet i denne rækkefølge.

For at installere bladet skal man udføre proceduren for afmontering af bladet i modsat rækkefølge.

⚠ ADVARSEL:

- Monter bladet med forsigtighed, da det har en top/bund flade.
- Stram bolten godt til i retningen med uret for at fastgøre bladet.
- Anbring bladet således, at bladsiden med rotationsretningsspielen vender udad.
- Sørg for, at bladet er ordentligt monteret.

Montering af græskurven (Fig. 19 og 20)

Fjern låsenøglen.

Hæv bagskærmen på klippeenheden.

Sæt græskurven på plæneklipperens rille.

ANVENDELSE

Klipning

⚠ ADVARSEL:

- Fjern grene og sten fra klippingsområdet inden klipningen. Fjern desuden i forvejen alt ukrudt fra klippingsområdet.
- Bær altid beskyttelsesbriller eller sikkerhedsbriller med sideafskærmning, når du anvender plæneklipperen.

Hold godt fast i plæneklipperens håndtag med begge hænder, når du klipper græs.

Bredden mellem midten af forhjulene viser retningslinjen for klippeområdet. For ensartet klipning skal man overlape klippeområdet delvist i forhold til det foregående, klippede område.

Kontroller med jævne mellemrum mængden i græskurven og tøm den, inden den bliver fuld. Inden hver periodisk kontrol skal du sørge for at stoppe plæneklipperen og fjerne låsenøglen og akkuen.

BEMÆRK:

- Hvis plæneklipperen anvendes med græskurven fuld, kan der ikke opnås problemfri rotation af bladet og motoren udsættes for ekstra belastning, hvilket kan føre til maskinsammenbrud.

Klipning af en plæne med højt græs (Fig. 21)

Forsøg ikke at klippe langt græs i en enkelt arbejdsgang. Klip i stedet for plænen i etaper ved at holde en pause på en dag eller to mellem klipningerne, indtil plænen er ensartet kort.

BEMÆRK:

- Klipning af højt græs til en kort længde i en enkelt arbejdsgang kan bevirke, at græsset dør og/eller blokerer hovedenhedens indre.

Tømning af græskurven (Fig. 22)

⚠ ADVARSEL:

- For at reducere risikoen for ulykker skal man med jævne mellemrum efterse græskurven for beskadigelse eller forringet styrke og om nødvendigt skifte den ud.

1. Frigør afbryderarmen.
2. Fjern låsenøglen.
3. Åbn bagskærmen og tag græskurven ud sammen med dens håndtag.
4. Tøm græskurven.

VEDLIGEHODELSE OG OPBEVARING

⚠ ADVARSEL:

- Vær altid sikker på, at låsenøglen og akkuen er fjernet fra plæneklipperen, inden den stilles til opbevaring eller inden man udfører inspektion eller vedligeholdelse.
- Bær altid handsker under udførelse af inspektion eller vedligeholdelse.

⚠ FORSIGTIG:

- Anvend aldrig benzin, rensebenzin, fortynder, alkohol og lignende. Resultatet kan blive misfarvning, deformation eller revner.

VEDLIGEHODELSE

1. FJERN LÅSENØGLEN. Anbring den på et sikkert sted, hvor børn ikke kan få fat i den.
2. Rengør kun plæneklipperen med mild sæbe og en fugtig klud. Lad være med at sprøjte eller hælde vand på plæneklipperen, når den rengøres.
3. Læg plæneklipperen på siden og fjern græsafklip, der har samlet sig på undersiden af klippeskiven.
4. Kontroller at alle møtrikker, bolte, knapper, skruer, fastgøringsanordninger, etc. er strammet.
5. Inspicér de bevægende dele for skade, brud og slitage. Få beskadigede dele repareret og manglende dele erstattet.
6. Fjern akkuen fra plæneklipperen, inden den stilles til opbevaring.
7. Opbevar plæneklipperen indendørs på et køligt, tørt og aflåst sted. Opbevar ikke plæneklipperen og opladeren på steder, hvor temperaturen kan komme op på eller overstige 40°C.

Opbevaring (Fig. 23, 24 og 25)

⚠ ADVARSEL:

- Når man bærer eller opbevarer plæneklipperen, skal man holde både i håndtaget og i det forreste greb på plæneklipperen. Hvis man kun holder i håndtagene, kan det føre til alvorlig tilskadekomst og beskadigelse af plæneklipperen.

1. Løsn fastspændingsskruen, forlæng det nederste håndtag til begge sider og flyt derefter håndtaget ned og fremefter. Hold på dette tidspunkt godt fast i det forreste greb, så det ikke falder ned til den fjerne side fra maskinen.
2. Løsn fastspændingsmøtrikken og drej det øverste håndtag tilbage.

For at opretholde produktets SIKKERHED og PÅLIDELIGHED bør reparation, vedligeholdelse og justering kun udføres af et Makita Service Center med anvendelse af original Makita udskiftingsdele.

FEJLFINDING

Udfør selv en inspektion, inden du beder om reparation. Hvis du opdager et problem, som ikke er forklaret i brugsanvisningen, må du ikke forsøge at adskille maskinen. Rådfør dig i stedet med et autoriseret Makita Service Center og brug altid originale Makita udskiftningsdele til reparationer.

Fejlfunktionsstatus	Årsag	Udbedring
Plæneklipperen starter ikke.	Der er ikke installeret to akkuer.	Installer de opladte akkuer.
	Akku-problem (underspænding)	Genoplad akkuen. Hvis genopladningen ikke er effektiv, skal akkuen skiftes ud.
	Låsenøglen er ikke sat i.	Sæt låsenøglen i.
Motoren stopper efter kort tids brug.	Akkuens ladeniveau er lavt.	Genoplad akkuen. Hvis genopladningen ikke er effektiv, skal akkuen skiftes ud.
	Klippehøjden er for lavt indstillet.	Øg højden.
Max. RPM (omdr. pr. min.) nås ikke.	Akkuen er ikke sat ordentligt i.	Installér akkuen som beskrevet i denne brugsanvisning.
	Akkuens effekt mindskes.	Genoplad akkuen. Hvis genopladningen ikke er effektiv, skal akkuen skiftes ud.
	Drivsystemet fungerer ikke korrekt.	Få et lokalt, autoriseret servicecenter til at reparere det.
Klippedelen roterer ikke: stop øjeblikkeligt maskinen!	Et fremmedlegeme såsom en gren har sat sig fast i nærheden af bladet.	Fjern fremmedlegemet.
	Drivsystemet fungerer ikke korrekt.	Få et lokalt, autoriseret servicecenter til at reparere det.
Unormal vibration: stop øjeblikkeligt maskinen!	Bladet er ubalanceret, ekstremt eller uensartet slidt.	Skift bladet ud med et nyt.

014546

EKSTRAUDSTYR

ENG900-1

⚠ FORSIGTIG:

- Det følgende tilbehør og ekstraudstyr er anbefalet til brug med din Makita maskine, der er beskrevet i denne brugsanvisning. Anvendelse af andet tilbehør eller ekstraudstyr kan udgøre en risiko for personskade. Anvend kun tilbehør og ekstraudstyr til det beskrevne formål.

Hvis du har behov for yderligere detaljer om dette tilbehør, bedes du kontakte dit lokale Makita Service Center.

- Blad
- Original Makita akku og oplader

BEMÆRK:

- Nogle ting på denne liste kan være inkluderet i værktøjspakken som standardtilbehør. Det kan være forskelligt fra land til land.

ENG905-1

Lyd

Det typiske A-vægtede støjniveau bestemt i overensstemmelse med 2000/14/EU:

Lydtrykniveau (L_{pA}): 81 dB (A)
Lydeffektniveau (L_{WA}): 93 dB (A)
Usikkerhed (K): 3 dB (A)

Bær høreværn

Vibration

Vibrations totalværdi (tre-aksial vektorsum) bestemt i overensstemmelse med EN60335:

Vibrationsafgivelse (a_{h1}): 2,5 m/s² eller mindre
Usikkerhed (K): 1,5 m/s²

ENG901-1

- Den angivne vibrationsemissionsværdi er blevet målt i overensstemmelse med standardtestmetoden og kan anvendes til at sammenligne en maskine med en anden.
- Den angivne vibrationsemissionsværdi kan også anvendes i en preliminær eksponeringsvurdering.

⚠ ADVARSEL:

- Vibrationsemissionen under den faktiske anvendelse af maskinen kan være forskellig fra den erklærede emissionsværdi, afhængigt af den måde, hvorpå maskinen anvendes.
- Sørg for at identificere de sikkerhedsforskrifter til beskyttelse af operatøren, som er baseret på en vurdering af eksponering under de faktiske brugsforhold (med hensyntagen til alle dele i brugscyklen, som f.eks. de gange, hvor maskinen er slukket og når den kører i tomgang i tilgift til afbrydertiden).

Kun for lande i Europa

EU-konformitetserklæring

Makita erklærer, at den følgende maskine (maskiner):

Maskinens betegnelse:

Akku-plæneklipper

Model nr./Type: DLM380

Specifikationer: Se oversigten "SPECIFIKATIONER"

opfylder betingelserne i de følgende EU-direktiver:

2000/14/EU, 2006/42/EU

De er fremstillet i overensstemmelse med den følgende standard eller standardiserede dokumenter:

EN60335

Den tekniske fil er i overensstemmelse med 2006/42/EU og tilgængelig fra:

Makita International Europe Ltd.

Teknisk Afdeling,

Michigan Drive, Tongwell,

Milton Keynes, Bucks MK15 8JD, England

Den procedure for konformitetsfastsættelse, som kræves i Direktiv 2000/14/EU, er fundet i overensstemmelse med tillæg VI.

Notificeret organisation:

TÜV Rheinland LGA Products GmbH

Tillystraße 2

90431 Nürnberg, Tyskland

Identifikationsnummer 0197

Målt lydbelastningsniveau: 93 dB (A)

Garanteret lydbelastningsniveau: 94 dB (A)

1.10.2013



Tomoyasu Kato

Direktør

Makita Corporation

3-11-8, Sumiyoshi-cho,

Anjo, Aichi, 446-8502, JAPAN

Περιγραφή γενικής άποψης

1	Μοχλός ασφάλισης καλύμματος μπαταρίας	13	Προεξοχή	26	Καλώδιο
2	Κάλυμμα μπαταρίας	14	Σημείο περιστροφής	27	Λάμα
3	Κασέτα μπαταρίας	15	Κάτω λαβή	28	Κλειδί
4	Κλειδί ασφάλισης	16	Βίδα σύσφιξης	29	Ξύλο
5	Ένδειξη αστεριού	17	Σφιξίτε	30	Στήριξη λεπίδας
6	Ένδειξη μπαταρίας	18	Ξεσφίξτε	31	Επίπεδη ροδέλα
7	Κουμπί διακόπτης	19	Εγκοπή	32	Γκρόβερ
8	Μοχλός διακόπτης	20	Άνω λαβή	33	Μπουλόνι
9	Μοχλός ρύθμισης ύψους κοπής	21	Οπές	34	Γάντζος
10	Πείροι	22	Παξιμάδι σύσφιξης	35	Καλάθι γρασιδιού
11	Ένδειξη στάθμης γρασιδιού	23	Κυρτή ροδέλα	36	Λαβή
12	Οπή	24	Βίδα	37	Πίσω προστατευτικό
		25	Υποδοχέας		

ΤΕΧΝΙΚΑ ΧΑΡΑΚΤΗΡΙΣΤΙΚΑ

Μοντέλο		DLM380	
Πλάτος κοπής		380 χιλ	
Στροφές ρελαντί		3.700 λεπ ⁻¹	
Διαστάσεις (Μ x Π x Υ)	κατά τη λειτουργία	1.145 χιλ x 465 χιλ x 1.023 χιλ – 1.070 χιλ	
	κατά την αποθήκευση	680 χιλ x 470 χιλ x 505 χιλ	
Έξοδος		D.C. 36 V	
Στάνταρ κασέτες μπαταριών ⚠ Προειδοποίηση: Χρησιμοποιήστε μόνο τις κασέτες μπαταριών που περιγράφονται.		BL1815N	BL1830 / BL1840
Καθαρό Βάρος		14,5 κιλά	15,0 κιλά

- Λόγω του συνεχιζόμενου προγράμματος έρευνας και ανάπτυξης, οι παρούσες προδιαγραφές υπόκεινται σε αλλαγή χωρίς προειδοποίηση.
- Τα τεχνικά χαρακτηριστικά και η κασέτα μπαταρίας μπορεί να διαφέρουν από χώρα σε χώρα.
- Βάρος, με κασέτα μπαταρίας, σύμφωνα με τη διαδικασία EPTA 01/2003



END016-5



- Βγάλτε το κλειδί ασφάλισης πριν εκτελέσετε εργασίες επιθεώρησης, ρύθμισης, καθαρισμού και σέρβις στη μηχανή γκαζόν και πριν απομακρυνθείτε από τη μηχανή γκαζόν ή την αποθηκεύσετε.
- Μόνο για χώρες EE
Μην απορρίπτετε ηλεκτρικό εξοπλισμό ή μπαταρίες μαζί με τα οικιακά απόβλητα!
Σύμφωνα με τις Ευρωπαϊκές Οδηγίες για τον απόβλητο ηλεκτρικό και ηλεκτρονικό εξοπλισμό και τις μπαταρίες και συσσωρευτές και τις απόβλητες μπαταρίες και συσσωρευτές και την ενσωμάτωσή τους σύμφωνα με την εθνική νομοθεσία, ο ηλεκτρικός εξοπλισμός και η μπαταρία και τα πακέτα μπαταριών που έχουν φτάσει το τέλος ζωής τους πρέπει να συλλέγονται ξεχωριστά και να επιστρέφονται σε εγκαταστάσεις περιβαλλοντικά συμβατής ανακύκλωσης.

GEB091-6

ΣΥΜΒΟΛΑ

Τα ακόλουθα δείχνουν τα σύμβολα που χρησιμοποιούνται για το μηχάνημα. Βεβαιωθείτε ότι καταλαβαίνετε τη σημασία τους πριν από τη χρήση.

- ⚠ • Απαιτούνται ιδιαίτερη φροντίδα και προσοχή.
- 📖 • Διαβάστε τις οδηγίες χρήσης.
- ⚠ • Κίνδυνος. Να προσέχετε για εκτοξευόμενα αντικείμενα.
- 👤 • Η απόσταση ανάμεσα στο εργαλείο και τους παρεννοκείμενους πρέπει να είναι τουλάχιστον 15 μέτρα.
- ⚠ • Μη βάζετε ποτέ τα χέρια ή τα πόδια σας κοντά στη λάμα κάτω από τη μηχανή γκαζόν.

ΣΗΜΑΝΤΙΚΕΣ ΟΔΗΓΙΕΣ ΑΣΦΑΛΕΙΑΣ

⚠ **ΠΡΟΕΙΔΟΠΟΙΗΣΗ!** Διαβάστε όλες τις προειδοποιήσεις ασφαλείας και όλες τις οδηγίες. Η μη τήρηση των προειδοποιήσεων και οδηγιών ενδέχεται να καταλήξει σε ηλεκτροπληξία, πυρκαγιά ή/και σοβαρό τραυματισμό.

Φυλάξτε όλες τις προειδοποιήσεις και τις οδηγίες για μελλοντική παραπομπή.

1. Μην εισάγετε το κλειδί στη μηχανή γκαζόν μέχρι να είναι έτοιμη για χρήση.
2. Η συσκευή αυτή δεν προορίζεται για χρήση από οποιοδήποτε άτομο (περιλαμβανομένων των παιδιών) με μειωμένες σωματικές, αισθητήριες ή διανοητικές ικανότητες, ή από άτομο που δεν έχει πείρα και γνώσεις, εκτός αν επιτηρείται ή αν του έχουν δοθεί οδηγίες για τη χρήση της συσκευής από άτομο το οποίο είναι υπεύθυνο για την ασφάλειά του.
3. Τα παιδιά θα πρέπει να επιτηρούνται για να εξασφαλιστεί ότι δεν παίζουν με τη συσκευή.
4. Μην αφήνετε ποτέ παιδιά ή άτομα που δεν γνωρίζουν αυτές τις οδηγίες να χρησιμοποιούν τη μηχανή. Μπορεί να υπάρχει περιορισμός ηλικίας για το χειριστή βάσει τοπικών κανονισμών.
5. Μη χειρίζεστε ποτέ τη μηχανή όταν άλλα άτομα, ειδικά παιδιά ή κατοικίδια, βρίσκονται σε κοντινή απόσταση.
6. Να θυμάστε ότι ο χειριστής ή ο χρήστης είναι υπεύθυνος για ατυχήματα και μικρού παντελόνι. Μη υφίστανται άλλα άτομα ή η ιδιοκτησία τους.
7. Κατά το χειρισμό της μηχανής να φοράτε πάντα κατάλληλα υποδήματα και μακρού παντελόνι. Μη χειρίζεστε το μηχανήμα ξυπόλυτοι ή με ανοικτά σαντάλια. Αποφεύγετε να φοράτε ρούχα ή κοσμήματα που είναι χαλαρά ή έχουν κορδόνια ή σκοινιά που κρέμονται. Μπορεί να πιαστούν στα κινούμενα μέρη.
8. Να χειρίζεστε τη μηχανή μόνο όταν έχει ακόμα φως έξω ή με καλό τεχνητό φωτισμό.
9. Αποφεύγετε το χειρισμό της μηχανής σε βρεγμένο γκαζόν.
10. Μη χειρίζεστε ποτέ τη μηχανή γκαζόν στη βροχή.
11. Χρήση και φροντίδα εργαλείου με μπαταρία
 - Να επαναφορτίζετε την μπαταρία μόνο με το φορτιστή που καθορίζεται από τον κατασκευαστή. Ένας φορτιστής που είναι κατάλληλος για μια συγκεκριμένη κασέτα μπαταριών μπορεί να δημιουργήσει κίνδυνο πυρκαγιάς όταν χρησιμοποιείται με μια άλλη κασέτα μπαταριών.
 - Χρησιμοποιείτε ηλεκτρικά εργαλεία μόνο με ειδικά καθορισμένες κασέτες μπαταριών. Η χρήση οποιασδήποτε άλλης κασέτας μπαταριών μπορεί να δημιουργήσει κίνδυνο τραυματισμού ή πυρκαγιάς.
 - Όταν δεν χρησιμοποιείται η κασέτα μπαταριών, διατηρήστε τη μακριά από άλλα μεταλλικά αντικείμενα, όπως συνδετήρες, κέρματα, κλειδιά, καρφιά, βίδες ή άλλα μικρά μεταλλικά αντικείμενα, με τα οποία μπορεί να δημιουργηθεί σύνδεση από τον έναν ακροδέκτη στον άλλον. Το βραχυκύκλωμα των ακροδεκτών της μπαταρίας μπορεί να προκαλέσει εγκαύματα ή πυρκαγιά.
 - Υπό συνθήκες κατάχρησης, μπορεί να εξαχθεί υγρό από την μπαταρία. Αποφεύγετε την επαφή. Αν συμβεί επαφή κατά λάθος, εκπλύνετε με νερό. Αν το υγρό έρθει σε επαφή με τα μάτια, αναζητήστε ιατρική βοήθεια. Το υγρό που εξάγεται από την μπαταρία μπορεί να προκαλέσει ερεθισμό ή εγκαύματα.

12. Να κρατάτε πάντα τη λαβή σταθερά.
13. Να είστε πάντα βέβαιοι ότι έχετε καλό πάτημα σε πλαγιές.
14. Να περπατάτε, να μην τρέχετε ποτέ.
15. Μην πιάνετε τις εκτεθειμένες λάμες κοπής ή τα κοπτικά άκρα όταν σηκώνετε ή κρατάτε το μηχανήμα.
16. Σωματική κατάσταση — Μη χειρίζεστε τη μηχανή γκαζόν υπό την επίδραση ναρκωτικών, αλκοόλ ή άλλων φαρμάκων.
17. Διατηρείτε τα προστατευτικά στη θέση τους και σε λειτουργική κατάσταση.
18. Διατηρείτε τα χέρια και τα πόδια σας μακριά από τις περιστρεφόμενες λάμες. Προσοχή — Οι λάμες περιστρέφεται ελεύθερα μετά το σβήσιμο.
19. Βγάλτε το κλειδί πριν από την εκτέλεση εργασιών σέρβις ή καθαρισμού, ή την αφαίρεση υλικού από το μηχανήμα κηπουρικής.
20. Να χρησιμοποιείτε μόνο γνήσιες λάμες του κατασκευαστή που καθορίζονται σε αυτό το εγχειρίδιο.
21. Πριν από τη λειτουργία, να ελέγχετε προσεκτικά τις λάμες για ραγίσματα ή ζημιά. Να αντικαθιστάτε αμέσως τις ραγισμένες ή κατεστραμμένες λάμες.
22. Βεβαιωθείτε ότι στην περιοχή δεν υπάρχουν άλλα άτομα πριν ξεκινήσετε να κουρεύετε το γκαζόν. Σβήστε τη μηχανή γκαζόν αν εισέλθει κάποιος στην περιοχή.
23. Απομακρύνετε ξένα υλικά όπως πέτρες, καλώδια, μπουκάλια, κόκαλα και μεγάλα ξύλα από την περιοχή εργασίας πριν από το κούρεμα του γκαζόν για την αποφυγή προσωπικού τραυματισμού ή πρόκλησης ζημιάς στη μηχανή γκαζόν.
24. Διακόψτε αμέσως τη λειτουργία αν παρατηρήσετε οτιδήποτε ασυνήθιστο. Σβήστε τη μηχανή γκαζόν και βγάλτε το κλειδί από το μηχανήμα. Στη συνέχεια, επιθεωρήστε τη μηχανή γκαζόν.
25. Μην επιχειρήσετε ποτέ να κάνετε ρυθμίσεις του ύψους των τροχών ενώ η μηχανή γκαζόν βρίσκεται σε λειτουργία.
26. Αφήστε το μοχλό διακόπτη και περιμένετε μέχρι να σταματήσει η περιστροφή της λάμας πριν διασχίσετε ιδιωτικούς δρόμους, πεζοδρόμια, δρόμους και οποιαδήποτε περιοχή που είναι καλυμμένη με χαλίκια. Επίσης βγάλτε το κλειδί αν απομακρυνθείτε, αν σκύψετε για να πιάσετε ή να απομακρύνετε κάτι από μπροστά σας ή για οποιονδήποτε άλλο λόγο που μπορεί να αποσπάσει την προσοχή σας από αυτό που κάνετε.
27. Τα αντικείμενα στα οποία έχει προσκρούσει η λάμα της μηχανής γκαζόν μπορεί να προκαλέσουν σοβαρό τραυματισμό σε ανθρώπους. Πρέπει να εξετάζετε προσεκτικά το γκαζόν και να απομακρύνετε όλα τα αντικείμενα που εμποδίζουν πριν από το κάθε κούρεμα του γκαζόν.
28. Αν η μηχανή γκαζόν χτυπήσει σε ένα ξένο αντικείμενο, ακολουθήστε τα εξής βήματα:
 - Σβήστε τη μηχανή γκαζόν, αφήστε το μοχλό διακόπτη και περιμένετε μέχρι να σταματήσει να περιστρέφεται η λάμα.
 - Βγάλτε το κλειδί ασφάλισης και την κασέτα μπαταρίας.

- Επιθεωρήστε καλά τη μηχανή γκαζόν για τυχόν ζημιά.
 - Αντικαταστήστε τη λάμα αν έχει υποστεί ζημιά με οποιονδήποτε τρόπο.
- Επισκευάστε κάθε ζημιά πριν εκκινήσετε ξανά και συνενχίστε να χρησιμοποιείτε τη μηχανή γκαζόν.
29. Ελέγχετε τακτικά τον πίσω σάκο για φθορά ή παραμόρφωση. Για την αποθήκευση, πάντα να βεβαιώνετε ότι ο πίσω σάκος είναι άδειος. Αντικαθιστάτε ένα φθαρμένο σάκο με ένα καινούργιο ανταλλακτικό σάκο εργοστασίου για ασφάλεια.
 30. Σβήστε το μοτέρ και βγάλτε το κλειδί όταν απομακρύνετε από τον εξοπλισμό, πριν από τον καθαρισμό του περιβλήματος της μηχανής γκαζόν και πριν από την εκτέλεση τυχόν επισκευών ή επιθεωρήσεων.
 31. Να είστε ιδιαίτερα προσεκτικοί όταν κινείστε προς τα πίσω ή τραβάτε τη μηχανή προς το μέρος σας.
 32. Οι λάμες πρέπει να είναι ακινητοποιημένες όταν πρέπει να γείρετε τη μηχανή για μεταφορά κατά τη διέλευση επιφανειών εκτός από το γκαζόν και κατά τη μεταφορά της μηχανής από και προς την περιοχή όπου θα χρησιμοποιηθεί.
 33. Μη χειρίζεστε ποτέ τη μηχανή με ελαττωματικά προστατευτικά ή καλύμματα ή χωρίς τις διατάξεις ασφαλείας, να παράδειγμα, διατάξεις παρεκτροπής ή/και διάταξη συλλογής γκαζόν, στη θέση τους.
 34. Ενεργοποιήστε προσεκτικά το μοτέρ σύμφωνα με τις οδηγίες και με τα πόδια σας μακριά από τις λάμες.
 35. Μη γέρνετε τη μηχανή όταν ενεργοποιείτε το μοτέρ, εκτός αν πρέπει να γέρνετε τη μηχανή για την έναρξη. Σε αυτή την περίπτωση, μην τη γέρνετε περισσότερο από όσο είναι απολύτως απαραίτητο και να σηκώνετε μόνο το τμήμα που βρίσκεται μακριά από το χειριστή.
 36. Μην ενεργοποιείτε τη μηχανή όταν στέκεστε μπροστά από το άνοιγμα εκκένωσης.
 37. Μη βάζετε τα χέρια ή τα πόδια σας κοντά ή κάτω από περιστρεφόμενα μέρη. Μείνετε μακριά από το άνοιγμα εκκένωσης κάθε στιγμή.
 38. Μη μεταφέρετε τη μηχανή γκαζόν ενώ είναι ενεργοποιημένη.
 39. Σβήστε τη μηχανή και βγάλτε τη διάταξη απενεργοποίησης. Βεβαιωθείτε ότι όλα τα κινούμενα μέρη έχουν ακινητοποιηθεί πλήρως
 - κάθε φορά που απομακρύνετε από τη μηχανή,
 - πριν καθαρίσετε εμπόδια ή ξεφράξετε τη χοάνη,
 - πριν ελέγξετε ή καθαρίσετε τη μηχανή ή πριν εκτελέσετε εργασίες σε αυτή,
 - μετά από την πρόσκρουση σε ξένο αντικείμενο. Επιθεωρήστε τη μηχανή για ζημιά και εκτελέστε επισκευές πριν την επανεκκίνηση και λειτουργία της μηχανής.
 40. Αν η μηχανή αρχίσει να δονείται με ασυνήθιστο τρόπο (ελέγξτε αμέσως)
 - επιθεωρήστε για ζημιά,
 - αντικαταστήστε ή επισκευάστε τα κατεστραμμένα μέρη,
 - ελέγξτε για χαλαρά μέρη και σφίξτε τα ανάλογα.

41. Προσέχετε κατά τη διάρκεια ρυθμίσεων στη μηχανή για την αποφυγή παγίδευσης δακτύλων μεταξύ των κινούμενων λαμών και των σταθερών μερών της μηχανής.
42. Να κινήστε κατά πλάτος της πρόσοψης της πλαγιάς, ποτέ προς τα επάνω ή κάτω. Να είστε ιδιαίτερα προσεκτικοί όταν αλλάζετε κατεύθυνση σε πλαγιές. Μην κουρευείτε το γκαζόν σε εξαιρετικά απότομες πλαγιές.
43. Μην πλένετε τη μηχανή με λάστιχο. Αποφεύγετε την εισχώρηση νερού στο μοτέρ ή στις ηλεκτρικές συνδέσεις.
44. Ελέγξτε σε τακτικά διαστήματα αν το μπουλόνι στερέωσης λάμας είναι καλά σφιγμένο.
45. Διατηρείτε σφικτά όλα τα παξιμάδια, τα μπουλόνια και τις βίδες για να βεβαιωθείτε ότι ο εξοπλισμός βρίσκεται σε ασφαλή λειτουργική κατάσταση.
46. Να αφήνετε πάντα τη μηχανή να κρυώσει πριν την αποθήκευση.
47. Κατά την εκτέλεση εργασιών σέρβις στις λάμες, να γνωρίζετε ότι οι λάμες μπορεί να συνεχίζουν να κινούνται παρότι η τροφοδοσία απενεργοποιήθηκε.
48. Αντικαταστήστε τα φθαρμένα ή κατεστραμμένα μέρη για ασφάλεια. Να χρησιμοποιείτε μόνο γνήσια ανταλλακτικά εξαρτήματα και αξεσουάρ.

ΦΥΛΑΞΤΕ ΤΙΣ ΟΔΗΓΙΕΣ ΑΥΤΕΣ.

⚠️ ΠΡΟΕΙΔΟΠΟΙΗΣΗ:

ΜΗΝ επιτρέψετε το βαθμό άνεσης ή εξοικείωσης με το προϊόν (λόγω επανειλημμένης χρήσης) να αντικαταστήσει την αυστηρή τήρηση των κανόνων ασφαλείας του παρόντος εργαλείου. ΚΑΚΗ ΧΡΗΣΗ ή αμέλεια να ακολουθήσετε τους κανόνες ασφαλείας που διατυπώνονται σ' αυτό το εγχειρίδιο οδηγιών μπορεί να προκαλέσει σοβαρό προσωπικό τραυματισμό.

ENC007-8

ΣΗΜΑΝΤΙΚΕΣ ΟΔΗΓΙΕΣ ΑΣΦΑΛΕΙΑΣ

ΓΙΑ ΚΑΣΕΤΑ ΜΠΑΤΑΡΙΑΣ

1. Πριν χρησιμοποιήσετε την κασέτα μπαταρίας, διαβάστε όλες τις οδηγίες και σημειώσεις προφύλαξης (1) στον φορτιστή μπαταρίας, (2) στην μπαταρία και (3) στο προϊόν που χρησιμοποιεί την μπαταρία.
2. Μην αποσυαρμολογήσετε την κασέτα μπαταρίας.
3. Εάν ο χρόνος λειτουργίας έχει γίνει υπερβολικά βραχύς, σταματήστε την λειτουργία αμέσως. Αλλιώς, μπορεί να έχει ως αποτέλεσμα κίνδυνο υπερθέρμανσης, πιθανά εγκαύματα ή ακόμη και έκρηξη.
4. Εάν ηλεκτρολύτης μπει στα μάτια σας, ξεπλύνετε τα με καθαρό νερό και ζητήστε ιατρική φροντίδα αμέσως. Αλλιώς, μπορεί να έχει ως αποτέλεσμα απώλεια της όρασης σας.
5. Μη βραχυκυκλώνετε την κασέτα μπαταρίας:
 - (1) Μην αγγίζετε τους πόλους με οποιοδήποτε αγώγιμο υλικό.
 - (2) Αποφεύγετε να αποθηκεύετε την κασέτα μπαταρίας μέσα σε ένα δοχείο μαζί με άλλα μεταλλικά αντικείμενα όπως καρφιά, νομίσματα, κλπ.

(3) Μην εκθέτετε την κασέτα μπαταρίας στο νερό ή στη βροχή.

Ένα βραχυκύκλωμα μπαταρίας μπορεί να προκαλέσει μεγάλη ροή ρεύματος, υπερθέρμανση, πιθανά εγκαύματα ακόμη και σοβαρή βλάβη.

6. Μην αποθηκεύετε το εργαλείο και την κασέτα μπαταρίας σε τοποθεσίες όπου η θερμοκρασία μπορεί να φτάσει ή να ξεπεράσει τους 50°C.
7. Μη καίτε την κασέτα μπαταρίας ακόμη και εάν έχει σοβαρή ζημιά ή είναι εντελώς φθαρμένη. Η κασέτα μπαταρίας μπορεί να εκραγεί στην φωτιά.
8. Προσέχετε να μη ρίξετε κάτω ή χτυπήσετε την μπαταρία.
9. Μην χρησιμοποιείτε μπαταρία που έχει υποστεί ζημία.
10. Τηρήστε τους τοπικούς κανονισμούς που σχετίζονται με τη διάθεση της μπαταρίας.

ΦΥΛΑΞΤΕ ΤΙΣ ΟΔΗΓΙΕΣ ΑΥΤΕΣ.

Συμβουλές για διατήρηση μέγιστης ζωής μπαταρίας

1. Φορτίστε την κασέτα μπαταρίας πριν από την πλήρη αποφόρτιση της. Σταματάτε πάντοτε τη λειτουργία του εργαλείου και να φορτίζετε την κασέτα μπαταρίας όταν παρατηρήσετε μειωμένη ισχύ εργαλείου.
2. Ποτέ μην επαναφορτίζετε μία πλήρως φορτισμένη κασέτα μπαταρίας. Η υπερφόρτιση μειώνει την ωφέλιμη ζωή της μπαταρίας.
3. Φορτίζετε την κασέτα μπαταρίας σε θερμοκρασία δωματίου 10°C – 40°C. Αφήστε μια θερμή κασέτα μπαταρίας να κρυώσει πριν τη φορτίσετε.
4. Φορτίστε την κασέτα μπαταρίας μία φορά κάθε έξι μήνες εάν δεν τη χρησιμοποιείτε για μεγάλη χρονική περίοδο.

ΠΕΡΙΓΡΑΦΗ ΛΕΙΤΟΥΡΓΙΑΣ

Τοποθέτηση ή αφαίρεση της κασέτας μπαταρίας

⚠ ΠΡΟΣΟΧΗ:

- Πάντοτε σβήνετε το εργαλείο πριν εγκαταστήσετε ή βγάλετε την κασέτα μπαταρίας.
- Βεβαιωθείτε να ασφαλίσετε το κάλυμμα μπαταρίας πριν από τη χρήση. Διαφορετικά, η λάσπη, η σκόνη ή το νερό μπορεί να προκαλέσουν ζημιά στο προϊόν ή στην κασέτα μπαταρίας.
- Να τοποθετείτε πάντα την κασέτα μπαταρίας πλήρως μέχρι να μην βλέπετε την κόκκινη ένδειξη. Σε αντίθετη περίπτωση, μπορεί να πέσει κατά λάθος από το εργαλείο και να τραυματίσει εσάς ή κάποιον παρευρισκόμενο.
- Μην τοποθετείτε την κασέτα μπαταρίας με βία. Αν η κασέτα δεν εισέρχεται με ευκολία, δεν είναι τοποθετημένη σωστά.

ΠΑΡΑΤΗΡΗΣΗ:

- Το εργαλείο δεν λειτουργεί με μόνο μία κασέτα μπαταρίας.

Για να τοποθετήσετε την κασέτα μπαταρίας:

1. Τραβήξτε το μοχλό ασφάλισης καλύμματος μπαταρίας προς το μέρος σας και ανοίξτε το κάλυμμα μπαταρίας. (Εικ. 1)

2. Για να τοποθετήσετε την κασέτα μπαταρίας, ευθυγραμμίστε τη γλώσσα στην κασέτα μπαταρίας με την εγκοπή στην υποδοχή και ολισθήστε τη στη θέση της. Να την τοποθετείτε πλήρως μέχρι να ασφαλίσει στη θέση της, γεγονός που υποδεικνύεται με ένα χαρακτηριστικό ήχο. Αν είναι ορατή η κόκκινη ένδειξη στην επάνω πλευρά του κουμπιού, δεν έχει ασφαλίσει πλήρως. (Εικ. 2)
3. Εισαγάγετε το κλειδί ασφάλισης στη θέση που απεικονίζεται στην εικόνα μέχρι τέρμα. (Εικ. 3)
4. Κλείστε το κάλυμμα μπαταρίας και ωθήστε το μέχρι να ασφαλίσει με το μοχλό ασφάλισης.

Για να βγάλετε την κασέτα μπαταρίας από τη μηχανή γκαζόν:

1. Τραβήξτε το μοχλό ασφάλισης καλύμματος μπαταρίας προς το μέρος σας και ανοίξτε το κάλυμμα μπαταρίας.
2. Σύρετε το από το εργαλείο ενώ ολισθαίνετε το κουμπί μπροστά από την κασέτα.
3. Τραβήξτε προς τα έξω το κλειδί ασφάλισης.
4. Κλείστε το κάλυμμα μπαταρίας.

Σύστημα προστασίας μπαταρίας

Το εργαλείο είναι εξοπλισμένο με σύστημα προστασίας του εργαλείου/μπαταρίας. Αυτό το σύστημα αποκόπτει αυτόματα την ισχύ προς το μοτέρ για να παραταθεί η διάρκεια λειτουργίας του εργαλείου και της μπαταρίας.

Το εργαλείο σταματάει αυτόματα κατά τη διάρκεια της λειτουργίας αν το εργαλείο ή η μπαταρία βρεθούν κάτω από τις παρακάτω συνθήκες. Σε μερικές συνθήκες, οι ενδείξεις ανάβουν.

Προστασία υπερφόρτισης

Όταν το εργαλείο λειτουργεί με τρόπο ώστε να αναγκάζεται να καταναλώνει ασυνήθιστα υψηλό ρεύμα, το εργαλείο σταματάει αυτόματα χωρίς καμία ένδειξη. Σε αυτή την κατάσταση, απενεργοποιήστε το εργαλείο και διακόψτε την εφευρέση που προκαλεί την υπερφόρτιση του εργαλείου. Μετά, ενεργοποιήστε το εργαλείο για επανεκκίνηση.

Προστασία υπερθέρμανσης

Όταν το εργαλείο ή η μπαταρία υπερθερμαίνεται, το εργαλείο σταματάει αυτόματα χωρίς καμία ένδειξη. Το εργαλείο δεν ξεκινάει ακόμη κι αν το ενεργοποιήσετε. Σε αυτή την κατάσταση, αφήστε το εργαλείο ή την μπαταρία να ψυχθεί πριν ενεργοποιήσετε ξανά το εργαλείο.

ΠΑΡΑΤΗΡΗΣΗ:

- Η προστασία υπερθέρμανσης μπαταρίας λειτουργεί μόνο με κασέτα μπαταρίας με ένδειξη αστεριού. Το σύστημα προστασίας υπερθέρμανσης εργαλείου λειτουργεί με οποιοσδήποτε κασέτες μπαταρίας. (Εικ. 4)

Προστασία από υπερβολική αποφόρτιση (Εικ. 5)

Όταν το υπολειπόμενο φορτίο της μπαταρίας είναι χαμηλό, η ένδειξη μπαταρίας αναβοσβήνει στην κατάλληλη πλευρά μπαταρίας. Με περαιτέρω χρήση, το εργαλείο σταματάει και η ένδειξη μπαταρίας ανάβει για περίπου 10 δευτερόλεπτα. Σε αυτή την κατάσταση, φορτίστε την κασέτα μπαταρίας.

Δράση διακόπτη τροφοδοσίας

⚠️ ΠΡΟΕΙΔΟΠΟΙΗΣΗ:

- Πριν τοποθετήσετε την κασέτα μπαταρίας στο εργαλείο, να ελέγχετε πάντοτε ότι ο μοχλός διακόπτη ενεργοποιείται κανονικά και επιστρέφει στην αρχική θέση όταν ελευθερώνεται. Η λειτουργία ενός εργαλείου με ένα διακόπτη που δεν ενεργοποιείται σωστά μπορεί να οδηγήσει σε απώλεια ελέγχου και σοβαρό προσωπικό τραυματισμό.

ΠΑΡΑΤΗΡΗΣΗ:

- Αν προσπαθείτε να κουρευείτε μεγάλες ποσότητες γκαζόν με τη μία, μπορεί να μην εκκινείται το μοτέρ εξαιτίας υπερβολικού φορτίου. Σε αυτή την περίπτωση, αλλάξτε το ύψος κοπής σε ένα υψηλότερο επίπεδο για να κάνετε επανέναρξη.
- Η μηχανή γκαζόν δεν ενεργοποιείται αν δεν πατήσετε το κουμπί διακόπτη ακόμα και αν έχετε τραβήξει το μοχλό διακόπτη.

Αυτή η μηχανή γκαζόν είναι εξοπλισμένη με διακόπτη αλληλασφάλισης και διακόπτη λαβής. Αν παρατηρήσετε οτιδήποτε ασυνήθιστο με οποιονδήποτε από αυτούς τους διακόπτες, διακόψτε αμέσως τη λειτουργία και φροντίστε να ελεγχθούν από το πλησιέστερο εξουσιοδοτημένο κέντρο εξυπηρέτησης της Makita.

1. Τοποθετήστε τις κασέτες μπαταρίας. Εισαγάγετε το κλειδί ασφάλισης στο διακόπτη αλληλασφάλισης και μετά κλείστε το κάλυμμα μπαταρίας. **(Εικ. 3)**
2. Πατήστε το κουμπί διακόπτη.
3. Τραβήξτε το μοχλό διακόπτη προς το μέρος σας ενώ κρατάτε πατημένο το κουμπί διακόπτη.
4. Αφήστε το κουμπί διακόπτη μόλις πάρει μπροστά το μοτέρ. Η μηχανή γκαζόν θα συνεχίσει να λειτουργεί μέχρι να αφήσετε το μοχλό διακόπτη. **(Εικ. 6)**
5. Για να σταματήσετε το μοτέρ, αφήστε το μοχλό διακόπτη.
6. Όταν δεν χρησιμοποιείτε τη μηχανή γκαζόν, βγάλτε το κλειδί ασφάλισης. Φυλάξτε το κλειδί ασφάλισης σε ένα ασφαλές μέρος μακριά από παιδιά.

Ρύθμιση του ύψους κουρέματος **(Εικ. 7)**

⚠️ ΠΡΟΕΙΔΟΠΟΙΗΣΗ:

- Μη βάζετε ποτέ το χέρι ή το πόδι σας κάτω από τη μονάδα της μηχανής γκαζόν όταν ρυθμίζετε το ύψος κοπής.
- Να βεβαιώνετε πάντα ότι ο μοχλός προσαρμόζεται σωστά στην εγκοπή πριν από τη λειτουργία.

Το ύψος κοπής μπορεί να ρυθμιστεί σε εύρος από 25 mm – 75 mm.

1. Βγάλτε το κλειδί ασφάλισης.
2. Τραβήξτε το μοχλό ρύθμισης ύψους κουρέματος προς την πλευρά Α. Μετακινήστε το στην επιθυμητή στάθμη ύψους κουρέματος. Βεβαιωθείτε ότι οι πείροι στο μοχλό ρύθμισης ύψους κουρέματος προσαρμόζονται στις οπές και ο μοχλός επιστρέφει στην πλευρά Β.

ΠΑΡΑΤΗΡΗΣΗ:

- Οι τιμές με τη ύψη κοπής πρέπει να χρησιμοποιούνται μόνο ως οδηγός, επειδή η κατάσταση του γκαζόν ή του εδάφους μπορεί να έχει ως αποτέλεσμα το ύψος του γκαζόν να διαφέρει λίγο από τη τιμή με το καθορισμένο ύψος.
- Κάντε ένα δοκιμαστικό κούρεμα του γκαζόν σε ένα λιγότερο εμφανές μέρος για να πετύχετε το επιθυμητό ύψος.

- Είναι πιο εύκολο να μετακινήσετε το μοχλό ρύθμισης ύψους κοπής ενώ κρατάτε το εργαλείο σταθερά. **(Εικ. 8)**

Ένδειξη στάθμης γρασιδιού **(Εικ. 9)**

Η ένδειξη στάθμης γρασιδιού δείχνει τον όγκο του συλλεγμένου γρασιδιού.

- Όταν το καλάθι γρασιδιού δεν είναι γεμάτο, η ένδειξη αιωρείται κατά το κούρεμα.
- Όταν το καλάθι γρασιδιού είναι γεμάτο, η ένδειξη δεν αιωρείται κατά το κούρεμα. Σε αυτή την περίπτωση, διακόψτε αμέσως το κούρεμα του γκαζόν και αδειάστε το καλάθι. Αφού αδειάσετε το καλάθι, καθαρίστε το ώστε να διέρχεται αέρας από το δίκτυ.

ΠΑΡΑΤΗΡΗΣΗ:

- Αυτή η ένδειξη είναι ένας πρόχειρος οδηγός. Ανάλογα με τις συνθήκες στο εσωτερικό του καλάθιου, αυτή η ένδειξη μπορεί να μη λειτουργεί σωστά.

ΣΥΝΑΡΜΟΛΟΓΗΣΗ

⚠️ ΠΡΟΕΙΔΟΠΟΙΗΣΗ:

- **Να βεβαιώνετε πάντα ότι έχετε βγάλει το κλειδί ασφάλισης και την κασέτα μπαταρίας όταν πραγματοποιείτε οποιαδήποτε εργασία στη μηχανή γκαζόν.** Αν δεν βγάλετε το κλειδί ασφάλισης και την κασέτα μπαταρίας μπορεί να έχει ως αποτέλεσμα σοβαρό προσωπικό τραυματισμό από τυχαία εκκίνηση.
- **Μη βάζετε ποτέ μπροστά το εργαλείο αν δεν είναι πλήρως συναρμολογημένο.** Η λειτουργία του εργαλείου σε μερικώς συναρμολογημένη κατάσταση μπορεί να έχει ως αποτέλεσμα σοβαρό προσωπικό τραυματισμό από τυχαία έναρξη.

Εγκατάσταση του καλύμματος μπαταρίας

⚠️ ΠΡΟΕΙΔΟΠΟΙΗΣΗ:

- Μην εισαγάγετε το κλειδί ασφάλισης και την κασέτα μπαταρίας πριν τοποθετήσετε το κάλυμμα μπαταρίας. Αν δεν το κάνετε αυτό, μπορεί να προκληθεί σοβαρός τραυματισμός.

Τοποθετήστε το κάλυμμα μπαταρίας πλήρως πριν θέσετε το εργαλείο σε λειτουργία για να προστατεύσετε το εργαλείο και την κασέτα μπαταρίας από λάσπη, βρομιά ή νερό.

1. Τοποθετήστε το κάλυμμα μπαταρίας στο εργαλείο ευθυγραμμίζοντας τις προεξοχές στο εργαλείο με τις οπές στο κάλυμμα μπαταρίας. **(Εικ. 10)**
2. Τοποθετήστε τα χέρια σας στη μέση του καλύμματος μπαταρίας και πιέστε το. **(Εικ. 11)**
3. Πριν την πρώτη λειτουργία, ελέγξτε ότι το σημείο περιστροφής του καλύμματος μπαταρίας είναι συναρμολογημένο σωστά. Για να το ελέγξετε, τραβήξτε το μοχλό ασφάλισης καλύμματος μπαταρίας προς το μέρος σας και ανοίξτε το κάλυμμα μπαταρίας. **(Εικ. 12)**

Τοποθέτηση της λαβής **(Εικ. 13, 14 και 15)**

⚠️ ΠΡΟΕΙΔΟΠΟΙΗΣΗ:

- Όταν τοποθετείτε τις λαβές, τοποθετήστε τα καλώδια για να μην πιαστούν από οτιδήποτε μεταξύ των λαβών.
1. Χαλαρώστε τις βίδες σύσφιξης (δύο τεμάχια).
 2. Επεκτείνετε την κάτω λαβή προς τις δύο πλευρές της και με τη λαβή επεκταμένη σε αυτή τη θέση περιστρέψτε την προς τα πίσω και κατόπιν τοποθετήστε τη μέσα στην εγκοπή στη βάση.

3. Σφίξτε τις βίδες σύσφιξης και στις δύο πλευρές για να ασφαλίσετε την κάτω λαβή.
4. Ανυψώστε την άνω λαβή και ευθυγραμμίστε τις οπές βιδών στην άνω λαβή με αυτές στην κάτω λαβή. Ασφαλίστε τις με τις παρεχόμενες βίδες, κυρτές ροδέλες και τα παξιμάδια σύσφιξης.

ΠΑΡΑΤΗΡΗΣΗ:

- Αυτή τη στιγμή, κρατήστε καλά την άνω λαβή για να μην πέσει από το χέρι σας.

ΠΑΡΑΤΗΡΗΣΗ:

- Τοποθετήστε την άνω λαβή ώστε η κατεύθυνση της άνω λαβής και το καλώδιο τροφοδοσίας να είναι τοποθετημένα όπως απεικονίζεται στην εικόνα. (Εικ. 16)

Αφαίρεση ή τοποθέτηση της λάμας (Εικ. 17 και 18)

⚠️ ΠΡΟΕΙΔΟΠΟΙΗΣΗ:

- Να αφαιρείτε πάντα το κλειδί ασφάλισης και την κασέτα μπαταρίας όταν αφαιρείτε ή τοποθετείτε τη λάμα. Αν δεν αφαιρέσετε το κλειδί ασφάλισης και την κασέτα μπαταρίας μπορεί να προκληθεί σοβαρός τραυματισμός.
- Η λάμα κινείται ελεύθερα για μερικά δευτερόλεπτα αφού αφήσετε το διακόπτη. Βεβαιωθείτε ότι η λάμα έχει ακινητοποιηθεί τελείως.
- Να φοράτε πάντα γάντια κατά το χειρισμό της λάμας.

1. Τοποθετήστε τη μηχανή γκαζόν στο πλάι ώστε ο μοχλός ρύθμισης ύψους κοπής να τοποθετηθεί στην άνω πλευρά.
2. Για να κλειδώσετε τη λάμα, τοποθετήστε ένα κομμάτι ξύλο ή παρόμοιο στη μηχανή γκαζόν.
3. Χαλαρώστε το μπουλόνι αριστερόστροφα με το σωληνωτό κλειδί.
4. Αφαιρέστε το μπουλόνι, το γκρόβερ, την επίπεδη ροδέλα και τη λάμα με τη σειρά.

Για να τοποθετήσετε τη λάμα, ακολουθήστε τη διαδικασία αφαίρεσης με αντίστροφη σειρά.

⚠️ ΠΡΟΕΙΔΟΠΟΙΗΣΗ:

- Τοποθετήστε τη λάμα προσεκτικά επειδή έχει άνω/κάτω πρόσοψη.
- Σφίξτε καλά το μπουλόνι δεξιόστροφα για να ασφαλίσετε τη λάμα.
- Τοποθετήστε τη λάμα ώστε η πλευρά της λάμας με το περιστροφικό βέλος κατεύθυνσης να είναι στραμμένο προς τα έξω.
- Βεβαιωθείτε ότι η λάμα είναι τοποθετημένη με ασφάλεια.

Τοποθέτηση του καλαθιού γρασιδιού (Εικ. 19 και 20)

Βγάλτε το κλειδί ασφάλισης.

Ανυψώστε το πίσω προστατευτικό της μονάδας της μηχανής γκαζόν.

Γαντζώστε το καλάθι γρασιδιού στην εγκοπή της μονάδας της μηχανής γκαζόν.

ΛΕΙΤΟΥΡΓΙΑ

Κούρεμα γκαζόν

⚠️ ΠΡΟΕΙΔΟΠΟΙΗΣΗ:

- Πριν κουρέψετε το γκαζόν, καθαρίστε τα ξύλα και τις πέτρες από την περιοχή που θα κουρέψετε. Επιπλέον, καθαρίστε εκ των προτέρων τυχόν αγριόχορτα από την περιοχή που θα κουρέψετε.
- Να φοράτε πάντα προστατευτικά γυαλιά-προσωπίδες ή γυαλιά ασφάλειας με πλάινα προστατευτικά όταν χειρίζεστε τη μηχανή γκαζόν.

Να κρατάτε καλά τη λαβή της μηχανής γκαζόν και με τα δύο χέρια κατά το κούρεμα.

Το πλάτος μεταξύ της μέσης των μπροστινών τροχών δείχνει την κατευθυντήρια γραμμή του εύρους κουρέματος. Για ομοιόμορφο κούρεμα, υπερκαλύψτε την περιοχή κουρέματος μερικώς με την περιοχή που κουρέψατε πριν.

Ελέγχετε περιοδικά τη στάθμη του καλαθιού γρασιδιού και αδειάστε το πριν γεμίσει. Πριν από κάθε περιοδικό έλεγχο, βεβαιωθείτε να σβήσετε τη μηχανή γκαζόν και να βγάλετε το κλειδί ασφάλισης και την κασέτα μπαταρίας.

ΠΑΡΑΤΗΡΗΣΗ:

- Η χρήση της μηχανής γκαζόν με το καλάθι γρασιδιού γεμάτο αποτρέπει την ομαλή περιστροφή της λάμας και θέτει επιπλέον φορτίο στο μοτέρ, το οποίο μπορεί να προκαλέσει βλάβη.

Κούρεμα μακριού γρασιδιού (Εικ. 21)

Μην προσπαθείτε να κουρέψετε μακρύ γκαζόν με τη μία. Αντ' αυτού, κουρέψτε το γκαζόν σε στάδια, αφήνοντας μία ή δύο μέρες ανάμεσα στα κούρεματα, μέχρι το γκαζόν να είναι ομοιόμορφα κοντό.

ΠΑΡΑΤΗΡΗΣΗ:

- Αν κουρέψετε το μακρύ γκαζόν κοντό με τη μία μπορείτε να έχετε ως αποτέλεσμα να νεκρωθεί το γκαζόν ή/και να φράξει το εσωτερικό της κύριας μονάδας.

Άδειασμα του καλαθιού γρασιδιού (Εικ. 22)

⚠️ ΠΡΟΕΙΔΟΠΟΙΗΣΗ:

- Για τη μείωση του κινδύνου πρόκλησης ατυχήματος, να ελέγχετε τακτικά το καλάθι γρασιδιού για τυχόν ζημιά ή μειωμένη αντοχή και να το αντικαθιστάτε αν είναι απαραίτητο.

1. Απελευθερώστε το μοχλό διακόπτη.
2. Βγάλτε το κλειδί ασφάλισης.
3. Ανοίξτε το πίσω προστατευτικό και βγάλτε το καλάθι γρασιδιού με τη λαβή του.
4. Αδειάστε το καλάθι γρασιδιού.

ΣΥΝΤΗΡΗΣΗ ΚΑΙ ΑΠΟΘΗΚΕΥΣΗ

⚠️ ΠΡΟΕΙΔΟΠΟΙΗΣΗ:

- Να βεβαιώνετε πάντα ότι έχετε βγάλει το κλειδί ασφάλισης και την κασέτα μπαταρίας από τη μηχανή γκαζόν πριν από την αποθήκευση ή την εκτέλεση εργασιών επιθεώρησης ή συντήρησης.
- Να φοράτε γάντια όταν εκτελείτε εργασίες επιθεώρησης ή συντήρησης.

⚠️ ΠΡΟΣΟΧΗ:

- Μην χρησιμοποιείτε ποτέ βενζίνη, πετρελαϊκό αιθέρα, διαλυτικό, αλκοόλη ή παρόμοιες ουσίες. Ενδέχεται να προκληθεί αποχρωματισμός, παραμόρφωση ή ρωγμές.

ΣΥΝΤΗΡΗΣΗ

1. ΒΓΆΛΤΕ ΤΟ ΚΛΕΙΔΙ ΑΣΦΑΛΙΣΗΣ. Φυλάξτε το σε ένα ασφαλές μέρος μακριά από παιδιά.
2. Καθαρίστε τη μηχανή γκαζόν μόνο με τη χρήση ήπιου σαπουνιού και ενός βρεγμένου πανιού. Μην ψεκάζετε και μη χύνετε νερό στη μηχανή γκαζόν όταν την καθαρίζετε.
3. Γυρίστε τη μηχανή γκαζόν στο πλάι και καθαρίστε τα μικρά κομμάτια χορταριού που έχουν συσσωρευτεί στο κάτω μέρος της βάσης της μηχανής γκαζόν.
4. Ελέγξτε αν είναι σφικτά όλα τα παξιμάδια, τα μπουλόνια, οι διακόπτες, οι βίδες, οι σύνδεσμοι, κτλ.
5. Επιθεωρήστε τα κινούμενα μέρη για ζημιά, σπάσιμο και φθορά. Φροντίστε να επισκευαστούν τα μέρη που έχουν υποστεί ζημιά ή που λείπουν.
6. Πριν από την αποθήκευση της μηχανής γκαζόν, βγάλτε την κασέτα μπαταρίας από τη μηχανή.
7. Αποθηκεύστε τη μηχανή γκαζόν σε εσωτερικό, δροσερό και στεγνό, κλειδωμένο χώρο. Μην αποθηκεύετε τη μηχανή γκαζόν και το φορτιστή σε μέρη όπου η θερμοκρασία μπορεί να φτάσει ή να ξεπεράσει τους 40°C.

Αποθήκευση (Εικ. 23, 24 και 25)

ΠΡΟΕΙΔΟΠΟΙΗΣΗ:

- Κατά τη μεταφορά ή αποθήκευση της μηχανής γκαζόν, να πιάνετε τη λαβή και το μπροστινό χερούλι της μηχανής γκαζόν. Αν κρατάτε μόνο τις λαβές, μπορεί να προκληθεί σοβαρός τραυματισμός ή ζημιά στη μηχανή γκαζόν.
1. Χαλαρώστε τη βίδα σύσφιξης, εκτείνετε την κάτω λαβή προς τις δύο πλευρές και, στη συνέχεια, μετακινήστε τη λαβή προς τα εμπρός. Αυτή τη στιγμή, κρατήστε καλά το μπροστινό χερούλι για να μην πέσει στην μακρινή πλευρά του εργαλείου.
 2. Χαλαρώστε το παξιμάδι σύσφιξης και περιστρέψτε την άνω λαβή προς τα πίσω.

Για την διατήρηση της ΑΣΦΑΛΕΙΑΣ και ΑΞΙΟΠΙΣΤΙΑΣ του προϊόντος, επισκευές, οποιαδήποτε άλλη συντήρηση ή ρύθμιση πρέπει να εκτελούνται από τα εξουσιοδοτημένα κέντρα εξυπηρέτησης της Makita, με χρήση πάντοτε ανταλλακτικών Makita.

ΑΝΤΙΜΕΤΩΠΙΣΗ ΠΡΟΒΛΗΜΑΤΩΝ

Πριν ζητήσετε επισκευές, εκτελέστε αρχικά τη δική σας επιθεώρηση. Αν εντοπίσετε πρόβλημα που δεν επεξηγείται στο εγχειρίδιο, μην επιχειρήσετε να αποσυναρμολογήσετε το εργαλείο. Αντ' αυτού, ζητήστε βοήθεια από εξουσιοδοτημένα κέντρα εξυπηρέτησης της Makita και πάντοτε να χρησιμοποιείτε γνήσια ανταλλακτικά της Makita.

Κατάσταση δυσλειτουργίας	Αιτία	Ενέργεια
Η μηχανή γκαζόν δεν ενεργοποιείται.	Δεν είναι τοποθετημένες δύο κασέτες μπαταρίας.	Τοποθετήστε τις φορτισμένες κασέτες μπαταρίας.
	Πρόβλημα μπαταρίας (μικρή τάση)	Επαναφορτίστε την κασέτα μπαταρίας. Αν η επαναφόρτιση δεν είναι αποτελεσματική, αντικαταστήστε την κασέτα μπαταρίας.
	Δεν έχετε εισάγει το κλειδί ασφάλισης.	Εισαγάγετε το κλειδί ασφάλισης.
Το μοτέρ σταματά να λειτουργεί μετά από μικρή χρήση.	Το επίπεδο φόρτισης μπαταρίας είναι χαμηλό.	Επαναφορτίστε την κασέτα μπαταρίας. Αν η επαναφόρτιση δεν είναι αποτελεσματική, αντικαταστήστε την κασέτα μπαταρίας.
	Το ύψος κοπής έχει ρυθμιστεί πολύ χαμηλά.	Ανεβάστε το ύψος.
Δεν φτάνει τις μέγιστες ΣΑΛ.	Η μπαταρία δεν είναι σωστά τοποθετημένη.	Τοποθετήστε την κασέτα μπαταρίας όπως περιγράφεται σε αυτό το εγχειρίδιο.
	Η ισχύς της μπαταρίας πέφτει.	Επαναφορτίστε την κασέτα μπαταρίας. Αν η επαναφόρτιση δεν είναι αποτελεσματική, αντικαταστήστε την κασέτα μπαταρίας.
	Το σύστημα μετάδοσης κίνησης δεν λειτουργεί σωστά.	Απευθυνθείτε στο τοπικό εξουσιοδοτημένο κέντρο σέρβις για επισκευή.
Το εργαλείο κοπής δεν περιστρέφεται: σταματήστε τη μηχανή αμέσως!	Έχει φράξει ένα ξένο αντικείμενο, όπως ένα κλαδί, κοντά στη λάμα.	Αφαιρέστε το ξένο αντικείμενο.
	Το σύστημα μετάδοσης κίνησης δεν λειτουργεί σωστά.	Απευθυνθείτε στο τοπικό εξουσιοδοτημένο κέντρο σέρβις για επισκευή.
Ασυνήθιστοι κραδασμοί: σταματήστε τη μηχανή αμέσως!	Η λάμα δεν είναι ισορροπημένη ή έχει φθαρεί υπερβολικά ή ανομοιόμορφα.	Αντικαταστήστε τη λάμα.

014546

ΠΡΟΑΙΡΕΤΙΚΑ ΕΞΑΡΤΗΜΑΤΑ

⚠ ΠΡΟΣΟΧΗ:

- Αυτά τα ανταλλακτικά ή προσαρτήματα συνιστώνται για χρήση με το εργαλείο σας της Makita που περιγράφεται στο εγχειρίδιο αυτό. Η χρήση οποιδήποτε άλλων ανταλλακτικών ή προσαρτημάτων μπορεί να παρουσιάσουν κίνδυνο τραυματισμού σε άτομα. Χρησιμοποιήστε ανταλλακτικά ή προσαρτήματα μόνο για τον καθορισμένο σκοπό.

Εάν χρειάζεστε βοήθεια ή περισσότερες λεπτομέρειες σε σχέση με αυτά τα ανταλλακτικά, ρωτήστε το τοπικό σας κέντρο εξυπηρέτησης της Makita.

- Λάμα
- Γνήσια μπαταρία και φορτιστής της Makita

ΠΑΡΑΤΗΡΗΣΗ:

- Μερικά στοιχεία στη λίστα μπορεί να συμπεριλαμβάνονται στη συσκευασία εργαλείου ως στάνταρ εξαρτήματα. Μπορεί να διαφέρουν ανάλογα με τη χώρα.

ENG905-1

Θόρυβος

Το τυπικό A επίπεδο μετρημένου θορύβου καθορίζεται σύμφωνα με το 2000/14/EK:

Στάθμη πίεσης ήχου (L_{pA}): 81 dB (A)
Στάθμη δύναμης ήχου (L_{WA}): 93 dB (A)
Αβεβαιότητα (K): 3 dB (A)

Φοράτε ωτοασπίδες

Κραδασμός

Η ολική τιμή δόνησης (άθροισμα τρι-αξονικού διανύσματος) καθορίζεται σύμφωνα με το EN60335:

Εκπομπή δόνησης (a_n): 2,5 m/s² ή λιγότερο
Αβεβαιότητα (K): 1,5 m/s²

ENG901-1

- Η δηλωμένη τιμή εκπομπής κραδασμών έχει μετρηθεί σύμφωνα με την πρότυπη μέθοδο δοκιμής και μπορεί να χρησιμοποιηθεί για τη σύγκριση ενός εργαλείου με άλλο.
- Η δηλωμένη τιμή εκπομπής κραδασμών μπορεί να χρησιμοποιηθεί και στην προκαταρκτική αξιολόγηση έκθεσης.

⚠ ΠΡΟΕΙΔΟΠΟΙΗΣΗ:

- Η εκπομπή κραδασμών κατά τη χρήση του ηλεκτρικού εργαλείου σε πραγματικές συνθήκες μπορεί να διαφέρει από τη δηλωμένη τιμή εκπομπής ανάλογα με τον τρόπο χρήσης του εργαλείου.
- Φροντίστε να λάβετε τα κατάλληλα μέτρα προστασίας του χειριστή βάσει υπολογισμού της έκθεσης σε πραγματικές συνθήκες χρήσης (λαμβάνοντας υπόψη όλες τις συνιστώσες του κύκλου λειτουργίας όπως τους χρόνους που το εργαλείο είναι εκτός λειτουργίας και όταν βρίσκεται σε αδρανή λειτουργία πέραν του χρόνου ενεργοποίησης).

Μόνο για χώρες της Ευρώπης**Δήλωση Συμμόρφωσης ΕΚ****Η Makita δηλώνει ότι τα ακόλουθα μηχανήματα:**

Χαρακτηρισμός μηχανήματος:
Μηχανή γκαζόν με μπαταρία
Αρ. μοντέλου/ Τύπος: DLM380
Προδιαγραφές: βλ. πίνακα "ΤΕΧΝΙΚΑ ΧΑΡΑΚΤΗΡΙΣΤΙΚΑ".

συμμορφώνονται με τις ακόλουθες Ευρωπαϊκές Οδηγίες:

2000/14/ΕΚ, 2006/42/ΕΚ

Κατασκευάζονται σύμφωνα με τα ακόλουθα πρότυπα ή έγγραφα τυποποίησης:

EN60335

Το αρχείο τεχνικών στοιχείων, σύμφωνα με την Οδηγία 2006/42/ΕΚ, διατίθεται από:

Makita International Europe Ltd.
Τεχνικό Τμήμα,
Michigan Drive, Tongwell,
Milton Keynes, Bucks MK15 8JD, England (Αγγλία)

Η απαιτούμενη διαδικασία αξιολόγησης συμμόρφωσης βάσει της Οδηγίας 2000/14/ΕΚ ήταν σύμφωνη με το Παράρτημα VI.

Κοινοποιημένος φορέας:

TÜV Rheinland LGA Products GmbH
Tillystraße 2
90431 Nürnberg, Germany (Γερμανία)
Αριθμός αναγνώρισης 0197

Στάθμη ηχητικής ισχύος μέτρησης: 93 dB (A)

Εγγυημένη στάθμη ηχητικής ισχύος: 94 dB (A)

1.10.2013



Tomoyasu Kato
Διευθυντής
Makita Corporation
3-11-8, Sumiyoshi-cho,
Anjo, Aichi, 446-8502, JAPAN

Genel görünüşün açıklanması

1 Batarya kapağı kilitleme kolu	14 Dayanak noktası	27 Bıçak
2 Batarya kapağı	15 Alt tutamağı	28 Anahtar
3 Batarya kartuşu	16 Sıkma vidası	29 Kereste
4 Kilit anahtarı	17 Sıkılayın	30 Bıçak desteği
5 Yıldız işareti	18 Gevşetin	31 Düz rondela
6 Batarya göstergesi	19 Oluk	32 Yaylı rondela
7 Anahtar düğmesi	20 Üst tutamağı	33 Cıvata
8 Anahtar kolu	21 Delikler	34 Kanca
9 Biçme yüksekliği ayar kolu	22 Sıkıştırma somunu	35 Çim sepeti
10 Pimler	23 Kıvrık rondela	36 Tutamak
11 Çim seviyesi göstergesi	24 Vida	37 Arka koruma
12 Delik	25 Tutucu	
13 Çıkıntı	26 Kablo	

TEKNİK ÖZELLİKLER

Model		DLM380	
Biçme genişliği		380 mm	
Yüksüz hız		3.700 dak ⁻¹	
Boyutlar (B x E x Y)	çalışma sırasında	1.145 mm x 465 mm x 1.023 mm – 1.070 mm	
	saklama sırasında	680 mm x 470 mm x 505 mm	
Belirlenmiş voltaj		D.C. 36 V	
Standart batarya kartuşu (kartuşları) ⚠ Uyarı: Sadece açıklanan batarya kartuşunu (kartuşlarını) kullanın.		BL1815N	BL1830 / BL1840
Net ağırlık		14,5 kg	15,0 kg

- Sürekli yapılan araştırma ve geliştirmelerden dolayı, burada belirtilen özellikler önceden bildirimeksizin değiştirilebilir.
- Özellikler ve batarya kartuşu ülkeden ülkeye değişebilir.
- EPTA-Prosedürü 01/2003 uyarınca, batarya kartuşu dahil, ağırlık



END016-5

SEMBOLLER

Aşağıdakiler makinanız için kullanılan sembolleri göstermektedir. Kullanmadan önce manalarını anladığınızdan emin olunuz.

- ⚠ • Çok dikkatli kullanın.
- 📖 • El kitabını okuyun.
- ⚡ • Tehlike; sıçrayan nesnelere korunun.
- 👤 • Alet ile etrafındaki kişiler arasında en az 15 m olmalıdır.
- ⚠ • Ellerinizi ve ayaklarınızı asla makinenin altındaki bıçaklara yaklaştırmayın.

- Kontrol, ayarlama, temizleme, servis, kenara kaldırma ve depolama işlemlerinden önce kilit anahtarını çıkarın.

- Sadece AB ülkeleri için
Elektrik donanımını veya pilleri evsel atıklarla birlikte bertaraf etmeyiniz!
Atık Elektrikli ve Elektronik Donanımlar, bataryalar ve Akümülatörler ve Atık bataryalar ve Akümülatörler konusundaki Avrupa Direktifleri ve bunların ulusal yasalara uygulanmaları uyarınca, kullanım ömürleri biten elektrikli donanımların, bataryaların ve batarya takım(lar)ının ayrı toplanmaları ve çevreye uyumlu bir geri kazanım tesisine getirelmeleri gereklidir.

GEB091-6

ÖNEMLİ GÜVENLİK TALİMATLARI

⚠ **UYARI!** Tüm güvenlik uyarılarını ve tüm talimatları okuyun. Uyarılara ve talimatlara uyulmaması elektrik şoku, yangın ve/veya ciddi yaralanmalar ile sonuçlanabilir.

Tüm uyarıları ve talimatları ileride başvurmak için saklayın.

1. Kullanıma hazır oluncaya kadar anahtarını makineye takmayın.

2. Bu alet fiziksel, duyuşsal ya da zihinsel yetenekleri kısıtlı olan veya deneyim ya da bilgileri olmayan kişiler (ve çocuklar) tarafından kullanıma uygun değildir. Ancak, bu kişilerin güvenliklerinden sorumlu bir kişinin gözetimi ya da aletin kullanımına ilişkin talimatları doğrultusunda kullanılabilir.
3. Çocukların aletle oynamasına izin vermeyin.
4. Bu talimatlar konusunda bilgisi olmayan çocukların ve büyüklerin makineyi kullanmasına asla izin vermeyin. Yerel düzenlemeler kullanıcı yaşına sınırlandırmaya getirebilir.
5. Makineyi asla çevresinde insanlar, özellikle de çocuklar veya evcil hayvanlar varken kullanmayın.
6. Diğer insanlara ya da mallarına gelecek zararlardan ve kazalardan operatör ya da kullanıcının sorumlu olduğunu unutmayın.
7. Makineyi kullanırken daima uygun bir ayakkabı ve uzun pantolon giyin. Makineyi çıplak ayakla ya da açık sandaletlerle kullanmayın. Bol ya da askılı, bağcıklı kıyafetler veya takılar takılmaktan kaçının. Hareket eden parçalara takılabilir.
8. Makineyi sadece günışığında ya da iyi aydınlatma sağlanan yapay ışıkta kullanın.
9. Makineyi ıslak çim üzerinde kullanmayın.
10. Çim biçme makinesini yağmurlu havalarda asla kullanmayın.
11. Batarya aletinin kullanımı ve bakımı
 - Sadece üretici tarafından belirtilen şarj aleti ile şarj edin. Bir batarya kartuşu için uygun olan şarj cihazı başka bir batarya kartuşu ile kullanıldığında yangın riski oluşturabilir.
 - Elektrikli aletleri sadece özel olarak belirtilen batarya kartuşları ile kullanın. Başka batarya kartuşlarının kullanımı yaralanma ve yangın riski oluşturabilir.
 - Batarya kartuşu kullanımında olmadığı; kutuplar arasında bağlantıya sebep olabilecek ataç, para, anahtar, çivi, vida ya da benzeri küçük metal nesnelere uzak tutun. Batarya kutuplarının kısa devre yapması yangınlara ya da yangına neden olabilir.
 - Aşındırıcı koşullarda, bataryadan sıvı akabilir; temas etmeyin. Kaza sonucu temas ederseniz suyla durulayın. Sıvının gözle temas etmesi halinde tıbbi yardıma da başvurun. Bataryadan sızan sıvı tahrişe ya da yangınlara neden olabilir.
12. Tutamağı daima sıkıca tutun.
13. Eğimli yerlerde adımlarınıza dikkat edin.
14. Yürüyerek kullanın, asla koşmayın.
15. Aleti kaldırırken veya tutarken açıkta kalan keskin bıçakları ya da keskin kenarları tutmayın.
16. Fiziksel durum — Uyuşturucu, alkol ya da herhangi bir ilacın etkisinden dolayı çim biçme makinesini kullanmayın.
17. Korumaların yerinde ve çalışır durumunda olduğundan emin olun.
18. Ellerinizi ve ayaklarınızı dönen bıçaklardan uzak tutun. Dikkat — Kapatıldıktan sonra bıçaklar bir müddet boşta hareket edebilir.
19. Servis, temizlik ya da bahçe aletinden malzeme çıkarma sırasında anahtar çıkarın.
20. Sadece bu kılavuzda belirtilen üreticinin orijinal bıçaklarını kullanın.
21. Kullanmadan önce bıçaklarda çatlak ya da hasar olup olmadığını kontrol edin. Çatlak ya da hasarlı bıçakları hemen değiştirin.
22. Çim biçmeye başlamadan önce alanda kimsenin kalmadığından emin olun. Alana birisi girse çim biçme makinesini durdurun.
23. Kişisel yaralanmaları ve alete zarar gelmesini önlemek için taş, tel, şişe, kemik, kalın dallar gibi yabancı maddeleri çim biçmeye başlamadan önce alandan kaldırın.
24. Anormal bir durum fark ederseniz kullanımı derhal durdurun. Çim biçme makinesini kapatın ve anahtar aletten çıkarın. Ardından çim biçme makinesini kontrol edin.
25. Makine çalışırken asla tekerlek yüksekliği ayarı yapmaya çalışmayın.
26. Taşıt yollarından, kaldırımlardan, geçitlerden ve çakıl kaplı alanlardan geçmeden önce anahtar kolunu serbest bırakın ve bıçak dönüşünün durmasını bekleyin. Makineyi bıraktığımızda, yolunuza çıkan bir şeyi almak ya da kaldırmak için durduğunuzda ya da dikkatinizi dağıtacak herhangi bir olay olduğunda da anahtar çıkarın.
27. Çim biçme makinesinin yaptığı nesnelere etraftaki kişilerin ciddi şekilde yaralanmasına sebep olabilir. Her biçme işleminden önce çim kontrol edilmeli ve üzerindeki tüm nesnelere kaldırılmalıdır.
28. Çim biçme makinesi yabancı bir cisme çarparsa şu adımları izleyin:
 - Çim biçme makinesini durdurun, anahtar kolunu serbest bırakın ve bıçak tamamen durana kadar bekleyin.
 - Kilit anahtarını ve batarya kartuşunu çıkarın.
 - Çim biçme makinesinde hasar olup olmadığını dikkatlice kontrol edin.
 - Herhangi bir şekilde zarar görmüşse bıçağı yenisiyle değiştirin.
 Yeniden başlatmadan ve çim biçme makinesini kullanmaya devam etmeden önce herhangi bir hasar varsa onarın.
29. Arka sepeti aşınma ve yıpranmalara karşı sık sık kontrol edin. Saklırken arka sepetin boş olduğundan mutlaka emin olun. Güvenlik için, yıpranmış sepeti yeni bir orijinal sepet ile değiştirin.
30. Cihazı kullanmayı bıraktığınızda, makinenin sepetini temizlemeden önce ve herhangi bir tamir ya da kontrol işleminden önce motoru durdurun ve anahtar çıkarın.
31. Geri geri giderken ya da makineyi kendinize doğru çekerken çok dikkatli olun.
32. Çim dışındaki yüzeylerden geçerken makinenin eğilmesi gerekiyorsa ve makineyi kullanılacak alana ya da kullanılan alandan dışarı taşımak için bıçakları durdurun.
33. Makineyi hasarlı koruma veya siperle ya da deflektör ve/veya çim toplayıcı yerine takılı olmadan kullanmayın.
34. Motoru talimatlarla uygun olarak çalıştırın ve ayaklarınızı bıçaklardan uzak tutun.
35. Başlatma için makinenin eğilmesi gereken durumlar haricinde, motoru çalıştırırken makineyi eğmeyin. Eğmenin gerekli olduğu durumlarda gereken miktardan fazla eğmeyin ve sadece kullanıcının uzaktan olan kısmı kaldırın.

36. Boşaltma ağzının önünde dururken makineyi başlatmayın.
37. Ellerinizi veya ayaklarınızı dönen parçaların yakınına ya da altına koymayın. Boşaltma ağzından daima uzak durun.
38. Makine çalışırken bir yerden bir yere nakletmeyin.
39. Makineyi durdurun ve devre dışı bırakma aygıtını kaldırın. Şunları yapmadan önce hareket eden tüm parçaların tamamen durduğundan emin olun:
 - makineyi kullanmayı bıraktığınızda,
 - tıkanmaları temizlemeden ya da sepeti boşaltmadan önce,
 - kontrol etmeden, temizlemeden ve makine üzerinde çalışmadan önce,
 - yabancı bir cisme çarptığınızda. Makinede hasar olup olmadığını kontrol edin ve yeniden başlatmadan ve makineyi kullanmadan önce hasarları onarın.
40. Makine anormal şekilde titremeye başlarsa (hemen kontrol edin)
 - hasarları kontrol edin,
 - hasarlı parça varsa yenisiyle değiştirin veya tamir edin,
 - Gevşek parça olup olmadığını kontrol edin ve varsa sıkılayın.
41. Makineyi ayarlarken parmaklarınızı hareketli bıçaklar ile makinenin sabit parçaları arasına sıkıştırmamaya dikkat edin.
42. Eğimli bölgelerde çimleri enlemesine biçin, yukarı veya aşağı doğru biçmeyin. Eğimli bölgelerde yön değiştirirken çok dikkatli olun. Dik eğimli bölgelerdeki çimleri aşırı derecede biçmeyin.
43. Hortumla yıkamayın; motora ve elektrikli bağlantılara su kaçmasını önleyin.
44. Uygun şekilde sıkıldığından emin olmak için bıçak montaj civatasını belirli aralıklarla kontrol edin.
45. Güvenli bir çalışma için tüm somun, civata ve vidaların sıkı olduğundan emin olun.
46. Aleti depolamadan önce soğuduğundan emin olun.
47. Bıçaklarla ilgili işlem yaparken, güç kaynağı kapalı olsa da bıçakların hareket edebileceğini unutmayın.
48. Güvenlik için, aşınmış veya hasar görmüş parçaları yenisiyle değiştirin. Sadece orijinal yedek parça ve aksesuar kullanın.

BU TALİMATLARI SAKLAYIN.

⚠ UYARI:

Ürünü kullanırken (defalarca kullanınca kazanılan) rahatlık ve tanıdıklık duygusunun ilgili ürünün güvenlik kurallarına sıkı sıkıya bağlı kalmanıza yerine geçmesine İZİN VERMEYİN. YANLIŞ KULLANIM veya bu kullanma kılavuzunda belirtilen emniyet kurallarına uymama ciddi yaralanmaya neden olabilir.

ÖNEMLİ GÜVENLİK TALİMATLARI

BATARYA KARTUŞU HAKKINDA

1. Batarya kartuşunu kullanmadan önce, tüm talimatları ve (1) batarya şarj aleti, (2) batarya ve (3) bataryayı kullanan alet üstündeki tüm uyarıları okuyun.
2. Batarya kartuşunu sökmeyin.
3. Kullanım süresi çok kısalsırsa, kullanmayı derhal kesin. Bu aşırı ısınma, olası yanıklar ve hatta bir patlama riski sonucunu doğurabilir.
4. Eğer gözünüze elektrolit kaçarsa, temiz suyla yıkayın ve derhal tıbbi bakım arayın. Bunun sonucunda görme yeteneğinizi kaybedebilirsiniz.
5. Batarya kartuşunu kısa devre yaptırmayın:
 - (1) Kutuplara herhangi bir iletken madde değiştirmeyin.
 - (2) Batarya kartuşunu çiviler, madeni paralar, vb. gibi başka metal nesnelere aynı kaba koymaktan kaçının.
 - (3) Batarya kartuşunu yağmura ya da suya maruz bırakmayın.

Bataryada bir kısa devre büyük bir elektrik akımına, aşırı ısınmaya, olası yanıklara ve hatta bir bozulmaya neden olabilir.
6. Aleti ve batarya kartuşunu sıcaklığın 50°C ya da daha yükseğe ulaştığı yerlerde muhafaza etmeyin.
7. Batarya kartuşunu ciddi hasar görmüş ya da tamamen kullanılmaz hale gelmiş olsa bile ateşe atmayın. Batarya kartuşu ateşin içinde patlayabilir.
8. Bataryayı düşürmemeye ya da darbe almamasına dikkat edin.
9. Zarar gören bataryayı kullanmayın.
10. Bataryanın atılması ile ilgili olarak yerel düzenlemelere uyun.

BU TALİMATLARI SAKLAYIN.

Maksimum batarya ömrünü koruma için tavsiyeler

1. Batarya kartuşunu tamamen boşalmadan şarj edin.
Aletin gücünün zayıfladığını fark ettiğiniz zaman daima kullanmayı durdurarak batarya kartuşunu şarj edin.
2. Tam şarjlı bir batarya kartuşunu asla tekrar şarj etmeyin.
Fazla şarj etme bataryanın kullanım ömrünü kısaltır.
3. Batarya kartuşunu 10°C – 40°C oda sıcaklığında şarj edin.
Sıcak bir batarya kartuşunu şarj etmeden önce soğumasını bekleyin.
4. Uzun bir süre kullanmadığınız durumlarda pil kartuşunu altı ayda bir şarj edin.

İŞLEVSEL NİTELİKLER

Batarya kartuşunun takılması veya çıkarılması

⚠ DİKKAT:

- Batarya kartuşunun takılması ya da çıkarılmasından önce daima aleti kapatın.

- Kullanmadan önce batarya kapağını kilitlediğinizden emin olunuz. Aksi takdirde; çamur, kir veya su ürüne ya da batarya kartuşuna zarar verebilir.
- Batarya kartuşunu her zaman kırmızı gösterge görünmeyecek şekilde tam olarak yerine oturtun. Aksi takdirde, aletin üzerinden kazara düşerek sizin ya da çevrenizdekilerin yaralanmasına neden olabilir.
- Batarya kartuşunu zorlayarak takmaya çalışmayın. Kartuş kolayca kaymıyorsa doğru yerleştirilmemiş demektir.

NOT:

- Alet sadece bir batarya kartuşu ile çalışmaz.

Batarya kartuşunu takmak için;

1. Batarya kapağı kilitleme kolunu kendinize doğru çekin ve batarya kapağını açın. **(Şek. 1)**
2. Batarya kartuşunu takmak için, batarya kartuşunun üzerindeki dili yuvadaki olukla hizalayın ve kaydırarak yerine yerleştirin. Hafif bir tık sesiyle yerine kilitlene kadar iterek yerine yerleştirin. Düşmenin üst kısmındaki kırmızı göstergelyi görebiliyorsanız, tam olarak kilitlenmemiş demektir. **(Şek. 2)**
3. Kilit anahtarını şekilde gösterilen yere sonuna kadar girecek şekilde takın. **(Şek. 3)**
4. Batarya kapağını kapatın ve kilitleme kolu ile iterek kilitleyin.

Batarya kartuşunu makineden çıkartmak için;

1. Batarya kapağı kilitleme kolunu kendinize doğru çekin ve batarya kapağını açın.
2. Kartuşun önündeki düğmeyi kaydırırken kartuşu aletten dışarı kaydırın.
3. Kilit anahtarını çekip çıkarın.
4. Batarya kapağını kapatın.

Batarya koruma sistemi

Bu alet bir batarya koruma sistemi ile donatılmıştır. Bu sistem, aletin ve bataryanın ömrünü uzatmak için alete giden gücü otomatik olarak keser.

Alet ya da bataryada aşağıdaki durumlardan birinin oluşması durumunda alet çalışmayı otomatik olarak durdurur. Bazı durumlarda gösterge ışıkları yanar.

Aşırı yüklenme koruması

Alet anormal derecede yüksek akım çekmesine neden olan bir şekilde çalıştırıldığında, alet hiçbir belirti vermeden otomatik olarak durur. Bu durum söz konusuysa, aleti durdurun ve alete aşırı yük binmesine neden olan uygulamayı durdurun. Ardından yeniden başlatmak için anahtar tekrar açın.

Aşırı ısınma koruması

Alet veya batarya aşırı ısındığında, alet hiçbir belirti vermeden otomatik olarak durur. Alet açılmaya çalışılsa da çalışmaya başlamaz. Bu durumda, aleti tekrar çalıştırmadan önce alet ve bataryanın soğumasını bekleyin.

NOT:

- Batarya aşırı ısınma koruması sadece yıldız işaretli olan batarya kartuşlarında kullanılır. Aletin aşırı ısınma koruma sistemi her tür batarya kartuşu ile çalışır. **(Şek. 4)**

Aşırı boşaltma koruması (Şek. 5)

Kalan batarya kapasitesi çok düşük olduğunda, söz konusu batarya tarafından batarya göstergesi yanıp söner. Kullanıma devam edilirse, alet durur ve batarya göstergesi yaklaşık 10 saniye yanar. Bu durumda, batarya kartuşunu şarj edin.

Güç düğmesinin işleyişi

⚠️ UYARI:

- **Batarya kartuşunu alete takmadan önce, anahtar kolunun düzgün çalıştığından ve bırakıldığında orijinal pozisyona döndüğünden emin olun.** Anahtar düzgün bir şekilde çalışmayan bir aletle işlem yapmak kontrolün kaybedilmesine ve ciddi kişisel yaralanmalara neden olabilir.

NOT:

- Bir seferde çok fazla çim biçmeye çalışmak aşırı yüklenmeden dolayı motorun çalışmamasına neden olabilir. Bu gibi durumlarda, biçme yüksekliğini daha yüksek bir seviyeye ayarlayarak makineyi yeniden başlatın.
- Çim biçme makinesi, anahtar kolu çekilse de anahtar düğmesine basmadan çalışmaz.

Bu makine, kilit devresi ve kolu şalter ile donatılmıştır. Bu devrelerden herhangi birinde bir hata fark ederseniz, derhal kullanımı durdurun ve size en yakın Makita Yetkili Servis Merkezine kontrol ettirin.

1. Batarya kartuşlarını takın. Kilit anahtarını kilit devresine takın ve ardından batarya kapağını kapatın. **(Şek. 3)**
2. Anahtar düğmesine basın.
3. Anahtar düğmesine basarken anahtar kolunu kendinize doğru çekin.
4. Motor çalışmaya başlar başlamaz anahtar düğmesini serbest bırakın. Siz anahtar kolunu serbest bırakana kadar çim biçme makinesi çalışmaya devam edecektir. **(Şek. 6)**
5. Motoru durdurmak için anahtar kolunu serbest bırakın.
6. Makineyi kullanmadığınız zamanlarda, kilit anahtarını çıkarın. Kilit anahtarını çocukların erişemeyeceği güvenli bir yerde saklayın.

Biçme yüksekliğinin ayarlanması (Şek. 7)

⚠️ UYARI:

- Biçme yüksekliğini ayarlarken ellerinizi ve ayaklarınızı asla çim biçme makinesinin altına koymayın.
- Kullanmadan önce kolun oluğa tam olarak oturduğundan daima emin olun.

Biçme yüksekliği 25 mm – 75 mm aralığında ayarlanabilir.

1. Kilit anahtarını çıkarın.
2. Biçme yüksekliği ayarlama kolunu A tarafına doğru çekin. İstediğiniz biçme yüksekliğine getirin. Biçme yüksekliği ayar kolu üzerindeki pimlerin makine üzerindeki deliklere oturduğundan ve kolun B tarafına geri döndüğünden emin olun.

NOT:

- Biçme yüksekliğini gösteren rakamlar sadece bir kılavuz olarak kullanılmalıdır, çünkü çimin ya da zeminin durumu çim yüksekliği ayarlanan yükseklikten az bir miktar farklı olmasına neden olabilir.
- İstediğiniz yüksekliği elde etmek için az görünen bir yerdeki çimleri biçerek deneyin.

- Alet sıkıca tutulduğunda biçme yüksekliği ayar kolu daha kolay hareket eder. **(Şek. 8)**

Çim seviyesi göstergesi (Şek. 9)

- Çim seviyesi göstergesi biçilen çimin miktarını gösterir.
- Çim sepeti dolu olmadığında, biçme sırasında gösterge kayar.
 - Çim sepeti dolu olduğunda, biçme sırasında gösterge kaymaz. Bu durumda, biçme işlemini hemen durdurun ve sepeti boşaltın. Sepeti boşalttıktan sonra temizleyerek delikli kısımdan hava geçmesini sağlayın.

NOT:

- Bu gösterge yaklaşık bir fikir verecek şekilde kullanılmalıdır. Sepetin içindekilerin durumuna bağlı olarak düzgün çalışmayabilir.

MONTAJ

⚠ UYARI:

- **Makine üzerinde herhangi bir işlem yapmadan önce kilit anahtarını ve batarya kartuşunu çıkardığınızdan emin olun.** Kilit anahtarının ve batarya kartuşunun çıkarılmaması istemsiz olarak aletin başlatılması sonucu ciddi kişisel yaralanmalara neden olabilir.
- **Tamamen montajlanmadan önce aleti asla çalıştırmayın.** Montajı kısmen yapılmış durumdayken aletin kaza sonucu çalıştırılması ciddi kişisel yaralanmalara neden olabilir.

Batarya kapağının takılması

⚠ UYARI:

- Kilit anahtarını ve batarya kartuşunu batarya kapağını takmadan önce yerleştirmeyin. Bu kurala uymamak ciddi bir yaralanmaya sebep olabilir.

Aleti ve batarya kartuşunu çamur, kir ve sudan korumak için aleti çalıştırmadan önce batarya kapağını bataryayı tam olarak örtecek şekilde takın.

1. Alet üzerindeki çıkıntılarla batarya kapağının deliklerini hizalayarak batarya kapağını aletin üzerine yerleştirin. **(Şek. 10)**
2. Ellerinizi batarya kapağının ortasına koyarak bastırın. **(Şek. 11)**
3. İlk kullanımdan önce batarya kapağının dayanak noktasının düzgün şekilde takılıp takılmadığını kontrol edin. **(Şek. 12)**

Kolon takılması (Şek. 13, 14 ve 15)

⚠ UYARI:

- Tutamakları monte ederken, kabloları tutamaklar arasında herhangi bir şeye takılmayacakları şekilde konumlandırın.
- 1. Sıkıştırma vidalarını gevşetin (iki adet).
- 2. Alt tutamağı her iki tarafına doğru genişletin ve genişletilmiş konumdayken geri döndürüp gövde üzerindeki oluğa oturtun.
- 3. Alt tutamağı sabitlemek için her iki taraftaki sıkıştırma vidalarını sıkılayın.
- 4. Üst tutamağı kaldırın ve üst tutamaktaki vida deliklerini alt tutamaktakilerle hizalayın. Ardından, makineyle verilen vida, kıvrık rondela ve sıkıştırma somunlarını kullanarak sabitleyin.

NOT:

- Bu aşamada, üst tutamağı sıkıca kavrayarak elinizden düşmesini önleyin.

NOT:

- Üst tutamağı güç kaynağı kablosu ve üst tutamak şekilde gösterildiği gibi konumlanacak şekilde takın. **(Şek. 16)**

Bıçağın takılması ve çıkarılması (Şek. 17 ve 18)

⚠ UYARI:

- Bıçağı takıp çıkarırken kilit anahtarını ve batarya kartuşunu daima çıkarın. Kilit anahtarının ve batarya kartuşunun çıkarılmaması ciddi yaralanmalara sebep olabilir.
- Anahtar bırakıldıktan sonra bıçak birkaç saniye boşta dönebilir. Bıçağın tamamen durduğundan emin olun.
- Bıçak üzerinde bir işlem yaparken daima eldiven kullanın.
- 1. Çim biçme makinesini yükseklik ayar kolu üst tarafa gelecek şekilde yan yatırın.
- 2. Bıçağı kilitlemek için bir tornavidayı ya da benzeri bir aleti çim biçme makinesine sokun.
- 3. Cıvatayı anahtarla saatin aksi yönünde çevirerek gevşetin.
- 4. Cıvatayı, yaylı rondelayı, düz rondelayı ve bıçağı sırasıyla çıkarın.

Bıçağı takmak için, bıçak çıkarma prosedürünü tersten izleyin.

⚠ UYARI:

- Bıçağı alt/üst yüzeylerine dikkat ederek takın.
- Bıçağı sabitlemek için cıvatayı saat yönünde iyice sıkılayın.
- Bıçağı, dönen ok işaretli tarafı dışarı bakacak şekilde yerleştirin.
- Bıçağın iyi bir şekilde sabitlendiğinden emin olun.

Çim sepetinin takılması (Şek. 19 ve 20)

Kilit anahtarını çıkarın.

Çim biçme makinesinin arka korumasını kaldırın.

Çim sepetini çim biçme makinesinin üzerindeki oluğa takın.

KULLANIM

Çim biçme işlemi

⚠ UYARI:

- Çim biçmeye başlamadan önce alandaki kalın dalları ve taşları kaldırın. Ayrıca yabancı otları da biçme alanından önceden temizleyin.
- Çim biçme makinesini kullanırken yanları korumalı güvenlik gözlükleri takın.

Bıçak işleme sırasında, çim biçme makinesinin tutamağını iki elinizle sıkıca tutun.

Ön tekerleklerin orta noktaları arasındaki genişlik biçme aralığı konusunda kılavuzluk eder. Eşit seviyede bir biçme işlemi için, her seferinde, önceden biçilen alanın bir kısmının tekrar üzerinden geçecek şekilde çimleri biçin.

Çim sepetini sık sık kontrol edin ve dolmadan önce boşaltın. Her periyodik kontrolden önce, çim biçme makinesini durdurduğunuzdan ve kilit anahtarını ve batarya kartuşunu çıkardığınızdan emin olun.

NOT:

- Çim biçme makinesini çim sepeti dolu olarak kullanmak bıçakların düzgün bir şekilde dönmesini engeller ve motora aşırı yük bindirir, bu da aletin arızalanmasına sebep olabilir.

Uzamış çimlerin biçilmesi (Şek. 21)

Uzamış çimleri bir seferde biçmeye çalışmayın. Bunun yerine, alan eşit bir biçimde biçilene kadar çimleri bir-iki gün arayla aşamalı olarak biçin.

NOT:

- Uzamış çimlerin bir seferde kısaltılması çimin ölmesine ve/veya ana üniteyi tıkamasına sebep olabilir.

Çim sepetinin boşaltılması (Şek. 22)**⚠ UYARI:**

- Kaza riskini azaltmak için, çim sepetinde herhangi bir hasar ya da gücünde herhangi bir zayıflama olup olmadığını düzenli olarak kontrol edin ve gerekirse yenisiyle değiştirin.

1. Anahtar kolunu serbest bırakın.
2. Kilit anahtarını çıkarın.
3. Arka korumayı açın ve sepeti tutamağından tutarak çıkarın.
4. Çim sepetini boşaltın.

BAKIM VE SAKLAMA**⚠ UYARI:**

- Saklamadan ya da herhangi biri kontrol veya bakım işlemi yapmadan önce kilit anahtarının ve batarya kartuşunun çıkarıldığından mutlaka emin olun.
- Kontrol veya bakım işlemi yapmadan önce eldiven giyin.

⚠ DİKKAT:

- Benzin, tiner, alkol ve benzeri maddeleri kesinlikle kullanmayın. Renk değişimi, deformasyon veya çatlaklar oluşabilir.

BAKIM

1. KİLİT ANAHTARINI ÇIKARIN. Anahtarı çocukların erişiminden uzak güvenli bir yerde saklayın.
2. Makinenizi sadece yumuşak sabun ve nemli bir bez kullanarak temizleyin. Temizleme sırasında makinenin üzerine su sıkmayın ve dökmeyin.
3. Makineyi yan tarafına yatırın ve makine gövdesinin alt tarafında biriken çim parçalarını temizleyin.
4. Tüm somunların, cıvataların, düğmelerin, vidaların, mandalların vb. sıklığını kontrol edin.
5. Hareketli parçaları, hasar, kırılma ve aşınmalara karşı kontrol edin. Hasarlı veya eksik parçaları tamir ettirin.
6. Çim biçme makinesini saklamadan önce batarya kartuşunu çıkarın.
7. Çim biçme makinesini serin, kuru ve kilitli bir yerde saklayın. Makineyi ve kartuşu sıcaklığın 40°C'yi geçtiği ortamlarda saklamayın.

Saklama (Şek. 23, 24 ve 25)**⚠ UYARI:**

- Çim biçme makinesini taşıırken veya saklarken hem tutamaktan hem de çim biçme makinesinin ön kavrama kolundan tutun. Sadece tutamaklardan tutmak ciddi yaralanmalara veya çim biçme makinesine zarar gelmesine neden olabilir.

1. Sıkıştırma vidasını gevşetin, alt tutamağı her iki tarafa doğru genişletin ve ardından tutamağı öne doğru itin. Bu aşamada, üst kavrama kolundan sıkıca kavrayarak aletin üzerinden kayıp düşmesini önleyin.
2. Sıkıştırma somununu gevşetin ve üst tutamağı geri döndürün.

Ürünün EMNİYETLİ ve GÜVENİLİR durumda tutulması için tüm onarımlar, bakım ya da ayarlamalar Makita Yetkili Servis Merkezleri tarafından, daima Makita yedek parçaları kullanılarak yapılmalıdır.

SORUN GİDERME

Onarım için servise gitmeden önce aşağıdaki kontrolleri yapın. Kılavuzda açıklanmayan bir problemle karşılaşırsanız aleti demonte etmeyin. Bunun yerine, Makita Yetkili Servis Merkezlerine başvurun ve daima orijinal Makita yedek parçaları kullanın.

Arıza tanımı	Neden	Çözüm
Çim biçme makinesi başlatılmıyor.	İki batarya kartuşu takılı değil.	Şarj edilmiş batarya kartuşlarını takın.
	Batarya sorunu (voltaj yetersiz)	Batarya kartuşunu şarj edin. Şarj etmek işe yaramıyorsa, batarya kartuşunu değiştirin.
	Kilit anahtarı takılı değil.	Kilit anahtarını takın.
Kısa bir süre kullanımdan sonra motor duruyor.	Bataryanın şarj seviyesi düşük.	Batarya kartuşunu şarj edin. Şarj etmek işe yaramıyorsa, batarya kartuşunu değiştirin.
	Kesim yüksekliği çok düşük ayarlanmış.	Yüksekliği artırın.
Maksimum dev/dak oranına ulaşamıyor.	Batarya düzgün takılmamış.	Batarya kartuşunu kılavuzda açıklandığı gibi takın.
	Batarya gücü düşüyor.	Batarya kartuşunu şarj edin. Şarj etmek işe yaramıyorsa, batarya kartuşunu değiştirin.
	Sürüş sistemi doğru işlemiyor.	Yerel yetkili servis merkezinden yardım isteyin.
Kesici alet dönmüyor: Makineyi hemen durdurun!	Bıçağın kenarına yabancı bir cisim, örn. bir dal parçası takılmış.	Yabancı cismi çıkarın.
	Sürüş sistemi doğru işlemiyor.	Yerel yetkili servis merkezinden yardım isteyin.
Anormal vibrasyon: Makineyi hemen durdurun!	Bıçak dengesiz, aşırı derecede ya da bir tarafı daha fazla olacak şekilde aşınmış.	Bıçağı değiştirin.

014546

İSTEĞE BAĞLI AKSESUARLAR

ENG900-1

⚠ DİKKAT:

- Bu aksesuarlar ve ek parçalar bu el kitabında belirtilen Makita aletiniz ile kullanılmak için tavsiye edilmektedir. Herhangi başka bir aksesuar ya da ek parça kullanılması insanları için bir yaralanma riski getirebilir. Aksesuarları ya da ek parçaları yalnızca belirtilmiş olan kullanım amaçlarına uygun olarak kullanın.

Bu aksesuarlarla ilgili daha fazla bilgiye ihtiyaç duyarsanız bulunduğunuz yerdeki Makita Servis Merkezi başvurun.

- Bıçak
- Orijinal Makita batarya ve şarj aleti

NOT:

- Listedeki bazı parçalar standart aksesuar olarak ürün paketinin içine dahil edilmiş olabilir. Aksesuarlar ülkeden ülkeye farklılık gösterebilir.

ENG905-1

Gürültü

2000/14/EC standardına göre belirlenen tipik A-ağırlıklı gürültü düzeyi:

- Ses basınç seviyesi (L_{pA}): 81 dB (A)
- Ses gücü düzeyi (L_{WA}): 93 dB (A)
- Belirsizlik (K): 3 dB (A)

Kulak koruyucuları takın

Titreşim

EN60335 standardına göre hesaplanan titreşim toplam değeri (üç eksenli vektör toplamı):

- Titreşim emisyonu (a_{hv}): 2,5 m/s² den az
- Belirsizlik (K): 1,5 m/s²

ENG901-1

- Beyan edilen titreşim emisyon değeri standart test yöntemine uygun şekilde ölçülmüştür ve bir aleti bir başkasıyla karşılaştırmak için kullanılabilir.
- Beyan edilen titreşim emisyon değeri bir ön maruz kalma değerlendirmesi olarak da kullanılabilir.

⚠ UYARI:

- Bu elektrikli aletin gerçek kullanımı sırasındaki titreşim emisyonu aletin kullanım biçimlerine bağlı olarak beyan edilen emisyon değerinden farklı olabilir.
- Gerçek kullanım koşullarındaki maruz kalmanın bir tahmini hesaplaması temelinde operatörü koruyacak güvenlik önlemlerini mutlaka belirleyin (çalışma döngüsü içerisinde aletin kapalı olduğu ve aktif durumda olmasının yanı sıra boşta çalıştığı zamanlar gibi, bütün zaman dilimleri göz önünde bulundurularak değerlendirilmelidir).

Sadece Avrupa ülkeleri için**EC Uygunluk Beyanı**

Sorumlu imalatçı olarak biz Makita Corporation beyan ederiz ki aşağıdaki Makita makine(ler):

Makine Adı:
Akülü Çim Bıçme Makinesi
Model No./ Tipi: DLM380
Teknik Özellikler: "TEKNİK ÖZELLİKLER" tablosuna bakınız.

aşağıdaki Avrupa Direktiflerine uygundur:

2000/14/EC, 2006/42/EC

aşağıdaki standartlara veya standartlaştırılmış belgelere uygun olarak imal edilmişlerdir:

EN60335

2006/42/EC uyumluluğuna ilişkin teknik dosyaya şuradan ulaşılabilir:

Makita International Europe Ltd.
Teknik Departman,
Michigan Drive, Tongwell,
Milton Keynes, Bucks MK15 8JD, England

2000/14/EC Direktifi uyarınca gereken uygunluk değerlendirmesi prosedürü ek VI'ya uygundur.

Onaylanmış Kuruluş:

TÜV Rheinland LGA Products GmbH
Tillystraße 2
90431 Nürnberg, Almanya
Tanımlama numarası 0197

Ölçülen Ses Gücü Seviyesi: 93 dB (A)

Garanti Edilen Ses Gücü Seviyesi: 94 dB (A)

1.10.2013



Tomoyasu Kato
Müdür

Makita Corporation
3-11-8, Sumiyoshi-cho,
Anjo, Aichi, 446-8502, JAPAN

Makita Corporation
Anjo, Aichi, Japan

885328A992

www.makita.com

IDE