

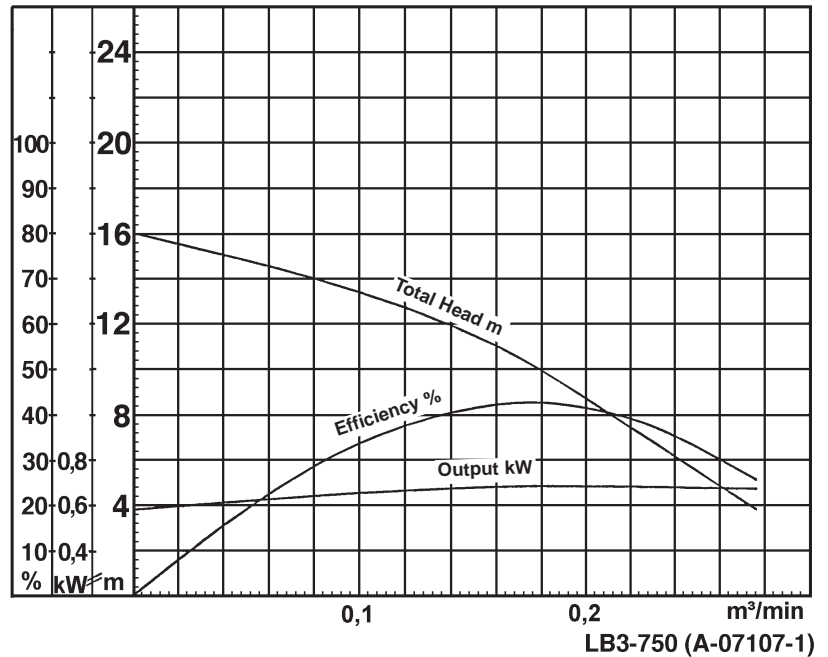
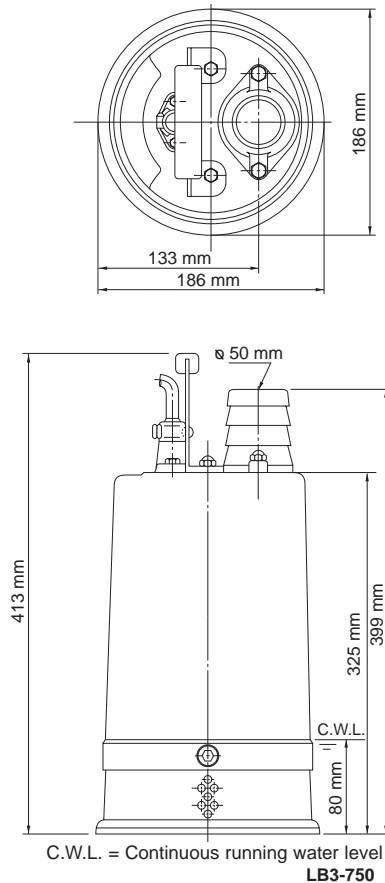


TSURUMI PUMP

LB3-750

- data sheet
 - parts list
 - exploded view
 - dimensional drawing
 - sectional drawing
 - performance curve
-
- parts list as Excel-spreadsheet

Data Sheet LB3-750



Classification

Electric submersible pump
Protection class IP68
Depth of submersion max. 20m
Open type impeller
Max. solid handling 6mm
Suitable for rain water, font water, ground water, sand carrying water

Electric Motor

Dry-type submersible induction motor
Insulation class E, 2 poles, 2850 r.p.m.
Capacitor start
Voltage: 110V/230V, 50Hz, 1-phase
Power input: 1,15kW
Power output: 0,75kW
Nominal current: 13,9A(110V) / 6,3A(230V)
Start current: 46,0A(110V) / 21,0A(230V)

Electric Cable

10m HO7RN-F 3Cx1,5mm² (110V)
10m HO7RN-F 3Cx1mm² (230V)

Motor Protection

Circle thermal protector
(snap-action bi-metal device)

Shaft Seal

Double mechanical seal in oil bath
Primary Seal:
silicon carbide on ceramic
Secondary Seal:
ceramic on carbon

Bearings

Shielded ball bearings, maintenance-free

Materials

Impeller: FCD450 (EN-GJS-450)
Casing: FC200 (EN-GJL-200)
Suction cover: Steel plate
Motor frame: Steel plate
Shaft: SUS403 (EN-X6Cr13)

Discharge Connection

2" (50mm) BS-Coupling (threaded flange)

Weight

18,1 kg (dry weight of the pump without cable)

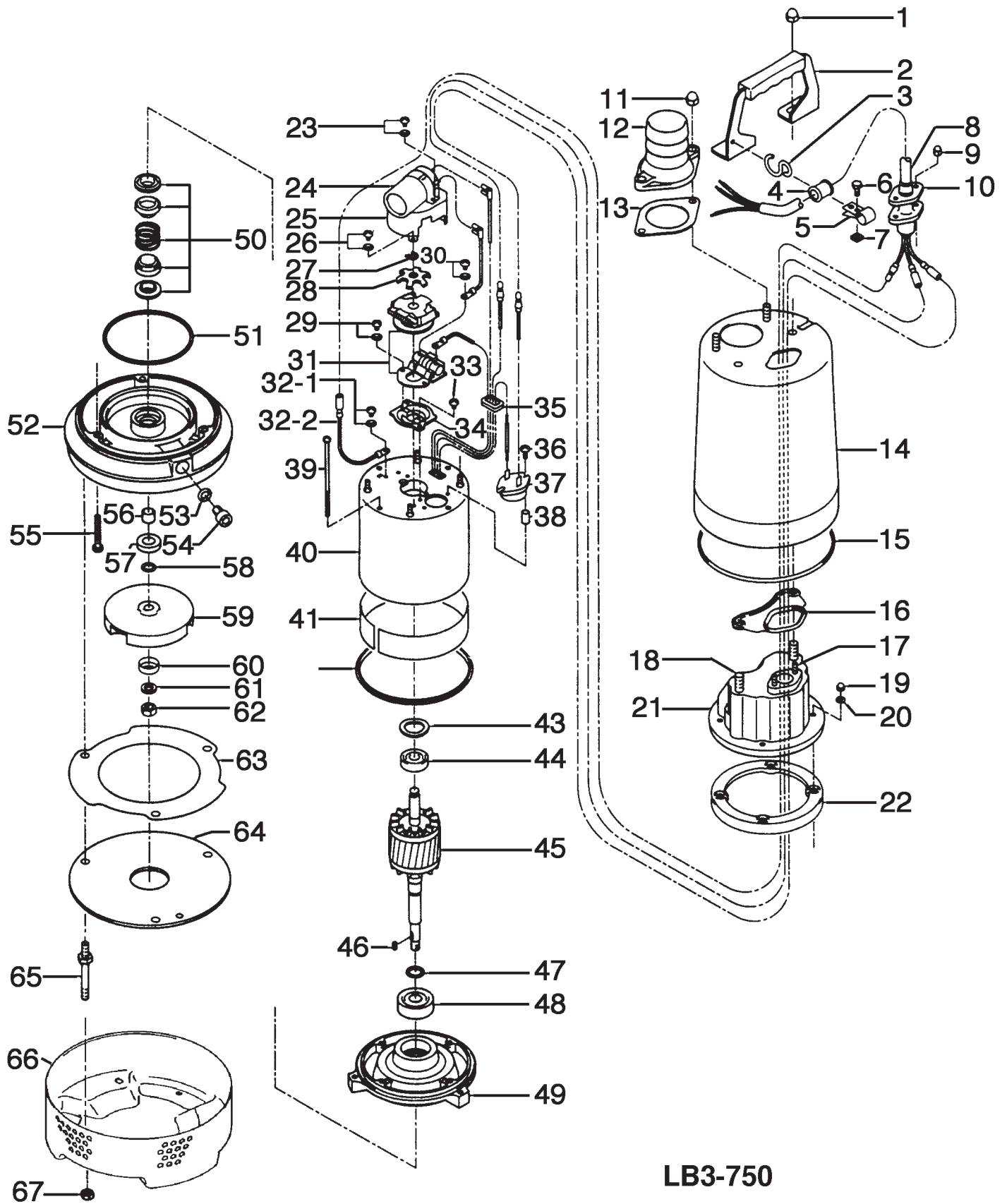
LB3-750

Control No. ILB

5.06.2005

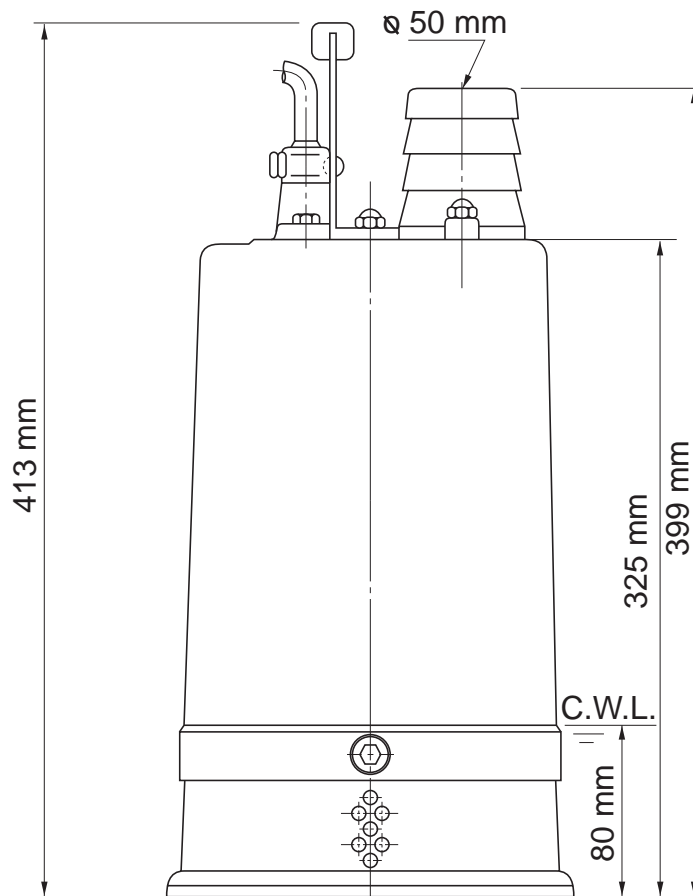
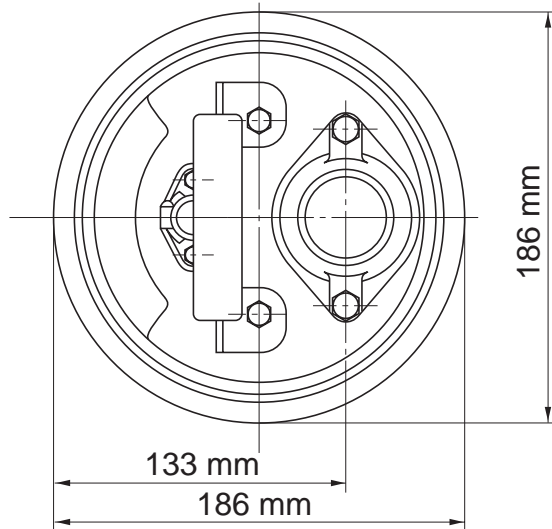
ITEM	CODE No.	DESCRIPTION	Q'TY	SIZE	MATERIAL	REMARKS
1	141-030-38	Hex. Cap Nut	2	M8(B=12)	SUS304	
2	068-289-18	Handle	1	LBA3-250/480	SPC+NBR	
3	011-100-18	Shackle	1	S-8	SS	
4	010-126-17	Cable Clip Rubber	1	HS2	NBR	
5	010-105-10	Cable Clamp	1	SB	SPC	
6	140-018-37	Hex. Bolt	1	M5x15	SWRM	
7	141-026-15	Square Nut	1	M5	S20C	
8	001-453-18	Cabtyre Cable	10m	H07RN3Cx1mm ² (w/ plug)	HAR	230V
8	001-873-18	Cabtyre Cable	10m	H07RN3Cx1,5mm ² (w/o plug)	HAR	110V
9	141-028-33	Hex. Cap Nut	2	M5	SWRM	
10	003-100-13	Gland	1		SUS304	
11	141-030-38	Hex. Cap Nut	2	M8(B=12)	SUS304	
12	032-330-14	Hose Coupling	1	50mm(LB)	ADC	
12	032-433-18	Screwed Flange	1	50mm		
13	121-138-19	Packing	1	LB(P.C.84)	NBR	*
14	065-233-18	Outer Cover	1	LB2-480	SPC	
15	122-274-11	O-Ring	1	159,5xø2,5	NBR	*
16	121-444-24	Sheet Packing	1	LB2-750	NBR	*
17	144-469-13	Stud Bolt	2	M5x22	SUS304	
18	144-308-26	Stud Bolt	2	M8x25	SUS304	
19	141-028-17	Hex. Cap. Nut	4	M5	SUS304	
20	141-125-18	Plain Washer	4	M5	SUS304	
21	051-133-14	Head Cover	1		ADC	
22	121-249-14	Packing	1	LB-400(E)	NBR	*
23	143-124-10	Cross-Recessed Pan Screw	1	M4x6	SWRM	
24	076-138-16	Capacitor	1	170MFD-125VAC		
25	078-102-17	Centrifugal Switch Cover	1	LB-400(E)	SPC	
26	143-124-10	Cross-Recessed Pan Screw	2	M4x6	SWRM	
27	145-002-17	Snap Retainer	1	ø10	SUS304	
28	142-207-15	Finger Spring	1	ø10,5	SK-5	
29	143-124-10	Cross-Recessed Pan Screw	2	M4x6	SWRM	
30	143-076-29	Cross-Recessed Pan Screw	2	M3x6	SWRM	
31	077-109-11	Centrifugal Switch	1 Set	MS-3-2		
32-1	143-085-34	Cross-Recessed Pan Screw	1	M4x6	BSBM	
32-2	009-000-01	Earth Terminal	1			
33	143-124-10	Cross-Recessed Pan Screw	2	M4x6	SWRM	
34	062-185-15	Bearing Fixing Plate	1	LB	SECC	
35	016-110-16	Lead Wire Protection Bush	1	LB-400(E)	NBR	
36	143-114-17	Cross-Recessed Truss Screw	2	M4x16	SWRM	
37	053-393-10	Motor Protector	1	MEA-98123	(H)	
38	071-174-19	Spacer	2	ø6x6lx0,5t	spc	
39	143-119-12	Cross-Recessed Pan Screw	4	M5-127	SWRM	
40	056-618-13	Stator and Frame 230V/50Hz	1 Set	230V/50Hz		
40	056-614-19	Stator and Frame 110V/50Hz	1 Set	110V/50Hz		
41	071-206-11	Collar	1	29l	SECC	
42	121-244-19	Packing	1	LB-400(E)	NBR	*
43	142-192-16	Wave Washer	1	#6201	SK-5	
44	052-100-15	Bearing	1	6201ZZC3		
45	055-619-11	Rotor and Shaft	1 Set			
46	147-016-10	Impeller Key	1	4x4x10l	SUS	
47	061-157-15	Bearing Collar	1	ø15,1xø21x1,6t	SPC	
48	052-152-12	Bearing	1	6302ZZC3		
49	060-372-15	Bearing Housing	1		FC	
50	025-290-19	Mechanical Seal	1	W-14HL	SIC+CCBN	Oil (ISO VG32 210ml)
51	122-131-15	O-Ring	1	G-100	NBR	*
52	020-B48-16	Pump Casing	1	LB3-750	FC	
53	121-246-11	Packing	1	ø10,3xø16x2t	PE-sheet	*
54	035-124-12	Oil Plug	1	M10x15	SUS304	
55	140-259-16	Hex. Socket Cap Screw	3	M6x50	SUS304	
56	071-112-19	Shaft Sleeve	1	ø11xø14,8x11l	SUS430	
57	026-100-14	Oil Seal	1	SC-15287	NBR	
58	040-100-18	Impeller Shirr		ø11,2xø17x0,3t	SUS304	
59	021-E17-12	Impeller	1	50Hz	FCD	
59	021-E16-11	Impeller	1	60 Hz	FCD	
60	047-108-20	Impeller Thread Protection Cover	1	No.1(ø10,5)	SUS304	
61	142-164-19	Spring Washer	1	M10	SUS304	
62	141-006-77	Hex. Nut	1	M10	S45C	
63	120-174-14	Suction Cover Packing	1	ø120xø190x0,6t	T-Sheet	*
64	022-839-17	Suction Cover	1	LB3-750	SPC	
65	144-569-14	Stud Bolt	3	M8x65(15/18)	SUS403	
66	023-503-12	Strainer Stand	1	LB3-250/480	SPC	
67	140-483-11	Hex. Bolt	3	M8	S35C	
*	173-566-11	Packing O-Ring Set	1 Set	(*)		

Exploded View LB3-750



LB3-750

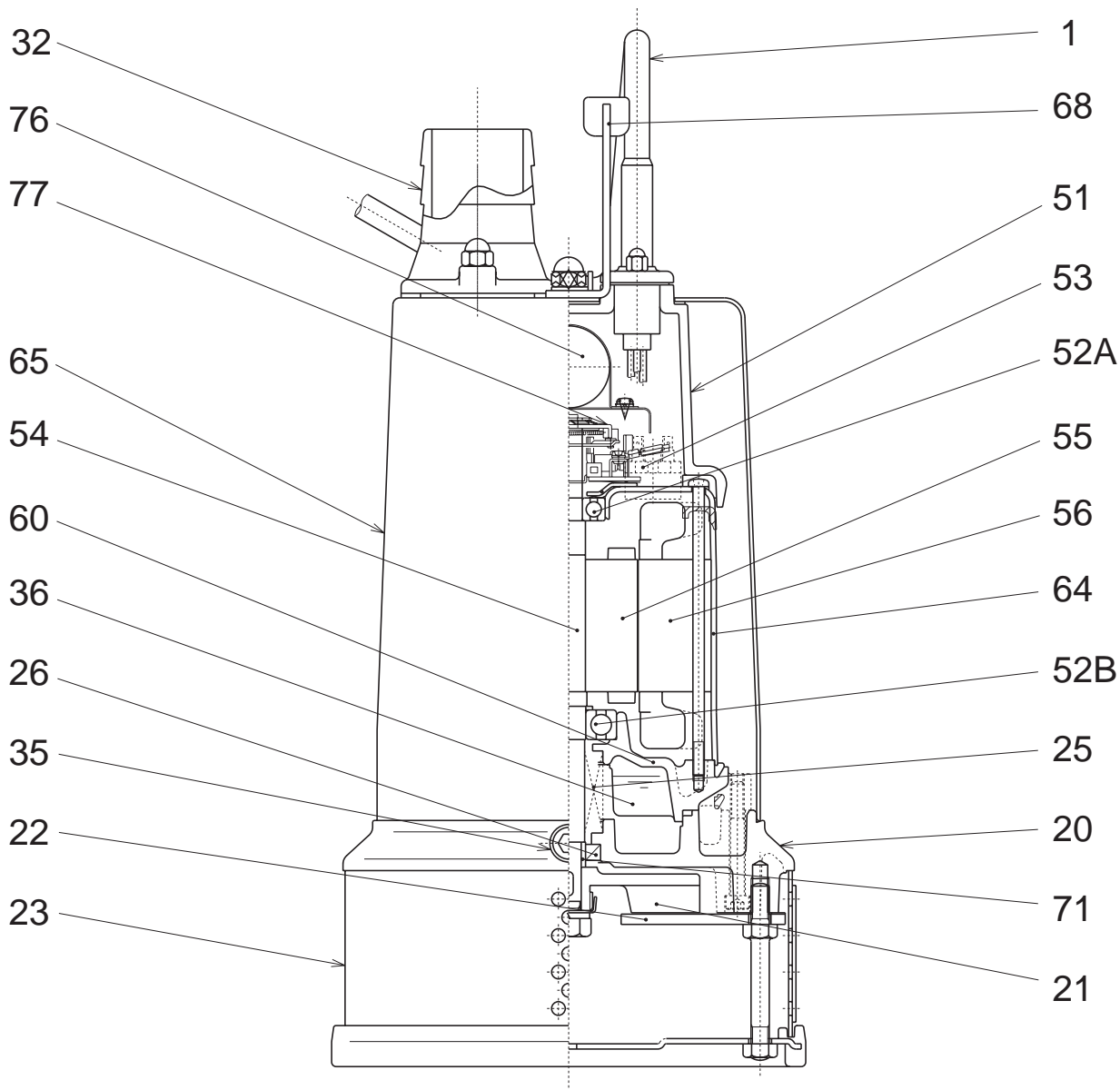
Dimensional Drawing LB3-750



CWL: Continuous Running Water Level

LB3-750

Sectional Drawing LB3-750



LB3-750

No.	Description	Qty.	Remarks	No.	Description	Qty.	Remarks
1	Cabletyre Cable	1	H07RN-F	52B	Lower Bearing	1	6302ZZC3
20	Pump Casing	1	FC200 (EN-GJL-200)	53	Motor Protector	1	
21	Impeller	1	FCD450 (EN-GJS-450)	54	Shaft	1	SUS403 (EN-X6Cr13)
22	Suction Cover	1	Steel Plate	55	Rotor	1	
23	Strainer	1	Steel Plate	56	Stator	1	
25	Mechanical Seal	1	W-14HL	60	Bearing Housing	1	FC150 (EN-GJL-150)
26	Oil Seal	1	SC15287	64	Motor Frame	1	Steel Plate
32	Hose Coupling	1	Aluminium Alloy Casting	65	Outer Cover	1	Steel Plate
35	Oil Plug	1	SUS304 (EN-X5CrNi18-10)	68	Handle	1	Steel Plate & Rubber
36	Lubricant		Turbine Oil (ISO VG32)	71	Shaft Sleeve	1	SUS430 (X6Cr17)
50	Motor Bracket	1	Steel Plate	76	Capacitor	1	
51	Head Cover	1	Aluminium Alloy Casting	77	Centrifugal Switch	1	
52A	Upper Bearing	1	6201ZZC3				

Pump Performance Curve

LB3-750

Discharge Bore	50 mm
Total Head	max. 16 m
Capacity	max. 0,3 m ³ /min
Motor Output	0,75 kW
Motor Input	1,15 kW
Phase	1
Voltage	110/230 V
Frequency	50 Hz
Rated Current	13,9/6,3 A
Starting Current	46,0/21,0 A
Poles	2
Revolution	S.S. 2850 r.p.m.
Starting Method	Capacitor
Insulation Class	E

