

# B-SERIES MINI EXCAVATORS

CX26B | CX30B | CX35B | CX39B | CX45B | CX50B | CX55B

## Specifications CX26B/CX30B ZTS

### Model code

Cab \_\_\_\_\_ CX26MC / CX30MC  
Canopy \_\_\_\_\_ CX26MR / CX30MR

### Engine

Displacement \_\_\_\_\_ 1331 cm<sup>3</sup>  
Power \_\_\_\_\_ 23 hp  
Max torque \_\_\_\_\_ 80,1 Nm  
Emissions level \_\_\_\_\_ Not regulated in EU

### Hydraulic system

Variable displacement pumps type \_\_\_\_\_ axial piston  
Flow delivery \_\_\_\_\_ 2 x 26,4 l/min  
Gear pump delivery \_\_\_\_\_ 14,3 l/min  
Maximum operating pressure \_\_\_\_\_ 230 bar  
Auxiliary Flow \_\_\_\_\_ 40.7 l/min  
Auxiliary Pressure \_\_\_\_\_ 230 bar

### Slewing & travel speed

Slewing speed \_\_\_\_\_ 8,7 / 8,8 rpm  
Boom slewing angle (left/right) \_\_\_\_\_ 60° / 55°  
Travel Speed - Low (1st) \_\_\_\_\_ 2,3 km/h  
Travel Speed - High (2nd) \_\_\_\_\_ 4,1 km/h

## Specifications CX45B ZTS/CX50B ZTS

### Model code

Cab \_\_\_\_\_ CX45MC / CX50MC

### Engine

Displacement \_\_\_\_\_ 2189 cm<sup>3</sup>  
Power \_\_\_\_\_ 43 hp  
Max torque \_\_\_\_\_ 139,3 Nm  
Emissions level \_\_\_\_\_ Stage IIIA

### Hydraulic system

Variable displacement pumps type \_\_\_\_\_ axial piston  
Flow delivery \_\_\_\_\_ 2 x 57,1 l/min  
Gear pump delivery \_\_\_\_\_ 33,8 l/min  
Maximum operating pressure \_\_\_\_\_ 230 bar  
Auxiliary Flow \_\_\_\_\_ 57.1 l/min  
1st and 2nd Auxiliary Pressure \_\_\_\_\_ 230 bar

### Slewing & travel speed

Slewing speed \_\_\_\_\_ 8,8 rpm  
Boom slewing angle (left/right) \_\_\_\_\_ 70°/60°  
Travel Speed - Low (1st) \_\_\_\_\_ 2,8 km/h  
Travel Speed - High (2nd) \_\_\_\_\_ 4,6 km/h

## Specifications CX35B/CX39B ZTS

### Model code

Cab \_\_\_\_\_ CX35MC / CX39MC  
Canopy \_\_\_\_\_ CX35MR / CX39MR

### Engine

Displacement \_\_\_\_\_ 1642 cm<sup>3</sup>  
Power \_\_\_\_\_ 30 hp  
Max torque \_\_\_\_\_ 98,4 Nm  
Emissions level \_\_\_\_\_ Stage IIIA

### Hydraulic system

Variable displacement pumps type \_\_\_\_\_ axial piston  
Flow delivery \_\_\_\_\_ 2 x 38,4 l/min  
Gear pump delivery \_\_\_\_\_ 20,6 l/min  
Maximum operating pressure \_\_\_\_\_ 230 bar  
Auxiliary Flow \_\_\_\_\_ 59 l/min  
Auxiliary Pressure \_\_\_\_\_ 230 bar

### Slewing & travel speed

Slewing speed \_\_\_\_\_ 8,9 rpm  
Boom slewing angle (left/right) \_\_\_\_\_ 70° / 60°  
Travel Speed - Low (1st) \_\_\_\_\_ 2,5 km/h  
Travel Speed - High (2nd) \_\_\_\_\_ 4,5 km/h

## Specifications CX55B

### Model code

Cab \_\_\_\_\_ CX55MC

### Engine

Displacement \_\_\_\_\_ 2189 cm<sup>3</sup>  
Power \_\_\_\_\_ 43 hp  
Max torque \_\_\_\_\_ 139,3 Nm  
Emissions level \_\_\_\_\_ Stage IIIA

### Hydraulic system

Variable displacement pumps type \_\_\_\_\_ axial piston  
Flow delivery \_\_\_\_\_ 2 x 57,1 l/min  
Gear pump delivery \_\_\_\_\_ 33,8 l/min  
Maximum operating pressure \_\_\_\_\_ 230 bar  
Auxiliary Flow \_\_\_\_\_ 57.1 l/min  
Auxiliary Pressure \_\_\_\_\_ 230 bar

### Slewing & travel speed

Slewing speed \_\_\_\_\_ 8,8 rpm  
Boom slewing angle (left/right) \_\_\_\_\_ 70°/60°  
Travel Speed - Low (1st) \_\_\_\_\_ 2,8 km/h  
Travel Speed - High (2nd) \_\_\_\_\_ 4,6 km/h

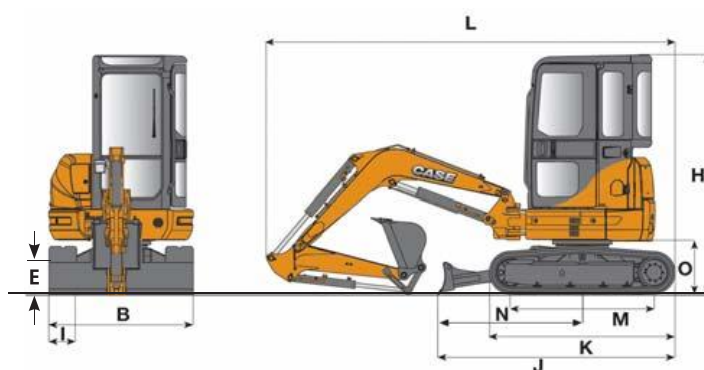
# B-SERIES MINI EXCAVATORS

CX26B | CX30B | CX35B | CX39B | CX45B | CX50B | CX55B

## Operating weight (includes operator, full fuel tank and one bucket)

Dipper	Type	CX26B	CX30B	CX35B	CX39B	CX45B	CX50B		CX55B
		ZTS	ZTS	ZTS	ZTS	ZTS	ZTS	ZTS	
		Standard	Standard	Standard	Standard	Standard	Short	Long	Standard
Cab	tonnes	2.70	2.84	3.50	3.90	4.54	4.92	4.95	5.30
Canopy	tonnes	2.38	2.70	3.36	3.76	N.A.	N.A.	N.A.	N.A.

## General dimensions



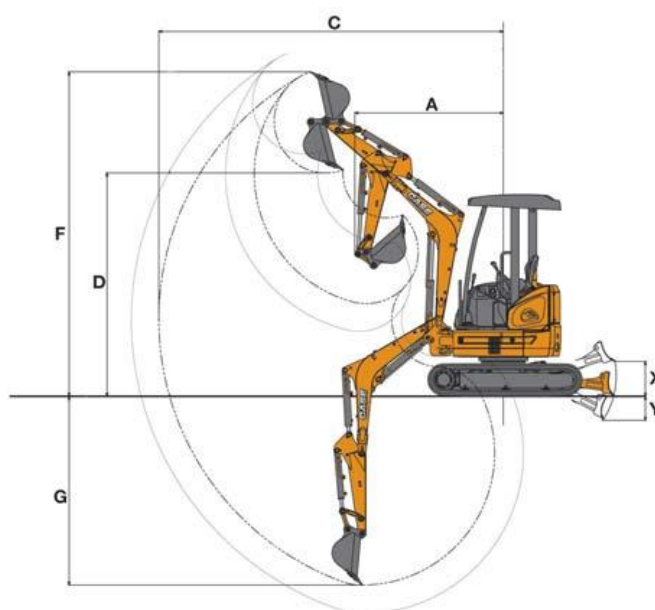
\* Canopy 700 mm / Cab 740 mm

		CX26B	CX30B	CX35B	CX39B	CX45B	CX50B		CX55B
		ZTS	ZTS	ZTS	ZTS	ZTS	ZTS	ZTS	
		Standard	Standard	Standard	Standard	Standard	Short	Long	Standard
Rear end swing radius	mm	700 / 740 *	750	775	850	980	980	980	1080
I Track width	mm	250	250	300	300	400	400	400	400
J Undercarriage length	mm	2260	2410	2550	2680	2780	2910	2910	2910
O Height to uppercarriage	mm	480	520	570	570	635	635	635	635
K Track length on ground	mm	1870	1980	2000	2150	2330	2480	2480	2480
M Center distance of tumblers	mm	1490	1590	1540	1700	1820	1970	1970	1970
N Blade radius on ground	mm	1350	1440	1550	1600	1621	1690	1690	1690
X Blade max lifting	mm	425	445	560	540	505	495	495	495
Y Blade max lowering	mm	290	335	410	440	325	375	375	375
E Blade height	mm	300	300	345	345	345	345	345	345

## Transport Feature (weight is with full fuel tank, without operator, without bucket)

		CX26B	CX30B	CX35B	CX39B	CX45B	CX50B		CX55B
		ZTS	ZTS	ZTS	ZTS	ZTS	ZTS	ZTS	
		Standard	Standard	Standard	Standard	Standard	Short	Long	Standard
Weight (Cab)	ton	2.59	2.73	3.34	3.74	4.35	4.73	4.76	5.11
Weight (Canopy)	ton	2.27	2.59	3.20	3.60	N.A.	N.A.	N.A.	N.A.
B Max width	mm	1400	1500	1550	1700	1960	1960	1960	1960
L Max length	mm	3820	4130	4390	4710	5000	5230	5370	5370
H Max height	mm	2460	2500	2570	2570	2600	2600	2600	2600

# Digging performance



		CX26B ZTS	CX30B ZTS	CX35B ZTS	CX39B ZTS	CX45B ZTS	CX50B ZTS		CX55B
		Standard	Standard	Standard	Standard	Standard	Short	Long	Standard
Dipperstick	mm	1.330	1.370	1.470	1.590	1.700	1.560	1.870	1.870
Bucket thickness	mm	450	600	500	600	650	700	700	700
Dipperstick Breakout force	kN	12.0	13.0	15.0	17.0	20.0	26.3	23.6	23.6
Bucket Breakout force	kN	19.3	22.0	27.4	27.4	35.3	35.3	35.3	35.3
G Max digging depth	mm	2.650	2.790	3.100	3.350	3.660	3.590	3.900	3.900
A Min front slew radius (Cab/Canopy)	mm	2.070/1.900	2.080/1.880	2.480/2.000	2.560/2.070	2.430	2.560	2.580	2.580
C Max reach	mm	4.520	4.890	5.200	5.500	5.920	5.890	6.190	6.190
D Max dump height (Cab/Canopy)	mm	2.65 /2.950	3.170/3.380	2.950/3.550	3.150/3.760	3.790	3.680	3.840	3.840
F Max digging height (Cab/Canopy)	mm	3.850/4.190	4.470/4.690	4.300/4.960	4.490/5.160	5.340	5.210	5.380	5.380

## Lifting capacity at 2 meters from swing center

Lifting capacity in tonnes	CX26B ZTS		CX30B ZTS		CX35B ZTS		CX39B ZTS		CX45B ZTS		CX50B ZTS		CX50B** ZTS		CX55B	
	2.0 m		2.0 m		2.0 m		2.0 m		2.0 m		2.0 m		2.0 m		2.0 m	
DEPTH LEVEL																
Ground	0.9	0.6	1.1	0.8	1.1	0.9	1.4	1.3	1.4	1.4	1.7	1.7	1.6	1.6	1.9	1.9
1 m below ground	1.0	0.7	1.1	0.8	1.1	0.9	1.6	1.3	2.1	1.6	2.8	1.9	2.8	1.8	2.9	2.2
2 m below ground	0.7*	0.7*	0.7	0.7	1.1	0.9	1.5	1.4	2.1	1.7	2.9	2.0	2.8	1.9	3.7	2.2

\* 1.5 m below ground / \*\* Long Arm

NOTE: the dimensions, weights and capacities shown herein, as well as any conversion date used, are approximate only and are subject to variations within normal manufacturing techniques.

# Optional Equipment

Part	Description	CX26B ZTS	CX30B ZTS	CX35B ZTS	CX39B ZTS	CX45B ZTS	CX50B ZTS	CX55B
747973	QUICK CONNECTOR FOR 1 <sup>ST</sup> AUXILIARY CIRCUIT	X	X	X	X	X	X	X
747630	BUCKET 300 mm	X	X					
747633	BUCKET 350 mm	X	X					
747636	BUCKET 450 mm	X	X					
747639	BUCKET 500 mm	X	X					
747625	BUCKET 600 mm	X	X					
747940	OBJECT HANDLING 2-2.5 TON	X	X					
747631	BUCKET 300 mm			X	X			
747634	BUCKET 350 mm			X	X			
747637	BUCKET 450 mm			X	X			
747640	BUCKET 500 mm			X	X			
747641	BUCKET 600 mm			X	X			
747626	BUCKET 700 mm			X	X			
747936	OBJECT HANDLING 3-3.5 TON			X	X			
747939	AIR CONDITIONING 3-3.5 TON			X	X			
747977	CAB FRONT GUARD (cab models only)			X	X	X	X	X
747974	2nd AUXILIARY CIRCUIT			X	X	X	X	X
747638	BUCKET 450 mm					X	X	X
747628	BUCKET 550 mm					X	X	X
747642	BUCKET 600 mm					X	X	X
747629	BUCKET 650 mm					X	X	X
747643	BUCKET 700 mm					X	X	X
747627	BUCKET 750 mm					X	X	X
747934	OBJECT HANDLING 4-5 TON					X	X	X
747938	AIR CONDITIONING 4-5 TON					X	X	X
747328	ARM SHORT						X	
747333	ARM LONG						X	X
9552600	CRAWLER RUBBER						X	X
9553600	CRAWLER STEEL						X	X

Standard and optional equipment shown can vary by country. Product pictures may be different from local markets configurations.